



Hoffman Parts & Warehouse

IN-STOCK CATALOG

— 2026 —



Shop Your Way



Online: Convenient job-site delivery or pickup. Order online and have items brought straight to your door. Fast, reliable, and hassle-free.



In-Store: Our showroom lets you see quality, compare options, and get personal guidance from knowledgeable staff who are here to help you find exactly what you need.



Phone: Prefer personal assistance? Call our team at **(800) 928-9415** and place your order with a product specialist who can help you choose exactly what you need.



On Site: Our field specialists can visit your location for product recommendations, custom solutions, and support tailored specifically to your workspace or project.



Pickup

OR



Delivery



SHOP ONLINE NOW!



Need help with commercial equipment?
Call (980) 501-5659

Greensboro, NC

3816 Patterson Street
Greensboro, NC 27407
Phone: 800-334-0254

warehouse@hoffman-hoffman.com

Richmond, VA

2117 Westwood Avenue
Richmond, VA 23230
Phone: 804-272-1500

rch.whse@hoffman-hoffman.com

Columbia, SC

1 Southern Court
West Columbia, SC 29169
Phone: 803-451-8355

col.whse@hoffman-hoffman.com

Charlotte, NC

1133 Upper Asbury Lane
Charlotte, NC 28206
Phone: 800-928-9415

clt.whse@hoffman-hoffman.com

Roanoke, VA

2708 Shenandoah Avenue NW
Roanoke, VA 24017
Phone: 800-236-3656

roa.whse@hoffman-hoffman.com

TABLE OF CONTENTS

I. HVAC EQUIPMENT & ACCESSORIES

Residential Equipment	1-5
Commercial Packaged Roof Units & Accessories.....	6-10
Smoke Detectors.....	11
Commercial Split Systems.....	12
Mini Splits & Accessories.....	13-14
Thermostats.....	15
Equipment Accessories.....	16-20
PTAC's.....	21-22
Dehumidifiers.....	23

II. DRIVES

VCR & BCR Drives & Drive Accessories.....	24
Electric Starters.....	25

III. PARTS

Contactors, Relays, & Motors.....	26
Service & Install Parts.....	27-28
Heating Components.....	29
Capacitors.....	30
Condensate Pumps, Drain Pans, & Tubing.....	31
Belts.....	32-33

IV. FANS

Roof Mounted Exhaust Fans.....	34-37
Wall Mounted Exhaust Fans.....	38-39
Gravity Fans.....	40
Centrifugal Fans.....	41-42
Inline Fans.....	43
Fan Accessories & Extras.....	44-45
Sidewall Fans & Accessories.....	46
Bathroom Fans.....	47
HVLS.....	48

V. ROOF CURBS, RAILS, & PIPE PORTALS

Curbs, Rails, & Pipe Portals.....	49-51
-----------------------------------	-------

VI. COMMERCIAL AIR DISTRIBUTION

Ceiling Diffusers.....	52-55
Square-To-Rounds & Reducers.....	56
Sidewall Grilles, Registers, & Accessories.....	57-63
Slot Diffusers.....	62
VAV & Water Coils.....	64

TABLE OF CONTENTS

VII. RESIDENTIAL AIR DISTRIBUTION

Return.....	65-66
Supply.....	67-68
Ceiling Diffusers.....	69
Boots & Other Ductwork.....	70-71

VIII. LOUVERS & DAMPERS

Louvers & Brick Vents.....	72
Balancing Dampers.....	73
Control Dampers.....	74
Ceiling Radiation & Fire Dampers.....	75-78
Access Doors.....	79-80

IX. HEATERS

Heaters & Accessories.....	81-83
----------------------------	-------

X. IAQ & FILTRATION

Filters & Frames.....	84-86
-----------------------	-------

XI. DUCTWORK

Flex Duct & Vent Hoods.....	87
Snaplock Pipe & Fittings.....	88-89
Takeoffs.....	90-91
Spiral Duct, Fittings, & Reducers.....	92-98
B-Vent.....	99-100
Hanging Materials.....	101-102

XII. SUPPLIES

Tape, Sealant, & Screws.....	103
Fabrication, Hardware, & Supplies.....	104-106
Copper Fittings & Accessories.....	107
LCP/VRV Accessories.....	108
Pipe & Fittings.....	109-111
Vibration Mountings.....	112-113
Electrical Supplies.....	114-115
Cleaning & Other Supplies.....	116
Steam Traps & Valves.....	117-120

XIII. TOOLS & SAFETY

Power Tools.....	121
Sheet Metal Tools.....	122-124
Welding Products.....	125
Refrigeration Tools & Refrigerant.....	126-129
Safety Wear & Tool Storage.....	130-131

PACKAGE UNITS - R454B SINGLE PHASE



TON	TYPE	ITEM	Heat Input BTU	Heat Output BTU	VOLTS/PH/HZ
2	Gas Pack	J5PG4024A1060A	60,000	48,000	208/230/1/60
2.5	Gas Pack	J5PG4030A1060A	60,000	48,000	208/230/1/60
3	Gas Pack	J5PG4036A1090A	90,000	72,000	208/230/1/60
3.5	Gas Pack	J5PG4042A1090A	90,000	72,000	208/230/1/60
4	Gas Pack	J5PG4048A1090A	90,000	72,000	208/230/1/60
5	Gas Pack	J5PG4060A1090A	90,000	72,000	208/230/1/60
TON	TYPE	ITEM	Heat Input BTU	Heat Output BTU	VOLTS/PH/HZ
2	Heat Pump	J5PH4024A1000A	24,000		208/230/1/60
2.5	Heat Pump	J5PH4030A1000A	30,000		208/230/1/60
3	Heat Pump	J5PH4036A1000A	36,000		208/230/1/60
3.5	Heat Pump	J5PH4042A1000A	42,000		208/230/1/60
4	Heat Pump	J5PH4048A1000A	48,000		208/230/1/60
5	Heat Pump	J5PH4060A1000A	60,000		208/230/1/60

Gas Packs are field convertible. Heat pumps are horizontal application only

ACCESSORIES

ITEM	DESCRIPTION	
5JAYHTRIP05BKA	Heat Kit	5 kw
5JAYHTRIP08BKA	Heat Kit	8 kw
JAYCURB002A	Roof Curb	24-42K
JAYCURB003A	Roof Curb	48-60K
JAYFLTR102A	Filter Kit	24-42K
JAYFLTR103A	Filter Kit	48-60K
JAYOSAH002A	Fresh Air Damper	24-42K
JAYOSAH003A	Fresh Air Damper	48-60K
PAI00429	Aerosol Touch Up Paint	

SPLIT AIR CONDITIONER & GAS FURNACE/COIL COMBINATIONS - R545B SINGLE PHASE



208-230/1/60

TON	Heating BTU	Outdoor Condensing Unit Item Number	Coil Item Number	80% AFUE Furnace Item Number	96% AFUE Furnace Item Number	Liquid Line	Suction ODU / IDU
1.5	40,000	J5AC5018A1000AA	J5MXCB004AC6HCA	J801V040AM3SEA	~	3/8"	3/4"
1.5	60,000	J5AC5018A1000AA	J5MXCB004AC6HCA	J801V060BM4SEA	~	3/8"	3/4"
1.5	80,000	J5AC5018A1000AA	J5MXCB004AC6HCA	J801V080BM4SEA	~	3/8"	3/4"
1.5	60,000	J5AC5018A1000AA	J5MXCB004AC6HCA	~	J962X060BU3SEA	3/8"	3/4"
1.5	80,000	J5AC5018A1000AA	J5MXCB004AC6HCA	~	J962X080BU3SEA	3/8"	3/4"
2	40,000	J5AC5024A1000AA	J5MXCB004AC6HCA	J801V040AM3SEA	~	3/8"	3/4"
2	60,000	J5AC5024A1000AA	J5MXCB004AC6HCA	J801V060AM3SEB	~	3/8"	3/4"
2	60,000	J5AC5024A1000AA	J5MXCB004AC6HCA	J801V060BM4SEA	~	3/8"	3/4"
2	80,000	J5AC5024A1000AA	J5MXCB004AC6HCA	J801V080BM4SEA	~	3/8"	3/4"
2	100,000	J5AC5024A1000AA	J5MXCC005AC6HCA	J801V100CM5SEA	~	3/8"	3/4"
2	60,000	J5AC5024A1000AA	J5MXCB004AC6HCA	~	J962X060BU3SEA	3/8"	3/4"
2	80,000	J5AC5024A1000AA	J5MXCB004AC6HCA	~	J962X080BU3SEA	3/8"	3/4"
2.5	60,000	J5AC5030A1000AA	J5MXCB004AC6HCA	J801V060BM4SEA	~	3/8"	3/4"
2.5	60,000	J5AC5030A1000AA	J5MXCB004AC6HCA	J801V060AM3SEB	~	3/8"	3/4"
2.5	80,000	J5AC5030A1000AA	J5MXCB004AC6HCA	J801V080BM4SEA	~	3/8"	3/4"
2.5	60,000	J5AC5030A1000AA	J5MXCB004AC6HCA	~	J962X060BU3SEA	3/8"	3/4"
2.5	80,000	J5AC5030A1000AA	J5MXCB004AC6HCA	~	J962X080BU3SEA	3/8"	3/4"
3	60,000	J5AC5036A1000AA	J5MXCB004AC6HCA	J801V060BM4SEA	~	3/8"	3/4"
3	80,000	J5AC5036A1000AA	J5MXCB004AC6HCA	J801V080BM4SEA	~	3/8"	3/4"
3	100,000	J5AC5036A1000AA	J5MXCC005AC6HCA	J801V100CM5SEA	~	3/8"	3/4"
3	60,000	J5AC5036A1000AA	J5MXCB004AC6HCA	~	J962X060BU3SEA	3/8"	3/4"
3	80,000	J5AC5036A1000AA	J5MXCB004AC6HCA	~	J962X080BU3SEA	3/8"	3/4"
3	100,000	J5AC5036A1000AA	J5MXCD018AC6HCA	~	J962X100DU5SEA	3/8"	3/4"
3	120,000	J5AC5036A1000AA	J5MXCD018AC6HCA	~	J962X120DU5SEA	3/8"	3/4"
3.5	60,000	J5AC5042A1000AA	J5MXCB016AC6HCA	J801V060BM4SEA	~	3/8"	7/8-3/4
3.5	80,000	J5AC5042A1000AA	J5MXCB016AC6HCA	J801V080BM4SEA	~	3/8"	7/8-3/4
3.5	100,000	J5AC5042A1000AA	J5MXCC017AC6HCA	J801V100CM5SEA	~	3/8"	7/8-3/4
3.5	120,000	J5AC5042A1000AA	J5MXCD018AC6HCA	J801V120DM5SEA	~	3/8"	7/8-3/4
3.5	80,000	J5AC5042A1000AA	J5MXCC017AC6HCA	~	J962X080CU4SEA	3/8"	7/8-3/4
3.5	100,000	J5AC5042A1000AA	J5MXCC017AC6HCA	~	J962X100CU5SEA	3/8"	7/8-3/4
3.5	120,000	J5AC5042A1000AA	J5MXCD018AC6HCA	~	J962X120DU5SEA	3/8"	7/8-3/4
4	100,000	J5AC5048A1000AA	J5MXCC017AC6HCA	J801V100CM5SEA	~	3/8"	7/8-3/4
4	120,000	J5AC5048A1000AA	J5MXCD018AC6HCA	J801V120DM5SEA	~	3/8"	7/8-3/4
4	100,000	J5AC5048A1000AA	J5MXCD010AC6HCA	~	J962X100DU5SEA	3/8"	7/8-3/4
4	120,000	J5AC5048A1000AA	J5MXCD010AC6HCA	~	J962X120DU5SEA	3/8"	7/8-3/4
5	100,000	J5AC5060A1000AA	J5MXCC009AC6HCA	J801V100CM5SEA	~	3/8"	1-1/8-3/4
5	120,000	J5AC5060A1000AA	J5MXCD010AC6HCA	J801V120DM5SEA	~	3/8"	1-1/8-3/4
5	100,000	J5AC5060A1000AA	J5MXCD010AC6HCA	~	J962X100DU5SEA	3/8"	1-1/8-3/4
5	120,000	J5AC5060A1000AA	J5MXCD010AC6HCA	~	J962X120DU5SEA	3/8"	1-1/8-3/4

HEAT PUMPS - R454B SINGLE PHASE



HEAT PUMP COMBINATIONS WITH MULTI-POSITION AIR HANDLER

208/230/1/60

<u>TON</u>	<u>Outdoor Heat Pump</u>	<u>Multi-Position Air Handler</u>	<u>Outdoor Heat Pump Liquid / Suction</u>	<u>Air Handler Liquid / Suction</u>
1.5	J5HP5018A1000AA	J5AH4P18A1A00AA	3/8" x 3/4"	3/8" x 3/4"
2	J5HP5024A1000AA	J5AH4P24A1B00AA	3/8" x 3/4"	3/8" x 3/4"
2.5	J5HP5030A1000AA	J5AH4P36A1B00AA	3/8" x 3/4"	3/8" x 3/4"
3	J5HP5036A1000AA	J5AH4P36A1B00AA	3/8" x 3/4"	3/8" x 3/4"
3.5	J5HP5042A1000AA	J5AH4P48A1C00AA	3/8" x 7/8"	3/8" x 7/8"
4	J5HP5048A1000AA	J5AH4P48A1C00AA	3/8" x 7/8"	3/8" x 7/8"
5	J5HP5060A1000AA	J5AH5E60A1C00AA	3/8" x 1-1/8"	3/8" x 7/8"



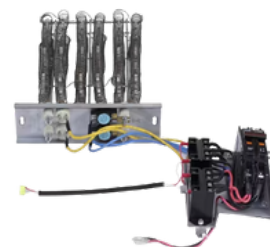
HEAT PUMP COMBINATIONS WITH SMALL CABINET INDOOR WALL MOUNT AIR HANDLER

<u>TON</u>	<u>Outdoor Heat Pump</u>	<u>Small Cabinet Indoor Wall Mount</u>	<u>Wall Mount Cabinet Size</u>	<u>Liquid Line</u>	<u>Suction Line</u>
1.5	J5HP5018A1000AA	5JMM5A0A24M21SA	20.5 x 15 x 36.5	3/8"	3/4"
2	J5HP5024A1000AA	5JMM5A0A24M21SA	20.5 x 15 x 36.5	3/8"	3/4"
2.5	J5HP5030A1000AA	5JMM5A0B30M21SA	22 x 19 x 39.5	3/8"	3/4"
3	J5HP5036A1000AA	5JMM5A0B36M31SA	22 x 19 x 39.5	3/8"	3/4"



ACCESSORIES - HEAT KITS, TXV'S, & FILTER DRIERS

<u>ITEM</u>	<u>TYPE</u>
5JAYHTR1A05BKA	5 kW Multi-Position Heat Kit
5JAYHTR1A08BKA	8 kW Multi-Position Heat Kit
5JAYHTR1A10BKA	10 kW Multi-Position Heat Kit
5JAYHTR1J05BKA	5 kW Wall Mount Heat Kit
5JAYHTR1J08BKA	8 kW Wall Mount Heat Kit
5JAYHTR1J10BKA	10 kW Wall Mount Heat Kit
5AYTXVH3A1836A	TXV (1.5-3 Ton)
5AYTXVH3A4248A	TXV (3.5-4 Ton)
5AYTXVH3A6000A	TXV (5 Ton)
WR-BSL083S	Econ Liquid Drier 8CU
WR-BSL1635	Econ Liquid Drier 16CU
WR-059542	H48 Can Block
WR-047608	EK083S Filter Drier
WR-066131	BSB163S Filter Drier



ACHEIVE ADDED EFFICIENCY WITH TXV

FRIEDRICH DUCTED SPLIT HEAT PUMP SYSTEMS R-454B

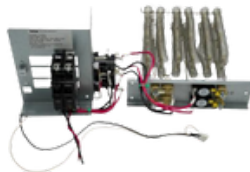


FRIEDRICH BREEZE SPLIT SYSTEMS - R-454B

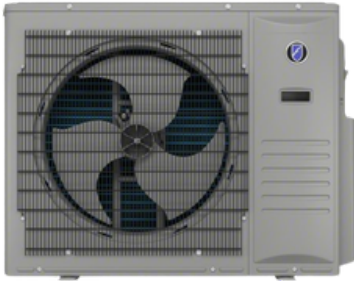
<u>TON</u>	<u>BTU</u>	<u>Volt.</u>	<u>Outdoor Heat Pump</u>	<u>Multi-Position Air Handler</u>	<u>Liquid Line</u>	<u>Suction Line</u>
2	24,000	208/230V 1 Phase	FR-BZ24ODU	FR-BZ24AHU	3/8"	5/8"
3	36,000	208/230V 1 Phase	FR-BZ36ODU	FR-BZ36AHU	3/8"	5/8"
4	48,000	208/230V 1 Phase	FR-BZ48ODU	FR-BZ48AHU	3/8"	3/4"
5	60,000	208/230V 1 Phase	FR-BZ60ODU	FR-BZ60AHU	3/8"	3/4"

ACCESSORIES- HEAT KITS

<u>ITEM</u>	<u>Power</u>	<u>DESCRIPTION</u>	<u>COMPATIBLE W/</u>
FR-AUX5	5 Kw	5 kW electric heater kit for Friedrich Breeze WFH indoor air handlers.	Compatible with all Air Handlers above.
FR-AUX7	7 Kw	7 kW electric heater kit for Friedrich Breeze WFH indoor air handlers.	Compatible with all Air Handlers above.
FR-AUX10	10 Kw	10 kW electric heater kit for Friedrich Breeze WFH indoor air handlers.	Compatible with all Air Handlers above.
FR-AUX15	15 Kw	15 kW electric heater kit for Friedrich Breeze WFH indoor air handlers.	Compatible with all Air Handlers above.
FR-AUX20	20 Kw	20 kW electric heater kit for Friedrich Breeze WFH indoor air handlers.	Compatible with all Air Handlers above.



FRIEDRICH MINI SPLITS R-454B



MULTI-ZONE MINI SPLIT SYSTEMS

<u>Multi-Zone Outdoor Condenser</u>	<u>Indoor Wall Mount</u>	<u>Wall Mount Cabinet Size WxHxD</u>	<u>Liquid Line</u>	<u>Suction Line</u>
FR-FMZ18ODU	FR-WH07-MZ	33 7/8" x 11 1/4" x 8 1/2"	1/4"	3/8"
FR-FMZ27ODU	FR-WH07-MZ	33 7/8" x 11 1/4" x 8 1/2"	1/4"	3/8"
FR-FMZ36ODU	FR-WH07-MZ	33 7/8" x 11 1/4" x 8 1/2"	1/4"	3/8"
FR-FMZ42ODU	FR-WH07-MZ	33 7/8" x 11 1/4" x 8 1/2"	1/4"	3/8"

SINGLE ZONE MINI SPLIT SYSTEMS

<u>Single Zone Outdoor Condenser</u>	<u>Indoor Wall Mount</u>	<u>Wall Mount Cabinet Size WxHxD</u>	<u>Liquid Line</u>	<u>Suction Line</u>
FR-FSZ09	FR-WH09	33 7/8" x 11 1/4" x 8 1/2"	1/4"	3/8"
FR-FSZ09-115	FR-WH09-115	33 7/8" x 11 1/4" x 8 1/2"	1/4"	3/8"
FR-FSZ12	FR-WH12	33 7/8" x 11 1/4" x 8 1/2"	1/4"	3/8"
FR-FSZ12-115	FR-WH12-115	33 7/8" x 11 1/4" x 8 1/2"	1/4"	3/8"
FR-FSZ18	FR-WH18	45 1/4" x 13 1/4" x 10 1/8"	1/4"	1/2"
FR-FSZ24	FR-WH24	45 1/4" x 13 1/4" x 10 1/8"	3/8"	5/8"

WALL MOUNT BRACKET

RS87733	Mini Split Wall Bracket
----------------	--------------------------------

HEAT PUMP PACKAGED ROOF TOP UNITS

R32 3-PHASE



3-6 TON

<u>MODEL</u>	<u>BTU/h</u>	<u>TON</u>	<u>RATED VOLTAGE</u>	<u>MOTOR</u>	<u>SEER2 / EER2</u>	<u>MOCP</u>	<u>HEAT INPUT</u>	<u>DIMENSIONS W / D / H</u>	<u>WEIGHT</u>
DSH0363D000001S	35,000	3	208/230-3-60	DIRECT	14/12	30	33,600	74x48-5/16x39-7/8	605
DSH0364D000001S	35,000	3	460-3-60	DIRECT	14/12	15	33,600	74x48-5/16x39-7/8	613
DSH0483D000001S	46,000	4	208/230-3-60	DIRECT	13.7/11.8	35	46,000	74x48-5/16x39-7/8	652
DSH0484D000001S	46,000	4	460-3-60	DIRECT	13.7/11.8	15	46,000	74x48-5/16x39-7/8	656
DSH0603D000001S	57,500	5	208/230-3-60	DIRECT	13.7/11.8	40	55,000	74x48-5/16x39-7/8	666
DSH0604D000001S	57,500	5	460-3-60	DIRECT	13.7/11.8	20	55,000	74x48-5/16x39-7/8	670
DSH0723D000001S	68,000	6	208/230-3-60	DIRECT	16.7 / 11.3	40	67,000	74x48-5/16x39-7/8	715
DSH0724D000001S	68,000	6	460-3-60	DIRECT	16.7 / 11.3	15	67,000	74x48-5/16x39-7/8	715

3-6 TON ACCESSORIES

<u>ITEM</u>	<u>TYPE</u>	<u>DESCRIPTION</u>
DA0270L01163	ECONOMIZER	Horizontal Ultra Low Leak Economizer Dry-Bulb 39" Cabinet 3-5T
DA0270L01156	ECONOMIZER	Downflow Economizer Standard Leak Dry-Bulb 3-5T
DA0270L02826	ECONOMIZER	Vertical Economizer Ultra Low-Leak JADE Enthalpy Sensor
DA0221L00014	CURB	14" Knockdown Curb
DA0270L01166	DAMPER	Manual Outside Air Damper 3-5T
HAILGD036HE	Hail Guard	Hail Guard 39" Cabinet 3-5T
WXD0504X	HEAT KIT	5KW Heat Kit 208-230v/3ph 3-5T HP Direct Drive
WXD0505X	HEAT KIT	5KW Heat Kit 460V/3ph 3-5T HP Direct Drive
WXD1004-X	HEAT KIT	10KW Heat Kit 208-230v/3ph 3-5T HP Direct Drive
WXD1005X	HEAT KIT	10KW Heat Kit 460v/3ph 3-5T HP Direct Drive
WXD1504X	HEAT KIT	15 kW Heat Kit 206v/3ph 3-5T HP Direct Drive
WXD1505X	HEAT KIT	15 KW Heat Kit 460V/3ph 3-5T HP Direct Drive

HEAT PUMP PACKAGED ROOF TOP UNITS

R32 3-PHASE



7.5-10 TON

MODEL	BTU/h	TON	RATED VOLTAGE	MOTOR	SEER2 / EER2	MOCAP	HEAT INPUT	DIMENSIONS W / D / H	WEIGHT
DSH0903D000001S	86,000	7.5	208/230-3-60	DIRECT	16/11.4	50	80,000	93-1/8x60-3/8x54-5/8	1,200
DSH0904D000001S	86,000	7.5	460-3-60	DIRECT	16/11.4	25	80,000	93-1/8x60-3/8x54-5/8	1,200
DSH1023D000001S	98,000	8.5	208/230-3-60	DIRECT	15.5/11.4	50	97,000	93-3/4x60-3/8 x54-5/8	1228
DSH1024D000001S	98,000	8.5	460v-3-60	DIRECT	15.5/11/4	25	97,000	93-3/4x60-3/8 x54-5/8	1229
DSH1203D000001S	116,000	10	208/230-3-60	DIRECT	15.2/11.4	60	106,000	93-1/8x60-3/8x54-5/8	1,234
DSH1204D000001S	116,000	10	460-3-60	DIRECT	15.2/11.4	35	106,000	93-1/8x60-3/8x54-5/8	1,234

7.5-10 TON ACCESSORIES

ITEM	TYPE	DESCRIPTION
DA0270L01130	Economizer	Horizontal Ultra Low Leak Economizer 7.5-12.5T
DA0270L02831	Economizer	Vertical Ultra Low-Leak JADE Enthalpy Sensor
DA0270L01153	CURB	14" Knockdown Curb 7.5-12.5T
DA0270L01133	Damper	Manual Outside Air Damper 7.5-12.5T
HAILGD090120HE	Hail Guard	Hail Guard 7.5 - 10T
WXD1004	Heat Kit	10KW Heat Kit 208-230v/3ph 7.5-10T HP Direct Drive
WXD1005	Heat Kit	10KW 460V/3PH 7.5-10T HP Direct Drive
WXD1504	Heat Kit	15KW Heat Kit 208-230v/3ph 7.5-10T HP Direct Drive
WXD1505	Heat Kit	15KW Heat Kit 460v/3ph 7.5-10T HP Direct Drive
AppStat HPU 3H/2C	Controller	Compatible w/ all Daikin Package Units

GAS / ELECTRIC PACKAGED ROOF TOP UNITS



R32 3-PHASE



3-6 NOMINAL TONS DIRECT DRIVE

MODEL / ITEM	BTU/h	TON	RATED VOLTAGE	MOCP	SEER2/ EER2	Heat Range	HEAT INPUT	DIMENSIONS W/D/H	WEIGHT
DSG0363DH00001S	35,000	3	208/230-3-60	30	14/12	High	90,000	74x48-5/16x39-7/8	580
DSG0364DH00001S	35,000	3	460-3-60	15	14/12	High	90,000	74x48-5/16x39-7/8	586
DSG0483DH00001S	46,000	4	208/230-3-60	35	13.7/11.8	High	115,000	74x48-5/16x39-7/8	618
DSG0484DH00001S	47,000	4	460-3-60	15	13.7/11.8	High	115,000	74x48-5/16x39-7/8	622
DSG0603DH00001S	59,000	5	208/230-3-60	40	13.7/11.8	High	140,000	74x48-5/16x39-7/8	624
DSG0604DH00001S	59,000	5	460-3-60	20	13.7/11.8	High	140,000	74x48-5/16x39-7/8	628
DSG0723DH00001S	69,000	6	208/230-3-60	40	16.7/11.8	High	140,000	74x48-5/16x43-1/2	696
DSG0724DH00001S	69,000	6	460-3-60	20	16.7/11.8	High	140,000	74x48-5/16x43-1/2	696

3-6 TON ACCESSORIES

ITEM	TYPE	DESCRIPTION
DA0221L00014	CURB	14" Knockdown Curb 3-6T
DA0270L01166	DAMPER	Manual Outside Air Damper 3-6T
HAILGD036HE	Hail Guard	Hail Guard 39" Cabinet 3-5T
HAILGD048060HE	Hail Guard	Hail Guard 43" Cabinet 6T
DA0270L01156	Economizer	Downflow Economizer Standard Leak Dry-Bulb 3-6T
DA0270L01163	Economizer	Horizontal Ultra Low Leak Economizer Dry-Bulb 39" Cabinet 3-5T
DA0270L01598	Economizer	Horizontal Ultra Low Leak Economizer Dry-Bulb 43" Cabinet 6T
AppStat HPU 3H/2C	Controller	Compatible w/ all Daikin Package Units

3 - 12.5T ARE FIELD CONVERTIBLE TO HORIZONTAL CONFIGURATION

GAS / ELECTRIC PACKAGED ROOF TOP UNITS



R32 3-PHASE



7.5-12.5 NOMINAL TONS DIRECT DRIVE

MODEL/ ITEM	BTU/h	TON	RATED VOLTAGE	MOCP	SEER2/ EER2	Heat Range	HEAT INPUT	DIMENSIONS W/D/H	WEIGHT
DSG0903DH00001S	86,000	7.5	208/230-3-60	50	16/12	High	225,000	93-3/4x60-3/8x54-5/8	1,140
DSG0904DH00001S	86,000	7.5	460-3-60	25	16/12	High	225,000	93-3/4x60-3/8x54-5/8	1,140
DSG1023DH00001S	98,000	8.5	208/230-3-60	50	15.5/11.4	High	225,000	93-3/4x60-3/8x54-5/8	1,118
DSG1024DH00001S	98,000	8.5	460-3-60	25	15.5/11.4	High	225,000	93-3/4x60-3/8x54-5/8	1,118
DSG1203DH00001S	116,000	10	208/230-3-60	60	15.5/11.4	High	240,000	93-3/4x60-3/8x54-5/8	1,219
DSG1204DH00001S	116,000	10	460-3-60	30	15.5/11.4	High	240,000	93-3/4x60-3/8x54-5/8	1,219
DSG1503DH00001S	140,000	12.5	208/230-3-60	70	15.2 / 11.4	High	240,000	93-3/4x60-3/8x54-5/8	1,244
DSG1504DH00001S	140,000	12.5	460-3-60	35	15.2 / 11.4	High	240,000	93-3/4x60-3/8x54-5/8	1,244

7.5-12.5 TON ACCESSORIES

ITEM	TYPE	DESCRIPTION
DA0270L01754	Economizer	7.5T - 12T Vertical Econ JADE Enthalpy
DA0270L01153	CURB	14" Knockdown Curb 7.5-12.5T
DA0270L01133	DAMPER	Manual Outside Air Damper 7.5-12.5T
HAILGD090120HE	Hail Guard	Hail Guard 7.5 - 10T
HAILGD150HE	Hail Guard	Hail Guard 12.5T
DA0270L01130	Economizer	Horizontal Ultra Low Leak Economizer Dry-Bulb 7.5-12.5T
AppStat HPU 3H/2C	Controller	Compatible w/ all Daikin Package Units

3 - 12.5T ARE FIELD CONVERTIBLE TO HORIZONTAL CONFIGURATION

GAS / ELECTRIC PACKAGED ROOF TOP UNITS



R32 3-PHASE



15-25 NOMINAL TONS DIRECT DRIVE

<u>MODEL / ITEM</u>	<u>BTU/h</u>	<u>TON</u>	<u>RATED VOLTAGE</u>	<u>MOCP</u>	<u>SEER2/ EER2</u>	<u>Heat Range</u>	<u>HEAT INPUT</u>	<u>DIMENSIONS W / D / H</u>	<u>WEIGHT</u>
DSG1803DM00001S	172,000	15	208/230-3-60	100	14 / 10.8	Medium	360,000	133-7/8x88-1/2x50-11/16	2,037
DSG1804DM00001S	172,000	15	460-3-60	50	14 / 10.8	Medium	360,000	133-7/8x88-1/2x50-11/16	2,037
DSG2403DM00001S	230,000	20	208/230-3-60	125	14 / 10.8	Medium	360,000	133-7/8x88-1/2x50-11/16	2,290
DSG2404DM00001S	230,000	20	460-3-60	60	14 / 10.8	Medium	360,000	133-7/8x88-1/2x50-11/16	2,290
DSG3003DM00001S	290,000	25	208/230-3-60	150	13 / 9.8	Medium	360,000	133-7/8x88-1/2x50-11/16	2,431
DSG3004DM00001S	290,000	25	460-3-60	80	13 / 9.8	Medium	360,000	133-7/8x88-1/2x50-11/16	2,431

15-25T DOWN FLOW ONLY AND REQUIRE PLENUM SIDE DISCHARGE CURB FOR HORIZONTAL CONFIGURATION

15-25 TON ACCESSORIES

<u>ITEM</u>	<u>TYPE</u>	<u>DESCRIPTION</u>
DA0270L02330	Economizer	Downflow Low Leak Economizer w/Enthalpy Sensor 15-25T
DA0270L02333	Economizer Hood	**Economizer Hood for DA0270L02330**
14CURB180300	CURB	14" Roof Curb 15-25T
S25FD180300	Damper	25% Manual Fresh Air Damper 15-25T
HAILGD180300	Hail Guard	Hail Guard 15-25T
SHZECNJ180300B	Economizer	Horizontal Low Leak Economizer 15-25T
AppStat HPU 3H/2C	Controller	Compatible w/ all Daikin Package Units

SMOKE DETECTORS

SYSTEM SENSOR

- Duct-mounted design
- Samples airstream for early detection of smoke in HVAC systems
- Includes exhaust tube
- Please select sampling tube from accessory listing below
- 24V AC/DC or 120V AC

<u>ACCESSORY</u>	<u>DESCRIPTION</u>
SDD4120	Standard 4-wire photo electric
SDD4120W	Standard 4-wire photo electric watertight version



SD4120

<u>ACCESSORY</u>	<u>DESCRIPTION</u>
SDRTS151	Remote Test Station for testing remotely located smoke detector
SDAPA151	Piezo Annunciator, audible signal appliance for alarm service, red alarm LED, green power LED, audible alarm
SDRTS2	Multi-signaling Duct Accessory with Audible Alarm
SDAOS	Add on strobe for RTS2
SDDST-1.5	Sampling Tube, 1 1/2 ft.
SDDST-3	Sampling Tube, 3 ft.
SDDST-5	Sampling Tube, 5 ft.



SDDST



SDRTS2



SDAPA151



SDRTS151

COMMERCIAL SPLIT SYSTEM HEAT PUMP

R32 3-PHASE

7/8 TO 3/4 ADAPTER
1-1/8 TO 3/4 ADAPTER



ITEM	TYPE	Tons	Voltage	EER2	SEER2	Cooling BTU	Heating BTU	MOP / MCA	Lineset Size
DH4SEA3630	ODU	3	208/230-3-60	12.5	14.3	35,000	34,400	20 / 14.2	3/8 X 3/4
AMST36CU1300	IDU		208/230-1-60					15 / 7.1	
DH4SEA3640	ODU	3	460-3-60	12.5	14.3	35,000	34,400	10 / 6.7	3/8 X 3/4
AMST36CU1300	IDU		208/230-1-60					15 / 7.1	
DH4SEA4830	ODU	4	208/230-3-60	12.5	14.3	46,090	46,090	25 / 16.5	3/8 X 3/4
AMST48CU1300	IDU		208/230-1-60					15 / 7.1	
DH4SEA4840	ODU	4	460-3-60	12.5	14.3	46,090	46,090	10 / 8.0	3/8 X 3/4
AMST48CU1300	IDU		208/230-1-60					15 / 7.1	
DH4SEA6030	ODU	5	208/230-3-60	12.5	14.3	57,300	57,000	35 / 20.5	3/8 X 3/4
AMST60DU1300	IDU		208/230-1-60					15 / 8.6	
DH4SEA6040	ODU	5	460-3-60	12.5	14.3	57,300	57,000	15 / 10.4	3/8 X 3/4
AMST60DU1300	IDU		208/230-1-60					15 / 8.6	
DH6TE09030	ODU	7.5	208/230-3-60	11.4	16	92,000	85,000	50 / 38.7	5/8 X 1-1/8
DAQ09033	IDU		20 / 15.5						
DH6TE09040	ODU	7.5	460-3-60	11.4	16	92,000	85,000	20 / 17.9	5/8 X 1-1/8
DAQ09034	IDU		15 / 5.2						
DH6TE12030	ODU	10	208/230-3-60	11.2	16	115,000	97,000	50 / 41.6	5/8 X 1-1/8
DAQ12033	IDU		20 / 15.5						
DH6TE12040	ODU	10	460-3-60	11.2	16	115,000	97,000	25 / 20.8	5/8 X 1-1/8
DAQ12034	IDU		15 / 5.2						

HEAT KITS FOR SPLIT SYSTEM HEAT PUMPS

ITEM	VOLT.	DESCRIPTION	COMPATIBLE W/
WKS0502	240-1	Heat Kit 4.80 KW/20 Amps	AMST36CU1300, AMST48CU1300
WKS0802	240-1	Heat Kit 8 KW/ 33.30 Amps	AMST60DU1300
WKS1002	240-1	Heat Kit 9.60 KW/ 40 Amps	DAQ09033, DAQ09034, DAQ12033, DAQ12034
WHKD1504	240-3	Heat Kit 15 KW/ 36.10 Amps	DAQ09033, DAQ09034, DAQ12033, DAQ12034
WHKD2004	240-3	Heat Kit 20 KW/ 48.10 Amps	DAQ09033, DAQ09034, DAQ12033, DAQ12034
WHKD1505	460-3	Heat Kit 15 KW/ 18 Amps	DAQ09033, DAQ09034, DAQ12033, DAQ12034
WHKD2005	460-3	Heat Kit 20 KW/ 24.10 Amps	DAQ09033, DAQ09034, DAQ12033, DAQ12034



MINI-SPLITS R32 1-PHASE

*S21 Adapter (KRP067A41) is needed
for all B Series Mini Splits

**R-32 ENTRA 18 SERIES WALL MOUNT**

BTU/h	TONS	INDOOR	OUTDOOR	MAX LINE LENGTH	LINESET SIZE	BREAKER SIZE	SEER2	PAD SIZE	OPTIONAL LOW AMBIENT WIND BAFFLE	COMPATIBLE CONDENSATE PUMPS
9,000	0.75T	FTXC09AXVJU	RXC09AXVJU	66 FT	1/4 x 3/8	15	18	24X36X3	KPW937F4	RS83930 RS83939
12,000	1T	FTXC12AXVJU	RXC12AXVJU	66 FT	1/4 x 3/8	15	18	24X36X3	Not Available	RS83930 RS83939
18,000	1.5T	FTXC18AXVJU	RXC18AXVJU	98 FT	1/4 x 1/2	20	18	24X48X3	Not Available	RS83930 RS83939
24,000	2T	FTXC24AXVJU	RXC24AXVJU	98 FT	1/4 x 5/8	20	18	24X48X3	Not Available	RS83930

R-32 OTERRA 20 SERIES WALL MOUNT

BTU/h	TONS	INDOOR	OUTDOOR	MAX LINE LENGTH	LINESET SIZE	BREAKER SIZE	SEER2	PAD SIZE	OPTIONAL LOW AMBIENT WIND BAFFLE	COMPATIBLE CONDENSATE PUMPS
9,000	0.75T	FTXF09AXVJU	RXF09AXVJU	66 FT	1/4 x 3/8	15	21	24X36X3	KPW937F4	RS83930 RS83939
12,000	1T	FTXF12AXVJU	RXF12AXVJU	66 FT	1/4 x 3/8	15	21	24X36X3	KPW937F4	RS83930 RS83939
18,000	1.5T	FTXF18AXVJU	RXF18AXVJU	98 FT	1/4 x 1/2	20	21	24X48X3	KPW063B4E	RS83930 RS83939
24,000	2T	FTXF24AXVJU	RXF24AXVJU	98 FT	1/4 x 5/8	20	21	24X48X3	KPW063B4E	RS83930

R-32 OTERRA COOLING ONLY SERIES WALL MOUNT

BTU/h	TONS	INDOOR	OUTDOOR	MAX LINE LENGTH	LINESET SIZE	BREAKER SIZE	SEER2	PAD SIZE	OPTIONAL LOW AMBIENT WIND BAFFLE	COMPATIBLE CONDENSATE PUMPS
9,000	0.75T	DA FTKF09BVJU9 3/4T AC	DA RKF09BVJU9 3/4T AC	66 FT	1/4 x 3/8	15	21	24X36X3	KPW937F4	RS83930 RS83939
12,000	1T	DA FTKF12BVJU9 1T AC IU	DA RKF12BVJU9 1T AC R32	66 FT	1/4 x 3/8	15	21	24X36X3	KPW937F4	RS83930 RS83939
18,000	1.5T	DA FTKF18BVJU9 1.5T AC	DA RKF18BVJU9 1.5T ODU	98 FT	1/4 x 1/2	20	21	24X48X3	KPW063B4E	RS83930 RS83939
24,000	2T	DA FTKF24BVJU9 2T AC	DA RKF24BVJU9 2T AC Only	98 FT	1/4 x 5/8	20	21	24X48X3	KPW063B4E	RS83930

EQUIPMENT ACCESSORIES

MINI-SPLIT ACCESSORIES

KRP067A41	Adaptor for DTST-LTE-LA-A Required for all DTST-LTE-LA-A	Required for all B Series Mini Splits
RS83939	Mini White Condensate Pump	Compatible w/ all Daikin Mini Splits under 2 Ton
RS83930	Variable Speed Mini White Condensate Pump	Compatible w/ all Daikin Mini Splits but required for 2 Ton and up
RS87733	Powder Coated Wall Mounted Bracket MAX 242 lbs Load	Compatible with All per Weight Rating
BRC1H71W	Madoka Wired Controller	Compatible with SEER2 Vista Ceiling Cassette & FDMQ Ducted Models
DTST-ONE-ADA-A	Daikin One Smart Thermostat	Compatible w/ all Daikin Mini Splits
DTST-LTE-LA-A	Daikin One Lite Thermostat for Mini-Split and Multi-Split Units	Compatible w/ all Daikin Mini Splits
DTST-TOU-A	Daikin One Touch Smart Thermostat for Unitary Equipment	Compatible w/ all Daikin Mini Splits
DA999187T	D-Checker	Compatible w/ all Daikin Mini Splits
AZAI6WSCDKB	Cloud Wi-Fi Adapter	Compatible w/ all Daikin Mini Splits
AZAI6WSPDKC	Plus Interface - PIP2 Connection	Compatible w/ all Daikin Mini Splits
BRC944B2-A08	Wired Remote Controller Kit	Compatible w/ all Daikin Mini Splits
BRC51D61	Wired Remote Controller Kit	Compatible w/ all Daikin Mini Splits
BRCW901A03	10 ft. Control Cable	Compatible w/ all Daikin Mini Splits
BRC082A43	Wireless Controller Vista CC/Ducted	Compatible w/ all Daikin Concealed Ducted Mini Splits
BRC1E73	Navigation Remote Controller	Compatible w/ all Daikin Mini Splits

RECTORSEAL COVER GUARD/LINESET COVER

<u>ITEM</u>	<u>DESCRIPTION</u>
RSCGDUC	4-1/2" x 48" Cover Guard Duct
RSCGDUC78	4-1/2" x 78" Cover Guard Duct
RSCGCUP	4-1/2" Cover Guard Coupling
RSCG90	4-1/2" Cover Guard 90 Degree Elbow
RSCG90SWP	4-1/2" Cover Guard 90 Degree Sweep Elbow
RSCG45	4-1/2" Cover Guard 45 Degree Elbow
RSCGINLT	4-1/2" Cover Guard Wall Inlet
RSCGWFL	4-1/2" Cover Guard Wall Flange
RSCGEND	4-1/2" Cover Guard End Cap



THERMOSTATS

WIRE

MR 84207	Residential 18/8 T-STAT 250 UL Wire
MR 84479	Compact 600 Cable: 600V 14/4 Stranded THHN 50' Roll
SWS8225703	14/4 Tray Cable Mini Split Wire 1x250'

PRO 1 THERMOSTATS

PRT855iSH	5H/3C 7-Day Programmable Humidity Control WIFI Thermostat
PRT855SH	3H/2C 7-Day Programmable Humidity Control Thermostat
PRT855	5H/3C 7-Day Programmable Thermostat
PRT721i	2H/1C 7-Day Programmable Thermostat
PRT721	2H/1C Non-Programmable Thermostat
PRT701	1H/1C Non-Programmable Thermostat



PRT855, T855SH & T855iSH



PRT721i



T701



PRT721

ECOBEE THERMOSTATS

EBSTATE6P01	Smart Thermostat Premium
EBSTATE6LP01	Smart Thermostat Enhanced
EBSTATE7P01	Smart Thermostat Lite
EBRSHM2PK01	Smart Sensor for Thermostat (measures temperature and movement)



EBSTATE6P01



EBSTATE6LP01



EBSTATE7P01



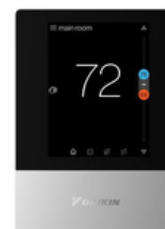
EBRSHM2PK01

DAIKIN THERMOSTATS

ITEM	NAME	DESCRIPTION	COMPATIBLE W/
DTST-TOU-A	Daikin Touch Smart Thermostat	Programmable 4-event schedule with adjustable hold function	Compatible w/ all Daikin Mini Splits
DTST-CWBSA-NI-B	Daikin One+ Smart Thermostat	Programmable 6-event schedule	Unitary Split Systems, Daikin Furnaces, FIT Units
DTST-ONE-ADA-A	Daikin One Smart Thermostat	Programmable 6-event schedule	Compatible w/ all Mini Splits
DTST-LTE-LA-A	Daikin One Lite Thermostat	Programmable 4-event schedule with adjustable hold function	Compatible w/ all Daikin Mini Splits
D4271C	Daikin Universal Thermostat	7 Day Programmable, Residential or Light Commercial, 4h/2c	All Daikin Package Units
D4272C	Daikin Universal Thermostat	7 Day Programmable, Residential or Light Commercial, 4h/2c	All Daikin Light Commercial Package Units
CTK04AE	Comfortnet TSTAT Kit	Programmable Event Scheduler, Residential or Commercial	Unitary Split Systems, Daikin Furnaces, FIT Units



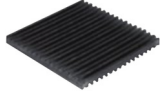
DTST-LTE-LA-A



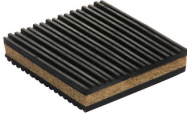
DTST-TOU-A

VIBRATION PADS

Anti-vibration pads can be used on any type of mechanical/electrical machines such as pumps, motors, air conditioning units, generators, compressors, etc. The plain rubber pads have grooves on both sides. The cork rubber pads are the same but with the added advantage of reduction in sound level.



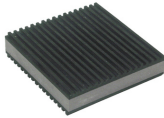
Rubber Pad



Cork/Rubber
Pad



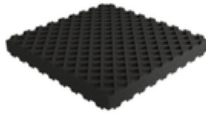
ISO Pad



Rubber/Foam
Pad



Shear Flex Pad



Elastomeric
Pad

<u>ITEM</u>	<u>DESCRIPTION</u>
MR 52101	2 X 2 X 3/8 Rubber Pad
MR 52103	4 X 4 X 3/8 Rubber Pad
MR 52104	6 X 6 X 3/8 Rubber Pad
MR 52108	2 X 2 X 7/8 Cork Rubber Pad
MR 52109	3 X 3 X 7/8 Cork Rubber Pad
MR 52110	4 X 4 X 7/8 Cork Rubber Pad
MR 52111	6 X 6 X 7/8 Cork Rubber Pad
MR 52114	18 X 18 X 7/8 Cork Rubber Pad
MR 52115	2 X 2 X 3/4 ISO Pad
MR 52116	4 X 4 X 3/4 ISO Pad
MR 52117	18 X 18 X 3/4 ISO Pad
MR 52118	4 X 4 X 7/8 Rubber/Foam Pad
MR 52119	2 X 2 X 7/8 Rubber/Foam Pad
MR 52120	6 X 6 X 7/8 Rubber/Foam Pad
VMSFP18X18	18 x 18 x 3/8 Shear Flex Pad
VMCRP18X18	18 x 18 x 1 Elastomeric Pad
VMCRP6X6	6 x 6 x 1 Elastomeric Pad
VMCRP4X4	4 x 4 x 1 Elastomeric Pad
VMCRP2X2	2 x 2 x 1 Elastomeric Pad

POLAR PADS

The pad is injection molded from polyethylene, which is durable, strong, and lightweight. The unique design has strong, uniform ribbing along the underside. The pad is molded with a texture along the top for traction, and rounded edges on the sides to give a clean concrete look and feel.

<u>ITEM</u>	<u>DESCRIPTION</u>
MR 94787	Polar Pad 32X32X3 Gray
MR 94792	Polar Pad 36X36X3 Gray
MR 94756	Polar Pad 52X52X3 Gray
MR 94829	Polar Pad 24x48x3 Black





LINESETS

INSULATED DAIKIN COMMERCIAL SPLIT SYSTEMS LINESETS

ITEM	Liquid	Suction	Length	Insulation
LS61220250B6L	3/8"	3/4"	25'	1/2"
LS61220500B6L	3/8"	3/4"	50'	1/2"
LS61420250B6L	3/8"	7/8"	25'	1/2"
LS61420500B6L	3/8"	7/8"	50'	1/2"
LS61820250B6L	3/8"	1-1/8"	25'	1/2"
LS61820500B6L	3/8"	1-1/8"	50'	1/2"
LS01020250L	5/8"	~	25'	1/2"
LS01820250L	~	1-1/8"	25'	1/2"
LS61020250B6L	3/8"	5/8"	25'	1/2"
LS61020500B6L	3/8"	5/8"	50'	1/2"



OXBOX LINESETS - SUCTION LINE 1/2" - LIQUID LINE UNINSULATED

ITEM	Liquid	Suction	Length
LS61220250L	3/8"	3/4"	25'
LS61220500L	3/8"	3/4"	50'
LS61420250L	3/8"	7/8"	25'
LS61420500L	3/8"	7/8"	50'
LS61820250L	3/8"	1-1/8"	25'
LS61820500B6L	3/8"	1-1/8"	50'
ITEM	Reducing Size		
M1-1/8x3/4 Red	1-1/8" to 3/4"		
M7/8x3/4 Red	7/8" to 3/4"		
M1-1/8x7/8 Red	1-1/8" to 7/8"		

INSULATED DAIKIN MINI-SPLITS LINESETS

ITEM	Liquid	Suction	Length	Insulation
LS40620250B6L	1/4"	3/8"	25'	1/2"
LS40620500B6L	1/4"	3/8"	50'	1/2"
LS40820250B6L	1/4"	1/2"	25'	1/2"
LS40820500B6L	1/4"	1/2"	50'	1/2"
LS41020250B6L	1/4"	5/8"	25'	1/2"
LS41020500B6L	1/4"	5/8"	50'	1/2"

QUICK CONNECT FITTINGS

ITEM	DESCRIPTION
RS87038	1/2" Profit Socket
RS87020	1/2" Profit Union
RS87036	1/4" Profit Socket
RS87018	1/4" Profit Union
RS87037	3/8" Profit Socket
RS87019	3/8" Profit Union
RS87039	5/8" Profit Socket



ZONING DAMPERS & ACCESSORIES

STATIC PRESSURE ADJUSTABLE DAMPERS

ITEM	DESCRIPTION
ZFSPAD08	8" Static Press Adjustable Damper
ZFSPAD10	10" Static Press Adjustable Damper
ZFSPAD12	12" Static Press Adjustable Damper
ZFSPAD14	14" Static Press Adjustable Damper
ZFSPAD16	16" Static Press Adjustable Damper



PLUG-IN ROUND DAMPER

ITEM	DESCRIPTION
ZFRDP10	10" Plug-In Round Damper 25' Wiring Included
ZFRDP12	12" Plug-In Round Damper 25' Wiring Included
ZFRDP14	14" Plug-In Round Damper 25' Wiring Included
ZFRDP16	16" Plug-In Round Damper 25' Wiring Included



SPRING RETURN ZONE DAMPER

ITEM	DESCRIPTION
ZFRDS10	10" 24V (2-wire) Spring Return Zone Damper
ZFRDS12	12" 24V (2-wire) Spring Return Zone Damper
ZFRDS14	14" 24V (2-wire) Spring Return Zone Damper
ZFRDS16	16" 24V (2-wire) Spring Return Zone Damper



ZONEFIRST ACCESSORIES

ITEM	DESCRIPTION
ZFH32	24V Heat Pump, Dual Fuel & Conventional Zone Control Panel
ZFH32K	24V Heat Pump, Dual Fuel & Conventional Zone Control Panel Kit
ZFH32P	Plug-In-Play Heat Pump, Dual Fuel & Conventional Zone Control Panel
ZFH32PK	Plug-In-Play Multistage Zone Control Panel Kit - (Includes OAS, ZPS, & T24)
ZFMMP3	Plug-In-Play 3 Zone - Single Stage Zone Control Panel - Panel Only
ZFMMPK	Plug-In-Play 3 Zone - Single Stage Zone Control Panel - System Kit (includes ZPS and T24)
ZFMMZ3	24V 3 Zone - Single Stage Zone Control Panel
ZFMMZK	24V 3 Zone - Single Stage Zone Control Panel - (includes ZPS and T24)
ZF4PDR	4 Pole Double Throw Relay
ZFMP12M	Plug-In Replacement Damper Motor
ZFMSS	Silent Spring Return Damper Motor
ZFPIW25	25' Modular Cord with Connector Coupler
ZFOAS	Outside Air Temperature Sensor
ZFZPS	Zone Plenum Air Sensor



OXBOX PLENUMS, RETURN BOXES & MIXING BOXES

A/H SUPPLY BOXES

ITEM	SIZE
AH SUPPLY PLEM BOX 18-36	14x18x48
AH SUPPLY PLEM BOX 48-60	18x22x48

FURNACE RETURN BOX

ITEM	SIZE
FURNACE RTN BOX A	14.5x26x36
FURNACE RTN BOX B	17.5x26x36
FURNACE RTN BOX C	21x26x36
FURNACE RTN BOX D	24.5x26x36

COIL BOX

ITEM	SIZE
COIL SUPPLY PLEM A	14.5x20x48
COIL SUPPLY PLEM B	17.5x20x48
COIL SUPPLY PLEM C	21x20x48
COIL SUPPLY PLEM D	24.5x20x48

SQUARE TO ROUNDS

ITEM	DESCRIPTION
CRSQRD 14x14 14	14X14 14"
CRSQRD 14x14 16	14X14 16"
CRSQRD 14x14 18	14X14 18"
CRSQRD 14x16 14	14X16 14"
CRSQRD 14x16 16	14X16 16"
CRSQRD 14x16 18	14X16 18"
CRSQRD 14x20 14	14X20 14"
CRSQRD 14x20 16	14X20 16"
CRSQRD 14x20 18	14X20 18"

A/H RETURN BOXES

ITEM	SIZE
AH RETURN BOX 18-36	18x18x36
AH RETURN BOX 48-60	22x22x36

MIXING BOXES

ITEM	SIZE
MIXING BOX SMALL	16x16x36
MIXING BOX MED	18x18x36
MIXING BOX LARGE	20x20x36

AIR HANDLER STAND BOX

ITEM	SIZE
AH STAND BOX 18-36	20.5x18x16
AH STAND BOX 48-60	20x22x16

ITEM	DESCRIPTION
CRSQRD 14x24 14	14x24 14"
CRSQRD 14x25 16	14x25 16"
CRSQRD 14x25 18	14x25 18"
CRSQRD 16x24 14	16x24 14"
CRSQRD 16x24 16	16x24 16"
CRSQRD 20x20 16	20x20 16"
CRSQRD 20x20 18	20x20 18"
CRSQRD 20x25 16	20x25 16"
CRSQRD 20x25 18	20x25 18"

**SMARTLOCK**
Brazeless & Flareless Fittings

SMARTLOCK BRAZELESS & FLARELESS FITTINGS

SMARTLOCK FLARE CONNECTION

Connects copper/aluminum tube to flare valves without the need for flaring.

ITEM	TYPE	Working Pressure	Bursting Pressure	Temp. Range
SLFCMA1400	1/4" Flare Connection	1700 psi	9700 psig	-40 F to 320 F
SLFCMA3800	3/8" Flare Connection	1600 psi	8500 psig	-40 F to 320 F
SLFCMA1200	1/2" Flare Connection	1300 psi	8000 psig	-40 F to 320 F
SLFCMA5800	5/8" Flare Connection	1300 psi	7800 psig	-40 F to 320 F
SLFCMA3400	3/4" Flare Connection	1160 psi	7200 psig	-40 F to 320 F

Scan to see
how it works

SMARTLOCK STRAIGHT UNION COUPLING

Connects same-sized copper/aluminum tube to copper/ aluminum tube.

Scan to see
how it works

ITEM	TYPE	Working Pressure	Bursting Pressure	Temp. Range
SLUNST1400	1/4" Straight Union	1700 psi	9700 psig	-40 F to 320 F
SLUNST3800	3/8" Straight Union	1600 psi	8500 psig	-40 F to 320 F
SLUNST1200	1/2" Straight Union	1300 psi	8000 psig	-40 F to 320 F
SLUNST5800	5/8" Straight Union	1300 psi	7800 psig	-40 F to 320 F
SLUNST3400	3/4" Straight Union	1160 psi	7200 psig	-40 F to 320 F
SLUNST7800	7/8" Straight Union	1160 psi	7000 psig	-40 F to 320 F

SMARTLOCK SWAGE UNION

Connects copper/aluminum tube to swage valve without the need for brazing.

ITEM	TYPE	Working Pressure	Bursting Pressure	Temp. Range
SLSWUN3800	3/8" Swage Union	1600 psi	8500 psig	-40 F to 320 F
SLSWUN5800	5/8" Swage Union	1300 psi	7800 psig	-40 F to 320 F
SLSWUN3400	3/4" Swage Union	1160 psi	7200 psig	-40 F to 320 F
SLSWUN7800	7/8" Swage Union	1160 psi	7000 psig	-40 F to 320 F

Scan to see
how it worksScan to see
how it works

SMARTLOCK ELBOW UNION

Connects same-sized copper/aluminum tube to copper/ aluminum tube at a 90-degree angle. There is no reduction in flow.

ITEM	TYPE	Working Pressure	Bursting Pressure	Temp. Range
SLELUN51614	5/16"-1/4" Elbow Union	1700 psi	9700 psig	-40 F to 320 F
SLELUN3800	3/8" Elbow Union	1600 psi	8500 psig	-40 F to 320 F
SLELUN1200	1/2" Elbow Union	1300 psi	8000 psig	-40 F to 320 F
SLELUN5800	5/8" Elbow Union	1300 psi	7800 psig	-40 F to 320 F
SLELUN3400	3/4" Elbow Union	1160 psi	7200 psig	-40 F to 320 F
SLELUN7800	7/8" Elbow Union	1160 psi	7000 psig	-40 F to 320 F

HEAT PUMP UNITS

distinctions
by
Amana



DISTINCTION HEAT PUMP UNITS

<u>MODEL</u>	<u>Refrigerant Type</u>	<u>Cooling BTUH</u>	<u>Voltage</u>	<u>Electric Heat</u>	<u>EER</u>	<u>MOCP</u>	<u>COP</u>	<u>Reverse Cycle Heating BTUH</u>
DHP093A35AA	R410A	9,000/ 8,800	230v / 208	3.5/2.9 kW	11.4	20	3.4	8,100/7,900
DHP123A35AA	R410A	12,000/ 11,800	230v / 208	3.5/2.9 kW	10.5	20	3.2	10,800/10,500

DISTINCTION ACCESSORIES

<u>TYPE</u>	<u>MODEL</u>	<u>DESCRIPTION</u>	<u>Lbs.</u>
Wall Sleeve	WS900E-C	Collapsed wall sleeve, steel insulated, 14 1/8" D x 42" W x 16" H, galvanized steel, Stonewood Beige, must be field assembled	30
Drain Kit	DK900D	Drain kit	1
Exterior Grille	AGK01CB	Single pack clear anodized unpainted	9
Sub-Base	PTSB320E	230/208 Volts 15/20 Amp	8

HEAT PUMP UNITS

Heating & Air Conditioning
Amana / PTAC



ITEM	Refrigerant Type	Cooling BTUH	Voltage	Electric Heat	EER	MOCP	COP	Reverse Cycle Heating BTUH
PTH073K25AXXX	R410A	7,100 / 7,000	230v / 208	8,500 / 6,800	12.0 / 12.4	15	3.4 / 3.5	6,500 / 6,400
PTH093K25AXXX	R410A	9,000 / 9,000	230v / 208	12,000 / 9,900	11.9 / 12.0	20	3.4 / 3.4	8,200 / 8,000
PTH123K25AXXX	R410A	11,600 / 11,400	230v / 208	12,000 / 9,900	11.0 / 11.1	20	3.2 / 3.2	10,600 / 10,500

THERMOSTAT OPTIONS

ITEM	Unit Type	Heat Stages	Cool Stages	Programmable	Auto Change-Over	Connection Type	Style
PHWT-A150H	Heat Pump	2	2	No	No	Wired 24V - Min 7 Wires	Square/Digital
PHWT-A200	Heat Pump	2	2	Yes	Yes	Wired 24V - Min 7 Wires	Square/Digital
MMW-2	Heat Pump	2	2	No	No	Wireless Non-EMS	Horizontal/Digital

AMANA PTAC ACCESSORIES

TYPE	MODEL	DESCRIPTION	Lbs.
Sub-Base	PTSB320QW	230/208 Volts 15/20 Amp	8
Wall Sleeve	WS900QW	Standard wall sleeve, insulated, 14 1/8" D x 42" W x 16" H - galvanized steel, Quiet White color	30
Drain Kit	DK900QW	Drain kit - for either internal or external drain system. Quiet White color	1
Exterior Grille	AGK01CB	Single pack architectural aluminum grille, clear anodized finish	9

SANTA FE DEHUMIDIFIERS



ITEM	MODEL	Water Removal (Gallons/Day)	Current Draw (AMPS)	Dimensions (WxHxD)	Weight /LBS
SF Compact70 R454	Compact 70 Stand Alone	8.8	5.1	12x12x21	55
SFUltraMD33 R454B	Ultra MD33	4.6	2.2	14.19x30x5.75	39
SFUltra 70 R454B	Ultra 70	8.75	4.1	12x12x28	55
SFUltra V100 R454B	Ultra V100	12.6	8	14.35x24x39.25	101
SFUltra V125 R454B	Ultra V125	15.5	10.2	14.35x24x39.25	104
SFUltra V155 R454B	Ultra V155	25.6	10	14.35x24x39.25	112
SFUltra V205 R454B	Ultra V205	25.6	12.5	26.75x21.2x45.1	148

Refrigerant on pg. 128

ACCESSORIES

ITEM	DESCRIPTION
SFHangKitMedium	Hanging Kit for Ultra V100, Ultra V125, Ultra V155
SFHangKitSmall	Hanging Kit for Compact, Advance, Ultra70, Ultra98 & Ultra120 Models
SFDEH3000R	Digital Controller w/Remote Sensor-Compatible with all Ultra Series except the MD33
SFHumidipro	Honeywell HumidiPRO Digital Humidity Control
SFSMKit	Santa Fe Surface Mount Kit
SFBezel	Santa Fe Bezel Kit
SFRPKit	Santa Fe Rear Panel Kit
SFCondensatePumpKit	Condensate Pump Kit

*For surface mount installation on block (brick) wall, the surface mount kit is required

*If other side of the wall goes into unconditioned space, it may require rear panel kit

FOR PROJECT QUOTES EMAIL CITYDESK@HOFFMAN-HOFFMAN.COM

OR CALL (980) 501-5659

ABB DRIVES

- UL listed
- HVAC designed
- Full graphic display
- Type 1 enclosures



VCR - W/BYPASS & DISCONNECT

MODEL ACH580-VCR- W/Bypass - 208V				
Item #	HP	Voltage	Phase	Amps
ABACH580-VCR-10A6-2	3 HP	208	3	10.6
ABACH580-VCR-017A-2	5 HP	208	3	17
ABACH580-VCR-024A-2	7.5 HP	208	3	24
ABACH580-VCR-031A-2	10 HP	208	3	31
ABACH580-VCR-046A-2	15 HP	208	3	46
ABACH580-VCR-059A-2	20 HP	208	3	59

MODEL ACH580-VCR- W/Bypass - 460V				
Item #	HP	Voltage	Phase	Amps
ABACH580-VCR-03A0-4	1.5 HP	460V	3	3
ABACH580 - VCR -04A8-4	3 HP	460V	3	4.8
ABACH580 - VCR -07A6-4	5 HP	460V	3	7.6
ABACH580 - VCR -012A-4	7.5 HP	460V	3	12
ABACH580 - VCR -014A-4	10 HP	460V	3	14
ABACH580 - VCR -023A-4	15 HP	460V	3	23
ABACH580 - VCR -027A-4	20 HP	460V	3	27
ABACH580 - VCR -034A-4	25 HP	460V	3	34
ABACH580 - VCR -044A-4	30 HP	460V	3	44
ABACH580 - VCR -052A-4	40 HP	460V	3	52
ABACH580 - VCR -065A-4	50 HP	460V	3	65
ABACH580 - VCR -077A-4	60 HP	460V	3	77
ABACH580 - BCR -096A-4	75 HP	460V	3	96
ABACH580 - BCR -124A-4	100 HP	460V	3	124
ABACH550-BCR-097A-4	75 HP	460V	3	96

BASE DRIVES - NO BYPASS

MODEL ACH580-01- Base Drive - 208V				
Item #	HP	Voltage	Phase	Amps
ABACH580-01-10A6-2	3 HP	208	3	10.6
ABACH580-01-017A-2	5 HP	208	3	17
ABACH580-01-024A-2	7.5 HP	208	3	24
ABACH580-01-031A-2	10 HP	208	3	31
ABACH580-01-046A-2	15 HP	208	3	46
ABACH580-01-059A-2	20 HP	208	3	59

MODEL ACH580-01- Base Drive - 460V				
Item #	HP	Voltage	Phase	Amps
ABACH580 -01-03A0-4	1.5 HP	460V	3	3
ABACH580-01-04A8-4	3 HP	460V	3	4.8
ABACH580-01-07A6-4	5 HP	460V	3	7.6
ABACH580-01-012A-4	7.5 HP	460V	3	12
ABACH580-01-014A-4	10 HP	460V	3	14
ABACH580-01-023A-4	15 HP	460V	3	23
ABACH580-01-027A-4	20 HP	460V	3	27
ABACH580-01-034A-4	25 HP	460V	3	34
ABACH580-01-044A-4	30 HP	460V	3	44
ABACH580-01-052A-4	40 HP	460V	3	52
ABACH580-01-065A-4	50 HP	460V	3	65
ABACH580-01-077A-4	60 HP	460V	3	77
ABACH580-01-096A-4	75 HP	460V	3	96
ABACH580-01-124A-4	100 HP	460V	3	124

ABB ACCESSORIES

ITEM	DESCRIPTION
ABACH-AP-H	ABB ACH580 Control Panel
ABACH-AP-W	BLUETOOTH CONTROL PANEL HAND-OFF-AUTO
ABFBIP-21-KIT	ETHERNET/IP ADAPTER K490ETHERNET/IP ADAPTER
ABFMBT-21-KIT	MODBUS/TCP ADAPTERMODBUS/TCP ADAPTER
ABACH-CP-B	ABB ACH550 Control Panel
ABRLON-01-KIT	ABB ACH550 Lonworks Adapter
ABFLON-01-KIT	ABB ACH580 Lonworks Adapter

FRANKLIN ELECTRIC STARTERS

Building Automation Starter (BAS)

3 ϕ 200 - 600V 1/2 - 30 HP (1A Min.)

- HOA Keypad with LED indication
- Universal Power Supply - Accepts 200 - 600VAC
- 2.5 Million Lifecycle Contactor
- Solid-state Adjustable Overload w/ phase protection
- SmartStart® technology prevents motor damage on startup
- Integral control board for easy BMS integration
- Run and Fault status outputs for monitoring
- Fireman's Override, Shutdown, and Permissive auto inputs
- No relays or sensors necessary, reduced install time.
- 24VDC damper/actuator output
- 5 Year Product Warranty



Options

- UL Type 1 molded enclosure
- UL Type 3R, white, powder coated enclosure
- Combination style with MCP input disconnect included

BAS W/ SMARTSTART STANDARD STARTER

NEMA 1 IPC	Part Number	Single Phase	Three Phase				Contractor NEMA Size
		230V	208V	230V	460V	575V	
P71	FEBAS1-9-P-40	1/4HP - 1HP	1/4HP - 2HP	1/2HP - 2HP	3/4HP - 5HP	1/2HP-7.5HP	00
P71	FEBAS1-18-P-40	2HP	3HP	3HP - 5HP	7.5HP - 10HP	10HP-15HP	0
P71	FEBAS1-32-P-40	3HP - 5HP	5HP - 7.5HP	7.5HP - 10HP	15HP - 20HP	20HP-25HP	1

BAS W/ SMARTSTART COMBINATION STARTER (W/ A DISCONNECT)

NEMA 1 IPC	Part Number	Single Phase	Three Phase				Contractor NEMA Size
		230V	208V	230V	460V	575V	
P71	FEBAS1-9-P-G2-5-40	1/6HP	1/2HP	1/2HP	1HP	1.5HP	00
P71	FEBAS1-9-P-G4-40	1/3HP	3/4HP	3/4HP	2HP	3HP	00
P71	FEBAS1-9-P-G6-40	1/2HP	1HP	1.5HP	3HP	3HP	00
P71	FEBAS1-9-P-G8-40	1HP	2HP	2HP	5HP	5HP	00
P71	FEBAS1-18-P-G10-40	1.5HP	2HP	3HP	5HP	7.5HP	0
P71	FEBAS1-18-P-G13-40	2HP	3HP	3HP	7.5HP	10HP	0
P71	FEBAS1-18-P-G17-40	3HP	3HP	5HP	10HP	15HP	0
P71	FEBAS1-32-P-G22-40	3HP	5HP	7.5HP	15HP	20HP	1
P71	FEBAS1-32-P-G26-40	3HP	7.5HP	7.5HP	15HP	20HP	1
P71	FEBAS1-32-P-G32-40	5HP	7.5HP	10HP	20HP	25HP	1

HVAC COMPONENTS

CONDENSOR FAN MOTORS

ITEM	DESCRIPTION
MR 10403	1/6HP 208-230V 825RPM COND MTR
MR 10404	1/4HP 208-230V 825RPM COND MTR
MR 10405	1/3HP 208-230V 825RPM COND MTR
MR 10411	1/8HP 825RPM 208-230 COND MTR
MR 10412	1/5HP 825RPM 208-230 COND MTR
MR 10458	1/3-1/6HP 208-230V 1075RPM WIZ
MR 10459	1/3-1/8HP 208-230V 825RPM WIZ
MR 10463	1/6-1/2 MULTI-HP 115V BLOWER MTR
MR 10464	1/6-1/2 MULTI HP 230V BLOWER MTR
MR 10466	1/5-3/4 MULTI HP 115V BLOWER MTR
MR 10467	1/5-3/4 MULTI HP 230V BLOWER MTR
MR 10725	1/8HP 1075RPM 208-230 COND MTR
MR 10726	1/5HP 1075RPM 208-230 COND MTR
MR 10727	1/6HP 208-230V 1075RPM COND MTR
MR 10728	1/4HP 208-230V 1075RPM COND MTR
MR 10729	1/3HP 208-230V 1075RPM COND MTR
MR 10730	1/2HP 208-230V 1075RPM COND MTR

AZURE ECM

ITEM	DESCRIPTION
MR 10858	Universal 1/5-1/2HP AZURE FOR X13
MR 10859	Universal 1/2-1HP AZURE FOR X13
MR 10874	Universal AZURE 1/8-1/3 HP COND FAN MTR

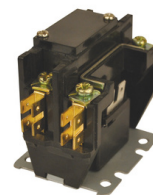
RELAYS

ITEM	DESCRIPTION
MR 90340	2-Pole Air Conditioning Relay
MR 90290	SPST 24V Relay
MR 33242	24 Volt Thermal Time Delay Relays Sequencers SPST Switch Type
MR 33245	24 Volt Thermal Time Delay Relays Sequencers DPST Switch Type
WR-90340S1	DPDT 24V Fan Relay
WR-90341S1	DPDT 15A Fan Relay
WR-90380S1	24 V HD Fan Relay



CONTACTORS

Designed for use on refrigeration, air conditioning, and electric heating systems. The universal mounting base allows replacement of most contactor brands.



ITEM	DESCRIPTION
MR 17311	JARD 30A 1-1/2P 24V
MR 17315	JARD W/LUGS 30A 1 1/2P 24V
MR 17321	JARD 30A 2P 24V
MR 17325	JARD W/LUGS 30A 2P 24V
MR 17335	JARD W/LUGS 30A 3P 24V
MR 17336	JARD W/LUGS 30A 3P 120V
MR 17337	JARD W/LUGS 30A 3P 240V
MR 17415	JARD W/LUGS 40A 1 1/2P 24V
MR 17425	JARD W/LUGS 40A 2P 24V
MR 17435	JARD W/LUGS 40A 3P 24V
MR 17436	JARD W/LUGS 40A 3P 120V
MR 17437	JARD W/LUGS 40A 3P 240V
MR 17535	JARD W/LUGS 50A 3P 24V
MR 17536	JARD W/LUGS 50A 3P 120V
MR 17537	JARD W/LUGS 50A 3P 240V
MR 17635	JARD W/LUGS 60A 3P 24V
MR 17636	JARD W/LUGS 60A 3P 120V
MR 17637	JARD W/LUGS 60A 3P 240V
MR 17735	JARD W/LUGS 75A 3P 24V
MR 17736	JARD W/LUGS 75A 3P 120V
MR 17737	JARD W/LUGS 75A 3P 240V
MR 17935	JARD W/LUGS 90A 3P 24V
MR 17936	JARD W/LUGS 90A 3P 120V
MR 17937	JARD W/LUGS 90A 3P 240V

WHITE ROGERS CONTACTORS

ITEM	DESCRIPTION
WR-94388S1	1 Pole Contactor
WR-94394S1	1 Pole Contactor
WR-90244S1	2 Pole Contactor
WR-90247S1	2 Pole Contactor
WR-49M11843	Sure Switch Contactor

SERVICE & INSTALL PARTS

DRAIN LINE

MR 79127	Corrugated Drain Line
----------	-----------------------

CONCENTRIC KITS

MR 72950	2" Concentric Kit
MR 72951	3" Concentric Kit
MR 72596	2" Replacement Cap
MR 72597	3" Replacement Cap



COMPRESSOR TERMINAL REPAIR KIT

MR 8565	Compressor Terminal Repair Kit
---------	--------------------------------

PRESSURE CONTROLS

MR 43941	Universal Low Pressure 5/20
MR 43943	Universal Low Pressure 10/25
MR 43945	Universal Low Pressure 20/45
MR 43922	Universal High Pressure 250/150
MR 43925	Universal High Pressure 300/200
MR 43965	Universal High Pressure 590/418

IGNITION COMPONENTS & CONTROL BOARDS

WR-21M51U843	2 ST Furn 120V Ignition Furnace Control
WR-36C03-300	STD Pilot 1/2X3/4 Fast Opening
WR-47D01U843	HP Defrost Control
WR-50E47U843	Ignition Module
WR-50M56X843	Single Stage w/ 120V Ignitor
WR-790843A5PK	Universal Flame Sensor 5PK



FLAME SENSORS

Direct OEM replacements



MR 67680	GOODMAN 10735201
MR 67681	SOURCE 1 SI-02537499000
MR 67682	SOURCE 1 SI-02530788700
MR 67683	GOODMAN 0130F00010
MR 67684	Allied 44L48
MR 67685	Source 1 SI-02535306000
MR 67686	Source 1 SI-02527773700
MR 67687	Source 1 SI-02535354000
MR 67688	GOODMAN B1172601
MR 67689	Source 1 SI-02530802000



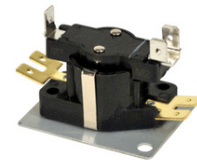
UNIVERSAL HOT SURFACE IGNITER

MR 68040	Universal Hot Surface Igniter
----------	-------------------------------



THERMOCOUPLES

MR 72218	TC-18P 18"
MR 72224	TC-24P 24"
MR 72230	TC-30P 30"
MR 72236	TC-36P 36"
MR 72248	TC-48P 48"



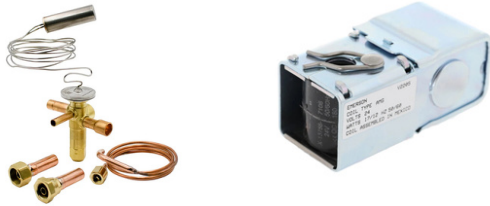
ELECTRICAL HEAT SEQUENCERS

MR 33241	Electrical Heat Sequencers Single Pole
MR 33244	Electrical Heat Sequencers Double Pole
MR 33844	Double Pole

SERVICE & INSTALL PARTS

UNIVERSAL TXV CONNECT KITS

ITEM	DESCRIPTION
WR-057342	X27979G 70 6 AMG Clip
WR-057341	X27979G AMG Clip
WR-057331	X2797 G AMG Clip
WR-066660	5T TXV R-410A
WR-66661	4T TXV R-410A
WR-066662	3T TXV R-410A
WR-066663	2T TXV R-410A
WR-066664	1 1/2T TXV R-410A



LIQUID LINE FILTER DRIER

WR-BSL083S	Econ Liquid Drier 8CU
WR-BSL163S	Econ Liquid Drier 16CU
WR-059542	H48 Can Block
WR-047608	EK083S Filter Drier
WR-066131	BSB163S Filter Drier

TURBO PRODUCTS

ITEM	Description	Microfarad	Voltage
MR 11200	TURBOLYTIC 50 23-302MFD 330V	23 MFD - 302 MFD	125V to 330V
MR 12100	TURBO 200 MINI 2.5/5/7.5 MFD	2.5 MFD - 15 MFD	370V or 440V
MR 12200	TURBO 200 2.5/5/5/10/20/25 MFD	2.5 MFD - 67.5 MFD	370V or 440V
MR 12300	TURBO 200X 5/5/7.5/10/20/50 MFD	5 MFD - 97.5 MFD	370V or 440V
MR 12600	TURBO EASY-START HARDSTART	Up to 1 ton 108 - 130 MFD 1 to 2 tons 189 - 227 MFD 2.5 to 3 tons 233 - 280 MFD 3.5 to 5 tons 270 - 324 MFD	Up to 330V



DISCONNECTS

MR 83315	MARS 60A Non-Fused Disconnect
MR 83617	MARS 60A Fused Disconnect
MR 83925	60A NF Disconnect W/ Surge

TRANSFORMERS

MR 50321	75VA 120/208/240/480V TO 24V
MR 50341	100VA 120/208/240/480V TO 24V
MR 50354	40VA 120/208/240V TO 24V FOOT

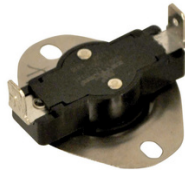


HVAC HEATING COMPONENTS



LIMIT SWITCHES

ITEM	DESCRIPTION
MR 39087	Limit Switches Open 130 Close 90
MR 39018	Limit Switches Open 140 Close 100
MR 39019	Limit Switches Open 150 Close 110
MR 39020	Limit Switches Open 160 Close 120
MR 39021	Limit Switches Open 170 Close 130
MR 39022	Limit Switches Open 180 Close 140
MR 39023	Limit Switches Open 190 Close 150
MR 39024	Limit Switches Open 200 Close 160
MR 39025	Limit Switches Open 210 Close 170
MR 39026	Limit Switches Open 220 Close 180
MR 39027	Limit Switches Open 230 Close 190
MR 39028	Limit Switches Open 240 Close 200
MR 39029	Limit Switches Open 250 Close 210
MR 39030	Limit Switches Open 270 Close 230
MR 39031	Limit Switches Open 300 Close 260
MR 39033	Limit Switches Open 350 Close 310



HIGH LIMIT THERMOSTATS

ITEM	DESCRIPTION
MR 39312	High Limit Thermostats For Electric Heat Open 120
MR 39314	High Limit Thermostats For Electric Heat Open 130
MR 39318	High Limit Thermostats For Electric Heat Open 145
MR 39320	High Limit Thermostats For Electric Heat Open 150
MR 39324	High Limit Thermostats For Electric Heat Open 160
MR 39326	High Limit Thermostats For Electric Heat Open 170
MR 39328	High Limit Thermostats For Electric Heat Open 180
MR 39330	High Limit Thermostats For Electric Heat Open 190



FAN & LIMIT SWITCHES

ITEM	DESCRIPTION
MR 39037	Fan & Limit Switches manual Reset Open 140
MR 39038	Fan & Limit Switches manual Reset Open 150
MR 39039	Fan & Limit Switches manual Reset Open 160
MR 39095	Fan & Limit Switches manual Reset Open 170
MR 39096	Fan & Limit Switches manual Reset Open 180
MR 39098	Fan & Limit Switches manual Reset Open 200
MR 39040	Fan & Limit Switches manual Reset Open 210
MR 39097	Fan & Limit Switches manual Reset Open 190
MR 39006	Fan & Limit Switches Auto reset Open 90 Close 110
MR 39007	Fan & Limit Switches Auto reset Open 100 Close 120
MR 39008	Fan & Limit Switches Auto reset Open 110 Close 130
MR 39009	Fan & Limit Switches Auto reset Open 120 Close 140
MR 39010	Fan & Limit Switches Auto reset Open 130 Close 150
MR 39011	Fan & Limit Switches Auto reset Open 140 Close 160
MR 39205	Adjustable Fan & Limit Switch Range 90-30
MR 39220	Adjustable Fan & Limit Switch Range 135-175
MR 39225	Adjustable Fan & Limit Switch Range 175-215
MR 39230	Adjustable Fan & Limit Switch Range 210-250
MR 39235	Adjustable Fan & Limit Switch Range 250-290

RUN CAPACITORS

Tested and approved by every major US motor company and compressor company.

MR 14027	MARS USA 3 MFD 440/370V OVAL	MR 14088	MARS USA 40/10 MFD 440/370V RD
MR 14028	MARS USA 4 MFD 440/370V OVAL	MR 14124	MARS USA 50/10MFD 440/370V RND
MR 14029	MARS USA 5 MFD 440/370V OVL	MR 14126	MARS USA 30/3 MFD 440/370V RND
MR 14030	MARS USA 6 MFD 440/370V OVL	MR 14162	MARS USA 65/10 MFD 440/370V RD
MR 14031	MARS USA 7.5 MFD 440/370V OVL	MR 14166	MARS USA 70/7.5MFD 440/370V RD
MR 14032	MARS USA 10 MFD 440/370V OVL	MR 14169	MARS USA 70/10 MFD 440/370V RD
MR 14033	MARS USA 12.5 MFD 440/370V OVL	MR 14172	MARS USA 45/10 MFD 440/370V RD
MR 14034	MARS USA 15 MFD 440/370V OVL	MR 14278	MARS USA 25/5 MFD 440/370V RND
MR 14037	MARS USA 20 MFD 440V OVL	MR 14279	MARS USA 25/7.5MFD 440/370 RND
MR 14040	MARS USA 25 MFD 440V OVL	MR 14281	MARS USA 30/5 MFD 440/370V RND
MR 14041	MARS USA 30 MFD 440/370V OVAL	MR 14282	MARS USA 30/7.5MFD 440/370V RD
MR 14043	MARS USA 35 MFD 440V OVL	MR 14283	MARS USA 35/5 MFD 440/370V RND
MR 14045	MARS USA 40 MFD 440V OVL	MR 14284	MARS USA 35/7.5MFD 440/370V RD
MR 14077	MARS USA 35/3 MFD 440/370V RND	MR 14286	MARS USA 40/5 MFD 440/370V RND
MR 14078	MARS USA 40/3 MFD 440/370 RND	MR 14293	MARS USA 55/7.5MFD 440/370V RD
MR 14079	MARS USA 45/3 MFD 440/370 RND	MR 14294	MARS USA 60/5 MFD 440/370V RND
MR 14287	MARS USA 40/7.5MFD 440/370V RD	MR 14295	MARS USA 60/7.5MFD 440/370V RD
MR 14288	MARS USA 45/5 MFD 440/370V RND	MR 14296	MARS USA 60/10 MFD 440/370V RD
MR 14289	MARS USA 45/7.5MFD 440/370V RD	MR 14299	MARS USA 55/10 MFD 440/370V RD
MR 14290	MARS USA 50/5 MFD 440/370V RND	MR 14353	MARS USA 25/3 MFD 440/370V RND
MR 14291	MARS USA 50/7.5MFD 440/370V RD		
MR 14292	MARS USA 55/5 MFD 440/370V RND		

UNIVERSAL CAPACITOR MOUNT

MR 12800	AmRad Universal Capacitor Mount
----------	---------------------------------



HVAC COMPONENTS

CONDENSATE PUMPS & ACCESSORIES SWITCHES

ITEM	DESCRIPTION
RS97632	SS1 Float Switch
RS97087	SS2 Float Switch
RS97647	Safe-T-Switch SS3
RS97622	Safe-T-Switch SS610E
RS83230	Smart Trap Tamper Resistant
RS83210	Smart Trap Tamper Resistant
RS96100	AG1100+ Aquaguard Float Switch
RS96106	AG1200+ Aquaguard Float Switch
RS83887	Condensate Removal Pump
RS83930	Aspen Mini White Variable Speed Condensate Pump
RS83887	Aspen RTP Tank Pump
RS83888	RTP Tank Pump 24' 230V
RS83888	Variable Speed Mini White Pump



DRAIN PANS

ITEM	DESCRIPTION
RS96206	Goliath 30x52 Drain Pan
RS96208	Goliath 30x62 Drain Pan
RS96240	Titan 30x62 Drain Pan
CRDP30x30	Drain Pan 30 26GA
CRDP30x60	Drain Pan 60 26GA
CRDP30x72	Drain Pan 72 26GA
CRDP36x36	Drain Pan 36 26GA

TUBING

ITEM	DESCRIPTION
MR 79131	Clear Vinyl Tubbing 1/4 Inch 100 FT.
MR 79132	Clear Vinyl Tubbing 3/8 Inch 100 FT.
MR 79133	Clear Vinyl Tubbing 1/2 Inch 100 FT.
MR 79134	Clear Vinyl Tubbing 5/8 Inch 100 FT.
MR 79045	Tubing Braided 1/4"x 50' PVC
MR 79046	Tubing Braided 3/8"x50' PVC
MR 79047	Tubing Braided 1/2"x50' PVC
MR 79048	Tubing Braided 5/8"x50' PVC
RS83000	1/4x50ft. PVC Tubing
RS66733	3/8x3 ft. No Kink Hose



GOODYEAR BELTS

Goodyear belts help ensure the reliable and efficient operation of heating, cooling, and ventilation systems in residential, commercial, and industrial settings

MR 75323	GOODYEAR V-BELT A19	MR 75358	GOODYEAR V-BELT A54
MR 75325	GOODYEAR V-BELT A21	MR 75359	GOODYEAR V-BELT A55
MR 75326	GOODYEAR V-BELT A22	MR 75360	GOODYEAR V-BELT A56
MR 75327	GOODYEAR V-BELT A23	MR 75361	GOODYEAR V-BELT A57
MR 75328	GOODYEAR V-BELT A24	MR 75362	GOODYEAR V-BELT A58
MR 75329	GOODYEAR V-BELT A25	MR 75363	GOODYEAR V-BELT A59
MR 75330	GOODYEAR V-BELT A26	MR 75364	GOODYEAR V-BELT A20
MR 75331	GOODYEAR V-BELT A27	MR 75366	GOODYEAR V-BELT A60
MR 75332	GOODYEAR V-BELT A28	MR 75422	GOODYEAR V-BELT B30
MR 75333	GOODYEAR V-BELT A29	MR 75424	GOODYEAR V-BELT B32
MR 75334	GOODYEAR V-BELT A30	MR 75425	GOODYEAR V-BELT B33
MR 75335	GOODYEAR V-BELT A31	MR 75426	GOODYEAR V-BELT B34
MR 75336	GOODYEAR V-BELT A32	MR 75427	GOODYEAR V-BELT B35
MR 75337	GOODYEAR V-BELT A33	MR 75428	GOODYEAR V-BELT B36
MR 75338	GOODYEAR V-BELT A34	MR 75429	GOODYEAR V-BELT B37
MR 75339	GOODYEAR V-BELT A35	MR 75430	GOODYEAR V-BELT B38
MR 75340	GOODYEAR V-BELT A36	MR 75431	GOODYEAR V-BELT B39
MR 75341	GOODYEAR V-BELT A37	MR 75432	GOODYEAR V-BELT B40
MR 75342	GOODYEAR V-BELT A38	MR 75433	GOODYEAR V-BELT B41
MR 75343	GOODYEAR V-BELT A39	MR 75434	GOODYEAR V-BELT B42
MR 75344	GOODYEAR V-BELT A40	MR 75435	GOODYEAR V-BELT B43
MR 75345	GOODYEAR V-BELT A41	MR 75436	GOODYEAR V-BELT B44
MR 75346	GOODYEAR V-BELT A42	MR 75437	GOODYEAR V-BELT B45
MR 75347	GOODYEAR V-BELT A43	MR 75438	GOODYEAR V-BELT B46
MR 75348	GOODYEAR V-BELT A44	MR 75439	GOODYEAR V-BELT B47
MR 75349	GOODYEAR V-BELT A45	MR 75440	GOODYEAR V-BELT B48
MR 75350	GOODYEAR V-BELT A46	MR 75441	GOODYEAR V-BELT B49
MR 75351	GOODYEAR V-BELT A47	MR 75442	GOODYEAR V-BELT B50
MR 75352	GOODYEAR V-BELT A48	MR 75443	GOODYEAR V-BELT B51
MR 75353	GOODYEAR V-BELT A49	MR 75444	GOODYEAR V-BELT B52
MR 75354	GOODYEAR V-BELT A50	MR 75445	GOODYEAR V-BELT B53
MR 75355	GOODYEAR V-BELT A51	MR 75446	GOODYEAR V-BELT B54
MR 75356	GOODYEAR V-BELT A52	MR 75447	GOODYEAR V-BELT B55
MR 75357	GOODYEAR V-BELT A53	MR 75448	GOODYEAR V-BELT B56
		MR 75449	GOODYEAR V-BELT B57



GOODYEAR BELTS

Goodyear belts help ensure the reliable and efficient operation of heating, cooling, and ventilation systems in residential, commercial, and industrial settings

MR 75450	GOODYEAR V-BELT B58
MR 75451	GOODYEAR V-BELT B59
MR 75452	GOODYEAR V-BELT B60
MR 75453	GOODYEAR V-BELT B61
MR 75454	GOODYEAR V-BELT B62
MR 75455	GOODYEAR V-BELT B63
MR 75456	GOODYEAR V-BELT B64
MR 75457	GOODYEAR V-BELT B65
MR 75458	GOODYEAR V-BELT B66
MR 75459	GOODYEAR V-BELT B67
MR 75460	GOODYEAR V-BELT B68
MR 75461	GOODYEAR V-BELT B69
MR 75462	GOODYEAR V-BELT B70
MR 75463	GOODYEAR V-BELT B71
MR 75464	GOODYEAR V-BELT B72
MR 75465	GOODYEAR V-BELT B73
MR 75466	GOODYEAR V-BELT B74
MR 75467	GOODYEAR V-BELT B75
MR 75468	GOODYEAR V-BELT B76
MR 75469	GOODYEAR V-BELT B77
MR 75470	GOODYEAR V-BELT B78
MR 75471	GOODYEAR V-BELT B79
MR 75472	GOODYEAR V-BELT B80
MR 75473	GOODYEAR V-BELT B81
MR 75474	GOODYEAR V-BELT B82
MR 75475	GOODYEAR V-BELT B83
MR 75476	GOODYEAR V-BELT B84
MR 75477	GOODYEAR V-BELT B85
MR 75480	GOODYEAR V-BELT B88
MR 75482	GOODYEAR V-BELT B90
MR 75483	GOODYEAR V-BELT B92
MR 75484	GOODYEAR V-BELT B93
MR 75486	GOODYEAR V-BELT B95
MR 75487	GOODYEAR V-BELT B96
MR 75488	GOODYEAR V-BELT B97

MR 75491	GOODYEAR V-BELT B100
MR 75492	GOODYEAR V-BELT B103
MR 75493	GOODYEAR V-BELT B105
MR 75495	GOODYEAR V-BELT B108
MR 75497	GOODYEAR V-BELT B112
MR 75499	GOODYEAR V-BELT B116
MR 75501	GOODYEAR V-BELT B120
MR 75502	GOODYEAR V-BELT B124
MR 75504	GOODYEAR V-BELT B128
MR 75506	GOODYEAR V-BELT B136
MR 75508	GOODYEAR V-BELT B144
MR 75510	GOODYEAR V-BELT B150
MR 75179	GOODYEAR V-BELT 4L400
MR 75180	GOODYEAR V-BELT 4L410
MR 75181	GOODYEAR V-BELT 4L420
MR 75182	GOODYEAR V-BELT 4L430
MR 75183	GOODYEAR V-BELT 4L440
MR 75184	GOODYEAR V-BELT 4L450
MR 75185	GOODYEAR V-BELT 4L460
MR 75186	GOODYEAR V-BELT 4L470
MR 75187	GOODYEAR V-BELT 4L480
MR 75188	GOODYEAR V-BELT 4L490
MR 75189	GOODYEAR V-BELT 4L500
MR 75190	GOODYEAR V-BELT 4L510
MR 75191	GOODYEAR V-BELT 4L520
MR 75192	GOODYEAR V-BELT 4L530
MR 75193	GOODYEAR V-BELT 4L540
MR 75194	GOODYEAR V-BELT 4L550
MR 75195	GOODYEAR V-BELT 4L560
MR 75196	GOODYEAR V-BELT 4L570
MR 75197	GOODYEAR V-BELT 4L580
MR 75198	GOODYEAR V-BELT 4L590
MR 75199	GOODYEAR V-BELT 4L600



ROOF MOUNTED EXHAUST FANS

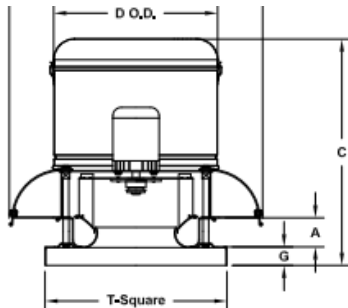


MODEL ACED - ROOF MOUNTED - DIRECT DRIVE

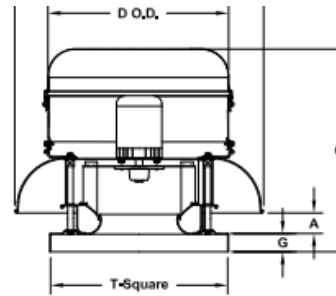
- Downblast centrifugal design with aluminum base
- Includes NEMA 1 disconnect
- Backdraft damper NOT included (See Cook accessories)
- AMCA certified and UL listed



ITEM	Model	CFM	SP	HP	Fan RPM	Sones	Volt/PH/Hz	Base	Damper
LCACED-70C15DH	ACED	247	0.125	1/20	1550	5.1	115/1/60	18	LCBD-8
LCACED-90C15DH	ACED	643	0.25	1/8	1550	8.9	115/1/60	18	LCBD-10
LCACED-120C17DEC	ACED-EC	1350	0.25	1/2	1463	11.4	115/1/60	20	LCBD-12
LCACED-120C15D	ACED	1527	0.25	1/4	1550	12.4	115/1/60	20	LCBD-12
LCACED-135C17DEC	ACED-EC	1995	0.25	3/4	1417	13.9	115/1/60	20	LCBD-12
LCACED-135C15D	ACED	2215	0.25	1/2	1550	15.9	115/1/60	20	LCBD-12
LCACED-150C16DEC	ACED-EC	2720	0.25	1	1388	16.8	115/1/60	24	LCBD-16



SIZES 70-100 C-FACE MOTOR MOUNT



SIZES 101-180 C-FACE MOTOR MOUNT

ITEM	A	B	C	D	G	T SQ.	Roof opening sq.
LCACED-70C15DH	1-3/4	13-5/8	13-13/16	16-3/4	2	18	13-1/2
LCACED-90C15DH	2-1/2	18-3/4	16-13/16	16-3/4	2	18	13-1/2
LCACED-120C17DEC	1-7/16	28-7/16	27-1/16	20-3/8	2	20	15-1/2
LCACED-120C15D	1-15/16	28-7/16	28-11/16	20-3/8	2	20	15-1/2
LCACED-135C17DEC	2-13/16	32-7/8	29-3/16	23-13/16	2	24	19-1/2

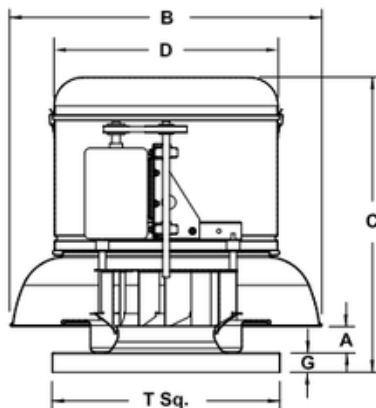
ROOF MOUNTED EXHAUST FANS



MODEL ACEB - ROOF MOUNTED - BELT DRIVE

- Downblast centrifugal design with aluminum base
- Includes NEMA 1 disconnect
- Backdraft damper NOT included (See Cook accessories)
- AMCA certified and UL listed

ITEM	Model	CFM	SP	HP	Fan RPM	Sones	Volt/PH/Hz	Base	Damper
LCACEB70C3B	ACEB	333	0.25	1/4	1725	12.9	115/1/60	18	LCBD-12
LCACEB-80C4B	ACEB	720	0.25	1/3	1725	12.4	115/1/60	18	LCBD-12
LCACEB100C3B	ACEB	795	0.25	1/4	1599	9.7	115/1/60	18	LCBD-12
LCACEB120C3B	ACEB	1050	0.25	1/4	1153	7.5	115/1/60	20	LCBD-14
LCACEB-120C4B	ACEB	1560	0.25	1/3	1578	12.7	115/1/60	20	LCBD-14
LCACEB-135C4B	ACEB	1900	0.25	1/3	1358	13.0	230/1/60	20	LCBD-14
LCACEB-150C5B	ACEB	2350	0.25	1/2	1224	13.8	230/1/60	24	LCBD-18
LCACEB-165C5B	ACEB	2840	0.25	1/2	1112	13.6	230/1/60	24	LCBD-18
LCACEB-165C6B	ACEB	3390	0.25	3/4	1296	18.5	230/1/60	24	LCBD-18
LCACEB-195C7B	ACEB	4400	0.25	1	1018	16.8	230/3/60	30	LCBD-24
LCACEB-210C7B	ACEB	4930	0.25	1	918	16.1	230/3/60	30	LCBD-24
LCACEB-270C7B	ACEB	6160	0.25	1	551	10.3	230/3/60	36	-
LCACEB-330C7B	ACEB	7650	0.25	1	394	8.2	230/3/60	42	-
LCACEB-330C9B	ACEB	10200	0.25	2	489	13.5	230/3/60	42	-



ITEM	A	B	C	D	G	T SQ.	Roof opening sq.
LCACEB70C3B	2-7/8	23-9/16	21-1/8	16-11/16	2	18	13-1/2
LCACEB-80C4B	2-7/8	23-9/16	21-1/8	16-11/16	2	18	13-1/2
LCACEB100C3B	2-7/8	23-9/16	21-1/8	16-11/16	2	18	13-1/2
LCACEB120C3B	1-13/16	28-7/16	26-7/8	20-5/16	2	20	15-1/2
LCACEB-120C4B	2-3/16	28-7/16	27-1/4	20-5/16	2	20	15-1/2
LCACEB-135C4B	3-1/16	32-7/8	28-7/8	23-3/4	2	24	19-1/2
LCACEB-150C5B	3-9/16	32-7/8	29-3/8	23-3/4	2	24	19-1/2
LCACEB-165C5B	4-7/16	37-11/16	35	26-1/16	3	30	25-1/2
LCACEB-165C6B	4-3/4	43-5/8	37-1/4	29-7/8	3	30	25-1/2
LCACEB-195C7B	6-1/8	47-5/8	39-7/8	35-7/8	3	36	31-1/2
LCACEB-210C7B	7-5/16	52-5/8	49-5/16	41-7/8	3	42	37-1/2

ROOF MOUNTED EXHAUST FANS

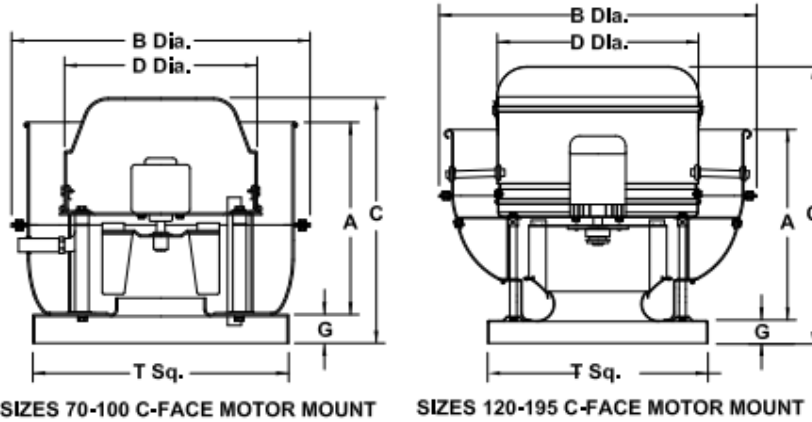


MODEL ACRUD - ROOF MOUNTED - DIRECT DRIVE

- Upblast centrifugal design with aluminum base
- Includes NEMA 1 disconnect
- Backdraft damper NOT included (See Cook accessories)
- AMCA certified and UL 705 listed



ITEM	Model	CFM	SP	HP	Fan RPM	Sones	Volt/PH/Hz	Base	Damper
LCACRUD-70R15DH	ACRUD	209	0.125	1/20	1550	6.4	115/1/60	18	BD-12
LCACRUD-90R10DH	ACRUD	348	0.125	1/25	1050	4.3	115/1/60	18	BD-12
LCACRUD-101R11D	ACRUD	558	0.125	1/3	1140	5.7	115/1/60	18	BD-12
LCACRUD-101R15D	ACRUD	807	0.125	1/8	1550	9.8	115/1/60	18	BD-12
LCACRUD-120R17DEC	ACRUD-EC	1005	0.25	1/2	1162	8.7	115/1/60	20	BD-14



ITEM	A	B	C	D	G	T SQ.	Roof Opening Sq.
LCACRUD-70R15DH	11	17-1/8	13-3/8	16-3/4	2	18	13-1/2
LCACRUD-90R10DH	13-1/2	21-1/8	16-3/8	16-3/4	2	18	13-1/2
LCACRUD-101R11D	12-1/2	24-1/4	20-3/16	16-3/4	2	18	13-1/2
LCACRUD-101R15D	19-1/16	30-3/16	28-1/8	20-3/8	2	20	15-1/2

ROOF MOUNTED EXHAUST FANS



MODEL VCR - ROOF MOUNTED - BELT DRIVE - UL 762 RESTAURANT

- Upblast centrifugal design with aluminum base
- Includes NEMA 3 disconnect
- Backdraft damper not included
- PVC grease tube
- Motor and disconnect to be wired for dual voltage
- AMCA certified and UL 762 listed

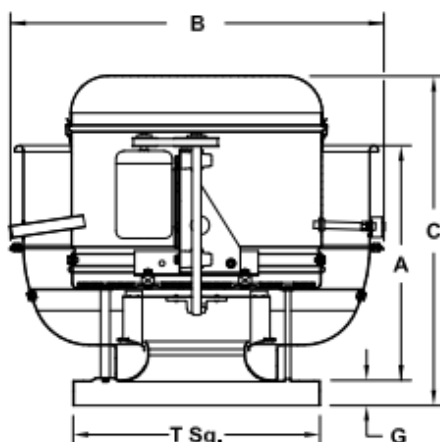


ITEM	Model	CFM	SP	HP	Fan RPM	Sones	Volt/PH/H z	Base
LCVCR-120V3B	VCR	1300	0.25	1/4	1419	12.8	230/1/60	20
LCVCR-135V5B	VCR	2000	0.25	1/2	1483	17.7	230/1/60	20

MODEL VCRD - ROOF MOUNTED - DIRECT DRIVE - UL 762 RESTAURANT

- Upblast centrifugal design with aluminum base
- Includes NEMA 3 disconnect
- Backdraft damper not included
- PVC grease tube
- Motor and disconnect to be wired for dual voltage
- AMCA certified and UL 762 listed

ITEM	Model	CFM	SP	HP	Fan RPM	Sones	Volt/PH/Hz	Base
LCVCRD-120V17DEC	VCRD-EC	1373	0.25	1/2	1478	13.6	230/1/60	20
LCVCRD-135V17DEC	VCRD-EC	1923	0.25	3/4	1394	16.1	230/1/60	20
LCVCRD-150V16DEC	VCRD-EC	2671	0.25	1	1392	19.9	230/1/60	24



ITEM	A	B	C	G	T Sq.	Roof Opening Sq.
LCVCR-120V3B	19-1/16	30-3/16	28-1/4	2	20	15-1/2
LCVCR-135V5B	19-1/16	30-3/16	28-5/8	2	20	15-1/2
LCVCRD-120V17DEC	19-1/16	30-3/16	28-1/4	2	20	15-1/2
LCVCRD-135V17DEC	19-1/16	30-3/16	28-5/8	2	20	15-1/2
LCVCRD-150V16DEC	20-15/16	34-11/16	30-1/4	2	24	19-1/2

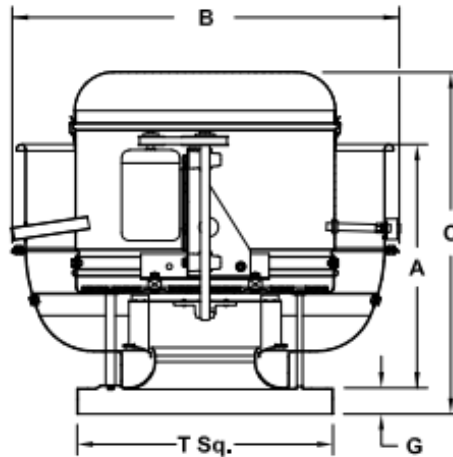
WALL MOUNTED EXHAUST FANS


**MODEL VCRD - WALL MOUNT - DIRECT
DRIVE - UL 762 RESTAURANT**

- Wall mount centrifugal design with aluminum base
- Includes NEMA 3 disconnect
- Backdraft damper
- PVC grease tube
- Motor and disconnect to be wired for dual voltage
- AMCA certified and UL 762 listed



<u>ITEM</u>	<u>CFM</u>	<u>SP</u>	<u>HP</u>	<u>Fan RPM</u>	<u>Sones</u>	<u>Volt/PH/Hz</u>	<u>Base</u>
LCVCRD-120V17DEC-SW	1373	0.25	1/2	1478	13.6	230/1/60	20
LCVCRD-135V17DEC-SW	1923	0.25	3/4	1394	16.1	230/1/60	20
LCVCRD-150V16DEC-SW	2671	0.25	1	1392	19.9	230/1/60	24



<u>ITEM</u>	<u>A</u>	<u>B</u>	<u>C</u>	<u>G</u>	<u>T Sq.</u>	<u>Roof Opening Sq.</u>
LVCRD-120V17DEC-SW	19-1/16	30-3/16	28-1/4	2	20	15-1/2
LVCRD-135V17DEC-SW	19-1/16	30-3/16	28-5/8	2	20	15-1/2
LVCRD-150V16DEC-SW	20-15/16	34-11/16	30-1/4	2	24	19-1/2

Curbs on Pg. 49

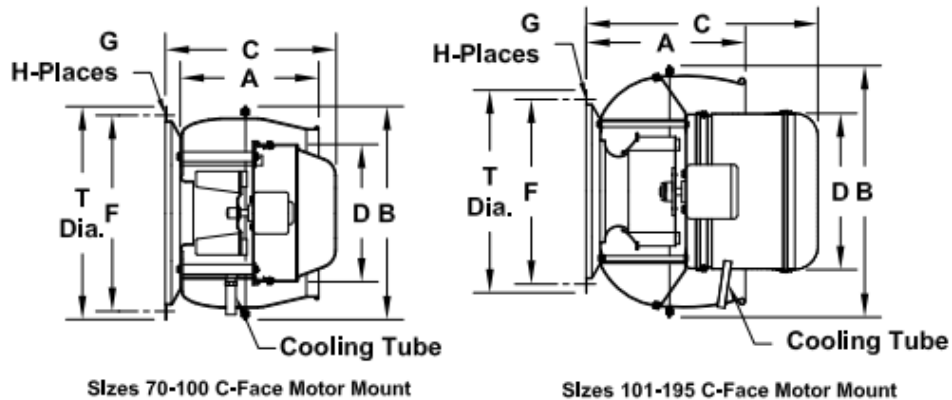
WALL MOUNTED EXHAUST FAN



MODEL ACWD - WALL MOUNT - DIRECT DRIVE

- Wall mount centrifugal design with aluminum base
- Includes NEMA 1 disconnect
- Mounting flange with keyslots and latches
- AMCA certified and UL 705 listed

ITEM	Model	CFM	SP	HP	Fan RPM	Sones	Volt/PH/Hz	E*
LCACWD-70W15DH	ACWD	209	0.125	1/20	1550	6.4	115/1/60	8
LCACWD-90W10DH	ACWD	348	0.125	1/25	1050	4.3	115/1/60	10
LCACWD-90W15DM	ACWD	525	0.125	1/8	1550	9.8	115/1/60	10
LCACWD-100W15DH	ACWD	724	0.125	1/8	1550	9.6	115/1/60	10
LCACWD-120W17DEC	ACWD-EC	1005	0.25	1/2	1162	8.7	115/1/60	12



ITEM	A	B	C	D	Wall Opening	F	G	H	J	T Dia.
LCACWD-70W15DH	12-1/8	17-1/8	13	16-3/4	8	14-1/4	3/8	4	9-1/4	15-1/2
LCACWD-90W10DH	14-7/8	21-1/8	16	16-3/4	10	19-3/4	3/8	4	12-3/8	21-1/4
LCACWD-90W15DM	14-7/8	21-1/8	16	16-3/4	10	19-3/4	3/8	4	12-3/8	21-1/4
LCACWD-100W15DH	18-7/16	30-3/16	28-1/4	20-3/8	12	23-1/2	3/8	4	16	25

ROOF MOUNTED GRAVITY VENTILATORS

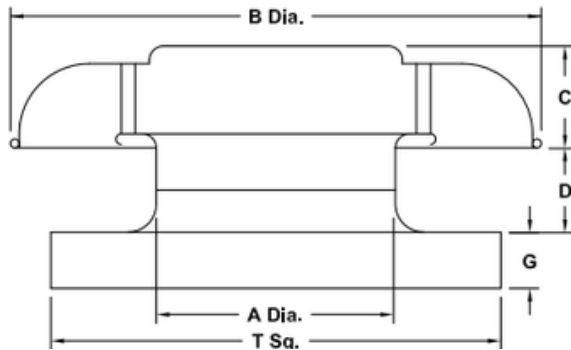
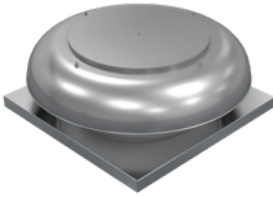


MODEL PR ROOF MOUNTED GRAVITY VENTILATION

ITEM	Model	CFM	SP	Base
LCPR8	PR	247	0.05	18
LCPR12	PR	519	0.05	20
LCPR16	PR	917	0.05	28
LCPR20	PR	1423	0.05	32
LCPR24	PR	2049	0.05	36

MODEL PRF FLAT BASE GRAVITY VENTILATION

ITEM	Model	CFM	SP
LCPRF8	PRF	247	0.05
LCPRF12	PRF	519	0.05
LCPRF16	PRF	917	0.05
LCPRF20	PRF	1423	0.05



ITEM	A dia.	B dia.	C	D	G	T sq.	Roof Opening
LCPR8	8-5/8	18-3/4	4-5/8	3-1/2	2	18	13-1/2
LCPR12	12-1/2	27-3/4	5-1/16	3-1/2	2	20	15-1/2
LCPR16	16-1/2	27-3/4	5-1/16	5-1/2	2	28	23-1/2
LCPR20	20-1/2	36-5/8	6-3/4	4-7/8	2	32	27-1/2
LCPR24	24-3/4	42-3/4	8	6-1/4	3	36	31-1/2

Curbs on Pg. 49

BACKDRAFT DAMPERS

ITEM	SIZE	DESCRIPTION
LCBDI-12	12x12	Intake Only BackDraft Damper for Use with LCPR8 Model
LCBDI-14	14x14	Intake Only BackDraft Damper for Use with LCPR12 Model
LCBDI-22	22x22	Intake Only BackDraft Damper for Use with LCPR16 Model
LCBDI-26	26x26	Intake Only BackDraft Damper for Use with LCPR20 Model
LCBDI-30	30x30	Intake Only BackDraft Damper for Use with LCPR24 Model

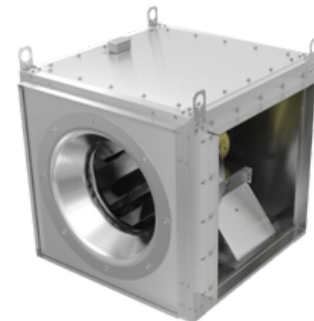
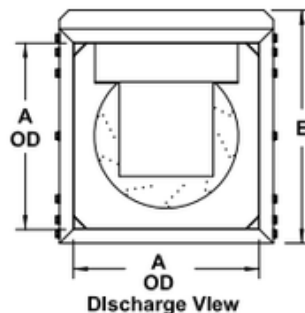
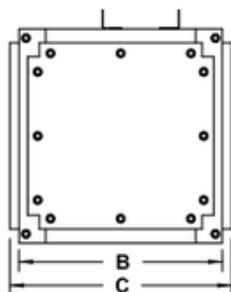
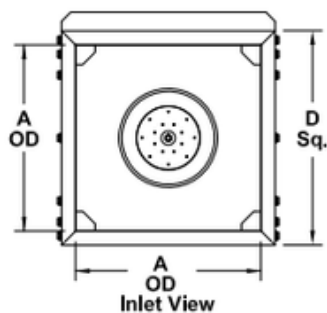
CENTRIFUGAL FANS



MODEL SQND DIRECT DRIVE SQUARE CENTRIFUGAL

- Includes NEMA 1 disconnect
- BackDraft dampers unavailable for SQN Model fans

ITEM	Model	CFM	SP	HP	Fan RPM	Sones Inlet	Volt/PH /Hz	Sones Outlet	Fan Weight (lbs)	Damper
LC90SQN17DEC	SQND-EC	405	0.25	1/6	1449	6.8	115/1/60	8.2	45	LCBD-12
LC90SQN12D	SQN-D	479	0.25	1/6	1600	7.1	115/1/60	8.7	45	LCBD-12
LCSQN90-15D	SQN-D	624	0.125	1/6	1550	8.2	115/1/60	10.1	45	LCBD-12
LCSQN100-15D	SQN-D	830	0.25	1/6	1550	7.6	115/1/60	8.7	49	LCBD-12
LC120SQN17DEC	SQND-EC	850	0.25	1/2	1058	5.5	115/1/60	6.3	59	LCBD-14
LC120SQN17D	SQN-D	1646	0.25	1/2	1725	14.1	115/1/60	15.3	59	LCBD-14
LC135SQN17DEC	SQND-EC	1818	0.25	3/4	1378	11.8	115/1/60	11.6	78	LCBD-14



ITEM	A	B	C	D Sq.	E	Housing Gauge
LC90SQN17DEC, LC90SQN12D, LCSQN90-15D	12	15	17	14	15-9/16	18
LCSQN100-15D	12	20	22	14	15-9/16	18
LC120SQN17DEC, LC120SQN17D	16	16	22	18-7/16	20	18
LC135SQN17DEC	18	18	22-1/4	20-3/4	22-5/16	18

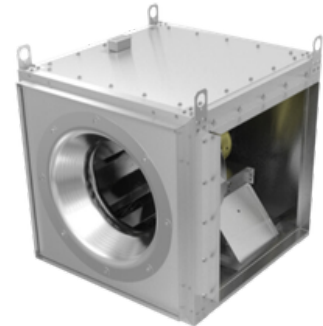
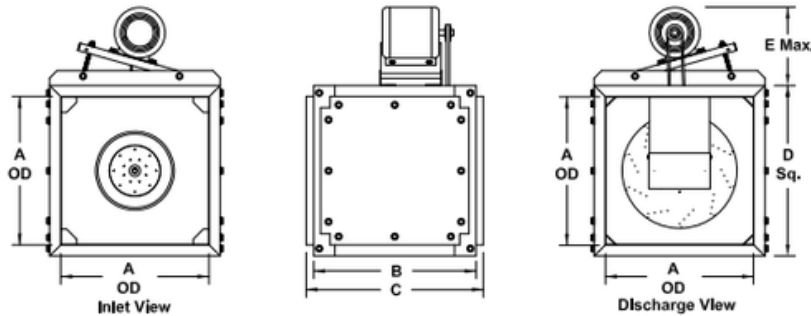
CENTRIFUGAL FANS



MODEL SQNB BELT DRIVE SQUARE CENTRIFUGAL

- Includes NEMA 1 disconnect
- BackDraft dampers unavailable for SQN Model fans

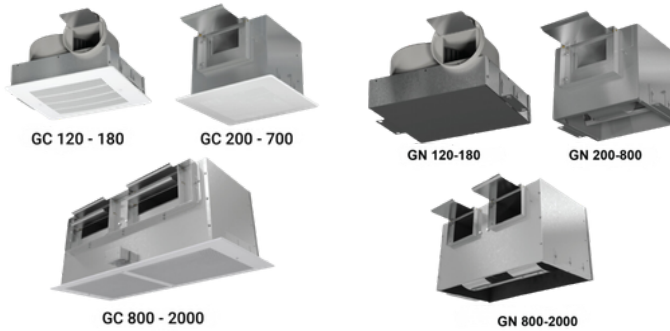
ITEM	Model	CFM	SP	HP	Fan RPM	Sones Inlet	Volt/PH/Hz	Sones Outlet	Fan Weight (lbs)	Damper
LC70SQN-B	SQN-B	300	0.125	1/6	1651	8.5	115/1/60	12.8	80	LCBD-12
LC80SQN-B	SQN-B	650	0.25	1/6	1717	8.3	115/1/60	11.0	80	LCBD-12
LC100SQN-B	SQN-B	850	0.25	1/4	1746	8.3	115/1/60	10.3	80	LCBD-12
LC120SQN-B	SQN-B	1300	0.25	1/4	1453	9.5	230/1/60	10.9	100	LCBD-14
LC180SQN-B	SQN-B	4600	0.25	1.5	1286	19.3	230/3/60	19.6	200	LCBD-24
LC195SQN-B	SQN-B	5900	0.25	2.0	1286	23.0	230/3/60	23.0	225	LCBD-24



ITEM	A	B	C	D Sq.	E	Housing Gauge	Max Mtr Frame
LC70SQN-B	12	20	22	14	12-1/2	18	143T
LC80SQN-B	12	20	22	14	12-1/2	18	143T
LC100SQN-B	12	20	22	14	12-1/2	18	143T
LC120SQN-B	16	20	22	18-7/16	12-1/2	18	145T
LC180SQN-B	24	28	30	27-5/8	14-3/4	16	182T
LC195SQN-B	26	30-1/4	32-1/4	29-15/16	15	16	182T

****For VMC Vibration Isolator information, refer to pages 112-113*
Refer to Universal Spring Charts on pg. 112 for Max Spring Load per Isolator**

CEILING AND INLINE EXHAUST FANS



GEMINI GC SERIES CEILING FANS

- Direct driven
- Centrifugal exhaust
- Galvanized stamped steel integral motor mount/inlet
- Aluminum backdraft damper

ITEM	Series	CFM .125"	Speed Controller	Discharge Type	Input Watts	Dimensions L x W x H	Voltage
LCGC-128	GC-120	79	LCSC-5	6"	28	15-1/2x12x8-3/8	115V
LCGC-148	GC-140	142	LCSC-5	6"	48	15-1/2x12x8-3/8	115V
LCGC-166	GC-160	155	LCSC-5	6"	51	15-1/2x12x8-3/8	115V
LCGC-186	GC-180	225	LCSC-5	6"	94	15-1/2x12x8-3/8	115V
LCGC-222	GC-200	111	LCSC-5	6" x 4.5"	25	12-3/8x9-3/4x9-3/4	115V
LCGC-342	GC-300	249	LCSC-5	8" x 6"	85	12-3/8x10-3/4x10-3/4	115V
LCGC-422	GC-422	295	LCSC-5	8" x 6"	115	17x11-7/8x11-7/8	115V
LCGC-542	GC-500	376	LCSC-5	8" x 6"	141	17x11-7/8x11-7/8	115V
LCGC-642	GC-600	576	LCSC-5	10.5" x 4.75"	206	17x11-7/8x11-7/8	115V
LCGC-740	GC-700	814	LCSC-5	10.5" x 4.75"	374	17x11-7/8x11-7/8	115V
LCGC-862	GC-800	1353	LCSC-5	20" x 6"	450	27x14-11/16x14-11/16	115V
LCGC-960	GC-900	1691	LCSC-10	20" x 6"	1	31x14-11/16x14-11/16	115V
LCGCVF-300	GCVF-300	150	EC	8" x 6"	2	12-3/8x10-3/4x10-3/4	115V

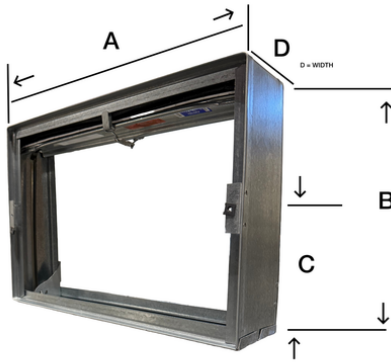
GEMINI GN SERIES INLINE FANS

ITEM	Series	CFM .125"	Speed Controller	Discharge Type	Input Watts	Dimensions L x W x H	Voltage
LCGN-126	GN-120	48	LCSC-5	5-15/16	29	14x12x8-3/8	115V
LCGN-148	GN-140	142	LCSC-5	5-15/16	48	14x12x8-3/8	115V
LCGN-166	GN-160	155	LCSC-5	5-15/16	51	14x12x8-3/8	115V
LCGN-186	GN-180	225	LCSC-5	5-15/16	94	14x12x8-3/8	115V
LCGN-222	GN-200	111	LCSC-5	4-1/2	25	12-3/8x9-3/4x9-11/16	115V
LCGN-322	GN-300	217	LCSC-5	6	85	12-3/8x10-7/8x10-11/16	115V
LCGN-422	GN-422	295	LCSC-5	6	115	17x12x11-15/16	115V
LCGN-542	GN-500	376	LCSC-5	6	141	17x12x11-15/16	115V
LCGN-642	GN-600	576	LCSC-5	4-3/4	206	17x12x11-15/16	115V
LCGN-740	GN-700	814	LCSC-5	4-3/4	374	17x12x11-15/16	115V
LCGN-822	GN-800	924	LCSC-5	6	450	27x14-11/16x14-11/16	115V
LCGN-940	GN-900	1564	LCSC-10	6	442	31x14-11/16x14-11/16	115V

LOREN COOK ACCESSORIES

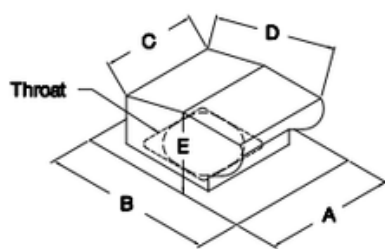
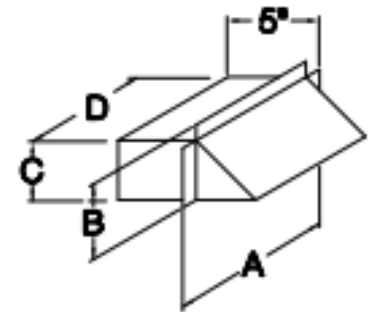


ITEM	DESCRIPTION
LC615144	Optional Steel Grille for Gemini 200 & 300 Series Fans
LC615146	Standard Steel Grille for Gemini 400,500,600 & 700 Series Fans
LC615192	Optional Steel Grille for Gemini 100 Series Fans
LC615196	Standard Poly Grille for Gemini 100, 200 & 300 Series Fans
LC719296	Standard Steel Grille for Gemini 800 Series Fans
LC719297	Standard Steel Grille for Gemini 900 Series
LCRDA-8	8" Round Duct Adapter Gemini Series 200-500 Series
LCHV-KIT	GIK Gemini Isolator Kit for Gemini 100-700 Series Fans
LCTimeDelaySW	Time Delay Switch for Gemini 100 through 900 Series Fans



ITEM	DESCRIPTION	SERIES	A	B	C	D
LCCRD-1	CRD-1 Ceiling Radiation Damper for Gemini 100 Series Fans	120-180	14-1/4	12-1/4	6-3/16	4-3/16
LCCRD-2	CRD-2 Ceiling Radiation Damper for Gemini 200 Series Fans	220-240	12-3/4	10	5-1/16	4-3/16
LCCRD-3	CRD-3 Ceiling Radiation Damper for Gemini 300 Series Fans	320-340	12-3/4	11	5-9/16	4-3/16
LCCRD-4	CRD-4 Ceiling Radiation Damper for Gemini 400-700 Series Fans	420-740	17-1/2	12-1/4	6-1/8	4-3/16

ITEM	DESCRIPTION	SERIES	A	B	C	D
LCWCG-2	Wall CAP for Gemini 200-500 Series	220-520	10-5/16	7-3/16	6-3/16	8-5/16
LCWCG-6	Wall Cap Galvanized SQ Neck for Gemini 600-700 Series	620-740	12-13/16	6	5	10-13/16
LCWCG-8	Wall Cap Galvanized SQ Neck for Gemini 800 Series	820-860	22-5/16	7-3/16	6-3/16	20-5/16



ITEM	DESCRIPTION	SERIES	A	B	C	D	E	Throat Size
LCRJ100	Roof Jack for Gemini 100 Series Fans	120-180	14-1/4	18-3/4	10-3/8	14-1/2	6-1/2	6" dia.
LCRJ200	Roof Jack for Gemini 200-500 Series Fans	220-520	14-1/4	18-3/4	10-3/8	14-1/2	6-1/2	10-1/4 x 10-3/4

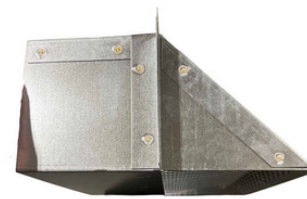
LOREN COOK ACCESSORIES



LCBD



LCVFRSC

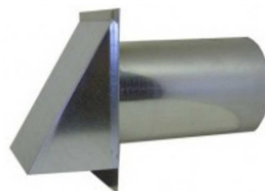


LCWC

ITEM	DESCRIPTION
LCSC-8	8" Square Grille ACWD-70
LCWC-4	Cook WCR-4 Round Wall Cap
LCWC-6	Cook WCR-6 Round Wall Cap
LCWC-8	Cook WCR-8 Round Wall Cap
LC125716	Control Harness Required with EC Motors to Accept 0-10C DC Signal
LC715473	Motorpack to Convert Backdraft Damper into Motorized Damper
LCRC-75	Hanger/Ceiling Mount Set Of 4
LCSC-5	FSC 5 AMP 120 Volt Speed Controller
LCSC-10	FSC 10 AMP 120 Volt Speed Controller
LCVFRSC	Remote Speed Controller 785249/132006
LCGREASE	Grease Terminator Canister for VCR Models
AMDWVA-4	Artis Metal 4" Wall Cap
AMSDWVA-6	Artis Metal 6" Wall Cap
AMSDWVA-8	Artis Metal 8" Wall Cap
LCBD-8	8x8 Backdraft Damper for ACED, ACEB, ACRUD & VCR Models
LCBD-10	10x10 Backdraft Damper for ACED, ACEB, ACRUD & VCR Models
LCBD-12	12x12 Backdraft Damper for ACED, ACEB, ACRUD & VCR Models
LCBD-14	14x14 Backdraft Damper for ACED, ACEB, ACRUD & VCR Models
LCBD-16	16x16 Backdraft Damper for ACED, ACEB, ACRUD & VCR Models
LCBD-18	18x18 Backdraft Damper for ACED, ACEB, ACRUD & VCR Models
LCBD-22	22x22 Backdraft Damper for ACED, ACEB, ACRUD & VCR Models
LCBD-24	24x24 Backdraft Damper for ACED, ACEB, ACRUD & VCR Models
LCBD-26	26x26 Backdraft Damper for ACED, ACEB, ACRUD & VCR Models
LCBD-30	30x30 Backdraft Damper ofr ACED, ACEB, ACRUD & VCR Models



LCSC-10



AMDWVA & AMSDWVA



LC715473

HVAC EQUIPMENT & ACCESSORIES

PTACS / DEHUMIDIFIERS / DRIVES / STARTERS

PARTS

FANS & ACCESSORIES

ROOF CURBS / RAILS / PIPE PORTALS

COMMERCIAL AIR DISTRIBUTION

RESIDENTIAL AIR DISTRIBUTION

LOUVERS / BRICK VENTS

HEATERS / IAQ & FILTRATION

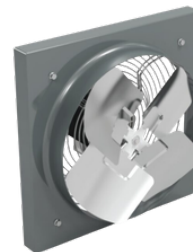
DUCTWORK

SUPPLIES / TOOLS

SIDEWALL FANS

MODEL XWD SIDEWALL PROPELLER WALL FAN

ITEM	Model	CFM	SP	HP	Fan RPM	Sones	Volt/PH/Hz	BHP
LC8XW28D15	8XWD	173	0.125	0.013	1550	8.9	115/1/60	39.4W
LC10XW40D15	10XWD	752	0.125	1/8	1550	7.6	115/1/60	72W
LC12XW40D15	12XWD	1347	0.125	1/8	1550	9.7	115/1/60	167W
LC14XW32D152	14XWD	1921	0.125	1/4	1550	11.5	115/1/60	240W
LC16XW28D152	16XWD	2594	0.125	1/2	1550	16.6	115/1/60	409W
LC18XW34D152	18XWD	4107	0.125	3/4	1550	18.1	115/1/60	683W
LC20XW28D152	20XWD	4173	0.125	3/4	1550	20	115/1/60	674W

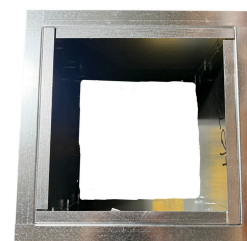


SIDEWALL PROPELLER XWD WALL FAN ACCESSORIES

ITEM	Accessory	Compatible With
LCGSS-10	Wall Damper	LC8XW28D15
LCGSS-14	Wall Damper	LC10XW40D15
LCGSS-14	Wall Damper	LC12XW40D15
LCGSS-18	Wall Damper	LC14XW32D152
LCGSS-18	Wall Damper	LC16XW28D152
LCGSS-22	Wall Damper	LC18XW34D152
LCGSS-22	Wall Damper	LC20XW28D152
LCWC-8XWD	Wall Collar	LC8XW28D15
LCWC-10XWD	Wall Collar	LC10XW40D15
LCWC-12XWD	Wall Collar	LC12XW40D15
LCWC-14XWD	Wall Collar	LC14XW32D152
LCWC-16XWD	Wall Collar	LC16XW28D152
LCWC-18XWD	Wall Collar	LC18XW34D152
LCWC-20XWD	Wall Collar	LC20XW28D152
LCWG-8XWD	Wireguard-Motor Side	LC8XW28D15
LCWG-10/12XWD	Wireguard-Motor Side	LC10XW40D15
LCWG-10/12XWD	Wireguard-Motor Side	LC12XW40D15
LCWG-14/16XWD	Wireguard-Motor Side	LC14XW32D152
LCWG-14/16XWD	Wireguard-Motor Side	LC16XW28D152
LCWG-18XWD	Wireguard-Motor Side	LC18XW34D152
LCWG-20XWD	Wireguard-Motor Side	LC20XW28D152
LCWH-8XWD	Weather Hood 45 Degree	LC8XW28D15
LCWH-10XWD	Weather Hood 45 Degree	LC10XW40D15
LCWH-12XWD	Weather Hood 45 Degree	LC12XW40D15
LCWH-14XWD	Weather Hood 45 Degree	LC14XW32D152
LCWH-16XWD	Weather Hood 45 Degree	LC16XW28D152
LCWH-18XWD	Weather Hood 45 Degree	LC18XW34D152
LCWH-20XWD	Weather Hood 45 Degree	LC20XW28D152
LC120vMOTORPACK	Universal Motor Pack	Convert Gravity to Motorized Shutters



LCGSS



LCWC

BATHROOM FANS

PANASONIC BATH FANS

ITEM	DESCRIPTION
PS-0510CP	Panasonic Contractor PK Housing Only
PS-0510LF	Panasonic Light Bath Fan
PS-0510MP	Panasonic Contractor Pk Motor/Grille Assembly



PS-0510LF



PS-0510MP



PS-0510CP

HVAC EQUIPMENT & ACCESSORIES

PTAC'S / DEHUMIDIFIERS / DRIVES / STARTERS

PARTS

FANS & ACCESSORIES

ROOF CURBS / RAILS / PIPE PORTALS

COMMERCIAL AIR DISTRIBUTION

RESIDENTIAL AIR DISTRIBUTION

LOUVERS / BRICK VENTS

HEATERS / IAQ & FILTRATION

DUCTWORK

SUPPLIES / TOOLS

BIG ASS FANS**INDUSTRIAL OVERHEAD - BASIC 6 MODEL**

<u>ITEM</u>	<u>MODEL</u>	<u>DESCRIPTION</u>
<u>BASIC 6 MODELS:</u>		
BAB6x16-460-3	Basic 6 Industrial Fan 16'	400-480v/3PH, 2.0 HP, >725W
BAB6x24-208-3	Basic 6 Industrial Fan 24'	200-250v/3PH, 2.0 HP, >725W, AFRS
<u>BASIC 6 MOUNTING ACCESSORIES:</u>		
BAM-PF2-0102	Basic 6 Standard Mount Kit	Beam Mount, 2' Extension Tube
<u>BASIC 6 CONTROLLER:</u>		
BAFCONMFKIT	BAFCON RTC & Multi-Fan Kit Compatible with Basic 6 and AirEye	For Industrial Fans, Up to 24 Units
BAC-WSC-00-01	Wired Standard Controller	Standard 1 to 1 fan controller

ESSENCE MODEL

<u>ITEM</u>	<u>DESCRIPTION</u>
BAFB-ES2-120102L21	Essence 12' Black/Silver Universal Mount

**DIRECTIONAL FAN - AIREYE**

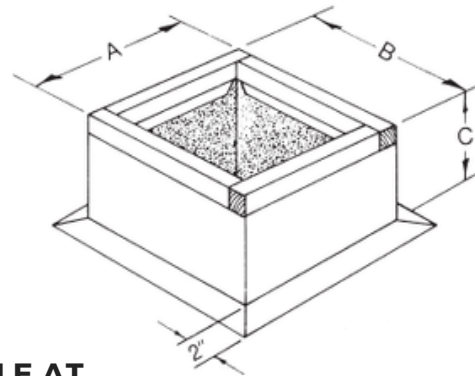
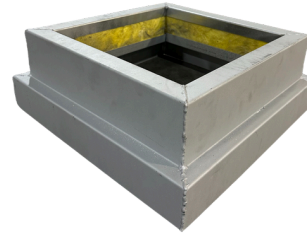
<u>ITEM</u>	<u>MODEL</u>	<u>DESCRIPTION</u>
BAF-AE1-2401	AirEye Fan Kit 24" Guards, Yellow Blades	120v/1 PH, 1/3 HP, >200W
BAF-AE1-30	AirEye Fan Kit 30" Black Guards, Yellow Blades	120v/1 PH, 1/3 HP, >200W
<u>AIREYE ACCESSORIES</u>		
BA007265-074	AirEye Wall Mount Kit	
BA9182	AirEye C-Channel & I-Beam Mount Kit	
BA7269	AirEye 3 FT Drop Cord Control Ext	

CURBS AND EQUIPMENT RAILS



FAN CURB ADAPTORS

ITEM	Height	Base to Base
CPT-1-17	8"	17" to 18"
CPT-1-19	8"	19" to 20"
CPT-1-22	8"	22" to 20"



MODEL ER ROOF CURBS - 12" TALL AVAILABLE AT GREENSBORO, ROANOKE & COLUMBIA BRANCH

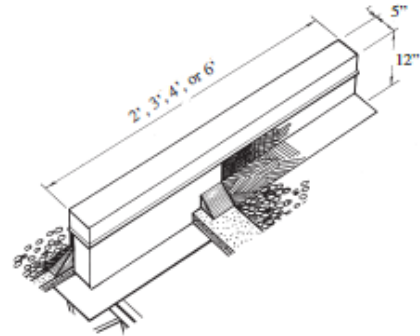
ITEM	A	B	C	Base	For Models
RC12	12	12	12	12	Portals Model CC
RC15	13.5	13.5	12	15	GH Model RCC-7
RC17	15.5	15.5	12	17	TCF VC 077/083/098/112/120-95/120-99, BCRD 070 GH G 060/070/080/090/095, CUE 070
RC18	16.5	16.5	12	18	LC ACEB 70/80/90/100, PR8, ACRUB 100, ACRUD 70/90/100/101, ACED 70/90/100/101,
RC19	17.5	17.5	12	19	GH G 099/103/123/133, GB 071/081/101/121/131, CUBE 101/121, CUE 080/090/095/101/121, GRS8,10
RC20	18.5	18.5	12	20	LC ACEB 120/135, PR12, ACRUB 120/135, ACRUD120/135, ACED 120/135 - TCF DCRD 120, BCRD 100/120
RC22	20.5	20.5	12	22	GH G 143, GB 141/161, CUBE 141/161, CUE 141, GRS12,15
RC24	22.5	22.5	12	24	LC ACEB 150/165, ACRUB 150, ACED 150, ACRUD 150, ACED 150/165 - TCF DCRD 130/140, BCRD 140, VCUB 122/140, GRV 120/160
RC26	24.5	24.5	12	26	GH GRS16
RC28	26.5	26.5	12	28	LC PR 16
RC30	28.5	28.5	12	30	LC ACEB 180/245 - TCF BCRD 180/210 - GH GB 180/200, CUBE 180/200 - GH GRS18, 20
RC32	30.5	30.5	12	32	LC PR20
RC34	32.5	32.5	12	34	TCF BCRD 240 - GH GB 240, CUBE 240 - GH GRS 24
RC36	34.5	34.5	12	36	LC PR24, ACRUB 270/300
RC40	38.5	38.5	12	40	TCF BCRD 300 - GH GB 300, CUBE 300
RC46	44.5	44.5	12	46	TCF BCRD 360

CURBS AND EQUIPMENT RAILS

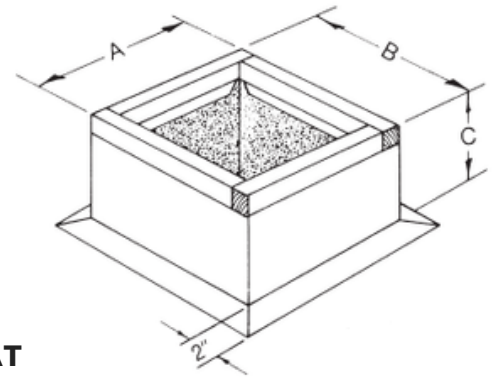


MODEL CPES-3 AND ER EQUIPMENT RAILS

ITEM	Length	Height	Branch
CPES-3-2	2'	18"	CLT, GSO, ROA, & RIC
CPES-3-3	3'	18"	CLT, GSO, ROA, & RIC
CPES-3-4	4'	18"	CLT, GSO, ROA, & RIC
CPES-3-6	6'	18"	CLT, GSO, ROA, & RIC
ER-2	2'	12"	CLT, GSO, ROA, & COL
ER-3	3'	12"	GSO, ROA, & COL
ER-4	4'	12"	GSO, ROA, & COL
ER-6	6'	12"	GSO, ROA, & COL



Inventory transfers between warehouse locations may be required and could affect delivery timelines



MODEL CPC-3 ROOF CURBS - 18" TALL AVAILABLE AT CHARLOTTE/ROANOKE/RALEIGH/GREENSBORO

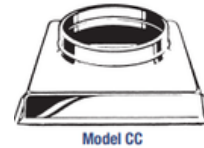
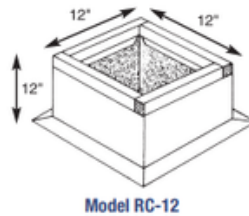
ITEM	A	B	C	Base	For Models
CPC-3-12	12	12	18	12	Portals Model CC
CPC-3-15	13.5	13.5	18	15	GH Model RCC-7
CPC-3-16.5	15	15	18	16.5	TCF Model GRV 90
CPC-3-17	15.5	15.5	18	17	TCF VC 077/083/098/112/120-95/120-99, BCRD 070 GH G 060/070/080/090/095, CUE 070
CPC-3-18	16.5	16.5	18	18	LC ACEB 70/80/90/100, PR8, ACRUB 100, ACRUD 70/90/100/101, ACED 70/90/100/101,
CPC-3-19	17.5	17.5	18	19	GH G 099/103/123/133, GB 071/081/101/121/131, CUBE 101/121, CUE 080/090/095/101/121, GRS8,10
CPC-3-20	18.5	18.5	18	20	LC ACEB 120/135, PR12, ACRUB 120/135, ACRUD120/135, ACED 120/135 - TCF DCRD 120, BCRD 100/120
CPC-3-22	20.5	20.5	18	22	GH G 143, GB 141/161, CUBE 141/161, CUE 141, GRS12,15
CPC-3-24	22.5	22.5	18	24	LC ACEB 150/165, ACRUB 150, ACED 150, ACRUD 150, ACED 150/165 - TCF DCRD 130/140, BCRD 140, VCUB 122/140, GRV 120/160
CPC-3-26	24.5	24.5	18	26	GH GRS16
CPC-3-28	26.5	26.5	18	28	LC PR 16
CPC-3-30	28.5	28.5	18	30	LC ACEB 180/245 - TCF BCRD 180/210 - GH GB 180/200, CUBE 180/200 - GH GRS18, 20
CPC-3-32	30.5	30.5	18	32	LC PR20
CPC-3-34	32.5	32.5	18	34	TCF BCRD 240 - GH GB 240, CUBE 240 - GH GRS 24
CPC-3-36	34.5	34.5	18	36	LC PR24, ACRUB 270/300
CPC-3-40	38.5	38.5	18	40	TCF BCRD 300 - GH GB 300, CUBE 300
CPC-3-46	44.5	44.5	18	46	TCF BCRD 360

PIPE PORTALS

PIPE FLASHING SYSTEM

This system is designed to allow both vertical and horizontal pipe movement, yet provides a maintenance free permanent installation which accommodates pipe sizes of 3/8" to 6". The system is offered in three parts: roof curb, curb cover, and rubber cap (1-pipe or 4-pipe). The curb cover is molded from ABS plastic with a laminated acrylic coating, which gives high resistance to both ozone and ultraviolet exposure. The caps are compression molded of EPDM rubber with conical shaped steps on the nipple for a taut weatherproof seal around the pipe. Caps include stainless steel clamps for added pipe seal protection.

MODEL
RC12 Curb
Curb Cover
CP-3-12



MODEL	Accommodates Pipe Sizes
PPC-126 (1 Pipe)	Single pipe 2" thru 6"
PPC-212 (4 Pipe)	Two pipes 3/8" thru 1" ; Two pipes 1" thru 2"
PPC-481 (4 Pipe)	Four pipes 3/8" thru 1"



C-126
1 - 2" TO 6" PIPE



C-481
4 - .375" TO 1"
PIPES

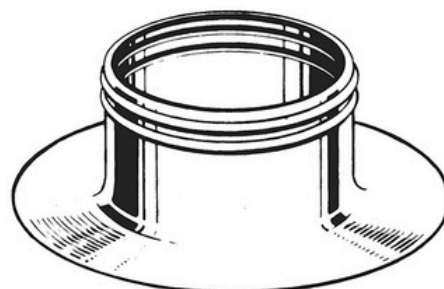


C-212
2 - .375" TO 1" PIPES
2 - 1" TO 2" PIPES

SELF-FLASHING SYSTEM

Alumi-Flash for hot applied roof systems. In some installations, the Alumi-Flash may be used in lieu of a curb. The 8" diameter top accepts any of the rubber caps. Construction is spun aluminum.

MODEL
PPALUMI-FLASH



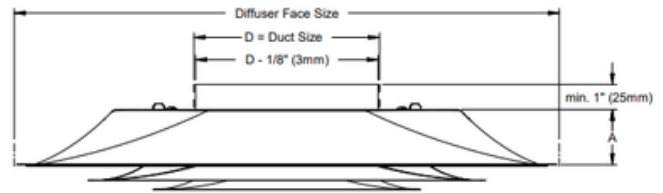
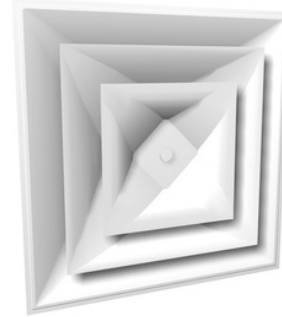
CEILING DIFFUSERS



MODEL SCD

- Steel construction
- Lay-in flush mounting
- White (B12) powder coat finish

ITEM	Neck Size	Panel Size	Nominal CFM*
PISCD-TB-6	6	24x24	250
PISCD-TB-8	8	24x24	400
PISCD-TB-10	10	24x24	575
PISCD-TB-12	12	24x24	775
PISCD-TB-14	14	24x24	975
PISCD-6	6	12x12	235
PISCD-8	8	12x12	350



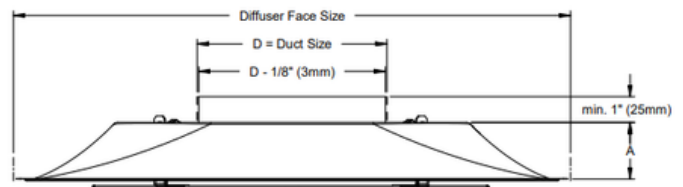
SCD CONVERSION KIT

PICONE	SCD CONVERSION KIT
--------	--------------------

MODEL SPD

- Steel construction
- Lay-in flush mounting
- White (B12) powder coat finish

ITEM	Neck Size	Panel Size	Nominal CFM*
PISPD-TB-6	6	24x24	250
PISPD-TB-8	8	24x24	375
PISPD-TB-10	10	24x24	545
PISPD-TB-12	12	24x24	725
PISPD-TB-14	14	24x24	950
PISPD-6	6	12x12	235
PISPD-8	8	12x12	350



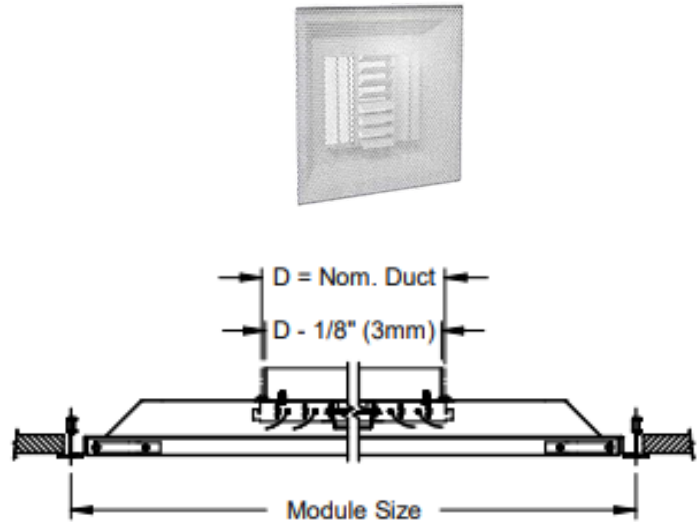
CEILING DIFFUSERS



MODEL PDC

- Perforated steel supply diffuser
- Lay-in flush mounting
- White (B12) powder coat finish

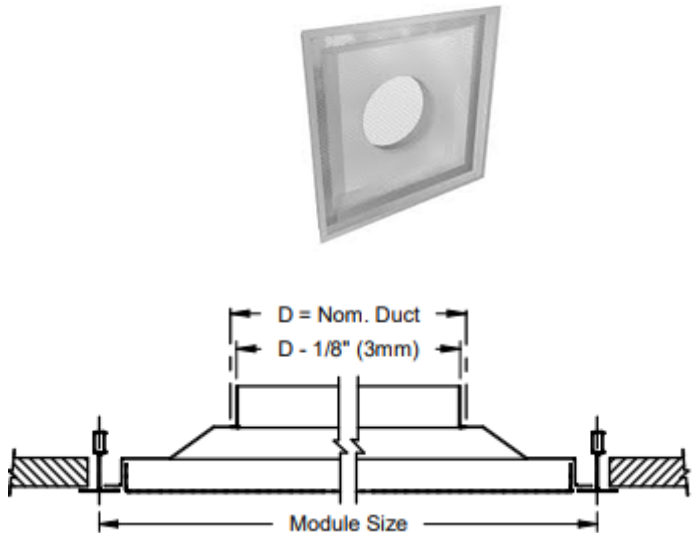
ITEM	Neck Size	Panel Size	Nominal CFM*
PIPDC-TB-6	6	24x24	160
PIPDC-TB-8	8	24x24	275
PIPDC-TB-10	10	24x24	390
PIPDC-TB-12	12	24x24	550
PIPDC-TB-14	14	24x24	675
PIPDC-TB-16	16	24x24	875



MODEL PDDR

- Perforated steel supply diffuser
- Lay-in flush mounting
- White (B12) powder coat finish

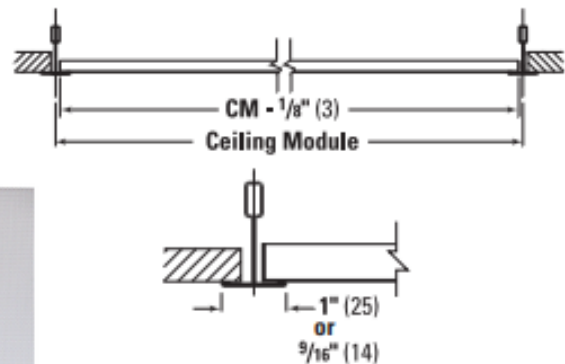
ITEM	Neck Size	Panel Size	Nominal CFM*
PIPDDR-TB-6	6	24x24	130
PIPDDR-TB-8	8	24x24	240
PIPDDR-TB-10	10	24x24	375
PIPDDR-TB-12	12	24x24	525
PIPDDR-TB-14	14	24x24	700
PIPDDR-TB-16	16	24x24	800



MODEL PFRF PERFORATED PANEL

- Matches PDC/PDDR Series diffusers
- Tee-bar lay-in
- Steel construction
- White (B12) powder coat finish
- Turned up edges, no frame

ITEM	Nominal CFM
PIPRF-TB-24X12	575
PIPRF-TB-24X24	2550



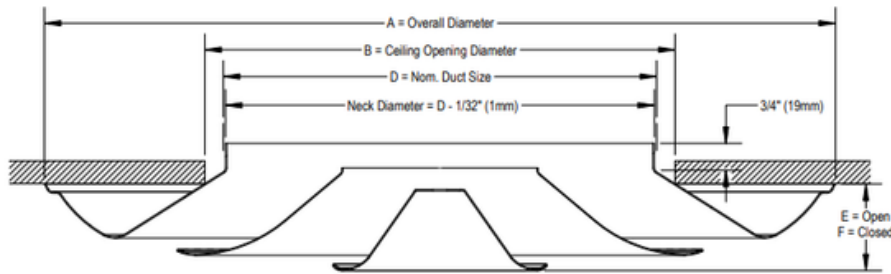
CEILING DIFFUSERS



MODEL RCDE

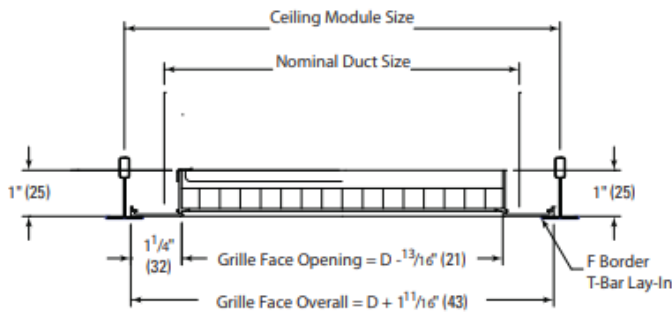
- Steel construction
- White (B12) powder coat finish
- Two position adjustment
- Easily adjustable without special tools

ITEM	Nominal CFM	A	B	D Neck Size	E	F
PIRCDE-6	200	11 1/8	6 1/2	6	1 3/4	1 1/8
PIRCDE-8	280	14 3/4	8 1/2	8	2 1/8	1 1/2
PIRCDE-10	490	18 1/4	10 1/2	10	2 7/8	2 1/8
PIRCDE-12	705	22	12 1/2	12	3 1/8	2 3/8



MODEL 80 CUBE CORE RETURN GRILLE

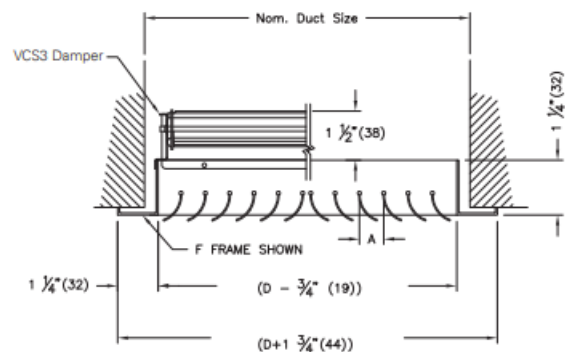
- Aluminum "egg crate" type 1/2" cube core for tee-bar-lay-in ceilings
- White (B12) powder coat finish



Neck Size	Panel Size	Nominal CFM*
PI80-TB-22X10	24x12	1500
PI80-TB-22X22	24x24	2700
PI80-TB-46X22	48x24	4000

MODEL SCVD SUPPLY REGISTERS

- Surface mount
- Four-way ceiling supply register
- All steel construction
- Curved blades and opposed blade damper
- White (B12) powder coat finish



Neck Size	Nominal CFM*
PISCVD-6X6	130
PISCVD-8X8	225
PISCVD-10X10	350
PISCVD-12X12	450

CEILING DIFFUSERS

PRICE

MODEL SPF

- Mounting frame
- Steel construction
- White (B12) powder coat finish



ITEM	SIZE
PISPF-12x12	12 X 12
PISPF-24x12	24 X 12
PISPF-24x24	24 X 24
PISPF-48x24	48 X 24

MODEL SMD

- Mounting frame
- Lay-in flush mount
- Steel construction
- White (B12) powder coat finish



ITEM	Neck Size	Panel Size	Nominal CFM*
PISMD-TB-6x6	6 X 6	24 X 24	200
PISMD-TB-9x9	9 X 9	24 X 24	400
PISMD-TB-12x12	12 X 12	24 X 24	600
PISMD-TB-15x15	15 X 15	24 X 24	900
PISMD-TB-18x18	18 X 18	24 X 24	1200

MODEL PDDR SQUARE NECK

- Perforated steel return diffuser
- Lay-in flush mounting
- White (B12) powder coat finish



ITEM	Neck Size	Panel Size	Nominal CFM*
PIPDDR-TB-22x22	22 X 22	24 X 24	2200
PIPDDR-10x10	10 X 10	12 X 12	425
PIPDDR-TB-22x10	22 X 10	24 X 12	917
PIPDDR-TB-46x22	46 X 22	48 X 24	4217

MODEL SMD SURFACE MOUNT

- Surface mount
- Steel construction white
- White (B12) powder coat finish



ITEM	Neck Size	WHSE	Nominal CFM*
PISMD-6x6	6 X 6	Greensboro	200
PISMD-9x9	9 X 9	Greensboro	400
PISMD-12x12	12 X 12	Greensboro	600
PISMD-15x15	15 X 15	Greensboro	900
PISMD-18x18	18 X 18	Greensboro	1200

*Nominal CFM based on sound level of appx. NC 30.

HVAC EQUIPMENT
& ACCESSORIES

FACTS /
DEHUMIDIFIERS /
DRIVES / STARTERS

PARTS

FANS &
ACCESSORIES

ROOF CURBS /
RAILS / PIPE
PORTALS

COMMERCIAL AIR
DISTRIBUTION

RESIDENTIAL AIR
DISTRIBUTION

LOUVERS /
BRICK VENTS

HEATERS / IAQ
& FILTRATION

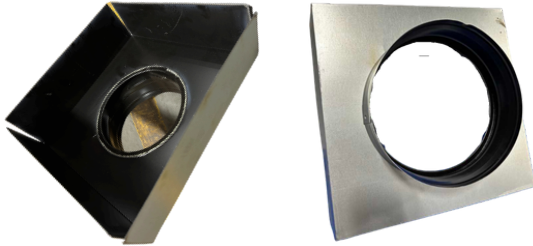
DUCTWORK

SUPPLIES /
TOOLS

AIR DISTRIBUTION ACCESSORIES

MODEL F3S0 SQUARE-TO-ROUND ADAPTERS

- Constructed of 26 ga. galvanized steel
- Open square corners



ITEM	Base	Inlet Dia.	ITEM	Base	Inlet Dia.
FMT6X6X6	6x6	5	FMT18X18X10	18x18	8
FMT6X6X6	6x6	6	FMT18X18X10	18x18	10
FMT8X8X6	8x8	6	FMT18X18X12	18x18	12
FMT8X8X7	8x8	7	FMT18X18X14	18x18	14
FMT8X8X8	8x8	8	FMT18X18X16	18x18	16
FMT9X9X6	9x9	6	FMT18X18X18	18x18	18
FMT9X9X7	9x9	7	FMT20X20XNO	20x20	NO
FMT9X9X8	9x9	8	FMT20X20X8	20x20	6
FMT9X9X9	9x9	9	FMT20X20X8	20x20	8
FMT10X10X6	10x10	6	FMT20X20X10	20x20	10
FMT10X10X8	10x10	8	FMT20X20X12	20x20	12
FMT10X10X9	10x10	9	FMT20X20X14	20x20	14
FMT10X10X10	10x10	10	FMT20X20X16	20x20	16
FMT12X12X6	12x12	6	FMT20X20X18	20x20	18
FMT12X12X8	12x12	8	FMT21X21XNO	21x21	NO
FMT12X12X10	12x12	10	FMT22X22XNO	22x22	NO
FMT12X12X12	12x12	12	FMT22X22X6	22x22	6
FMT14X14X14	14x14	14	FMT22X22X8	22x22	8
FMT15X15X10	15x15	10	FMT22X22X10	22x22	10
FMT15X15X12	15x15	12	FMT22X22X12	22x22	12
FMT15X15X14	15x15	14	FMT22X22X14	22x22	14
FMT16X16X14	16x16	14	FMT22X22X16	22x22	16
FMT18X18X6	18x18	6	FMT22X22X18	22x22	18

CONCENTRIC REDUCERS

- Galvanized steel construction
- Used to connect flexible duct to round neck diffusers



ITEM	SIZE
SW66NC8X7	8x7
SW66NC9X8	9x8
SW66NC7X6	7x6
SW66NC8X6	8x6
SW66NC6X5	6x5
SW66NC6X4	6x4
SW66NC5X4	5x4
SW66NC4X3	4x3
SW66NC14X12	14x12
SW66NC16X14	16x14
SW66NC12X8	12x8
SW66NC14X10	14x10
SW66NC10X9	10x9
SW66NC12X10	12x10
SW66NC10X6	10x6
SW66NC10X8	10x8

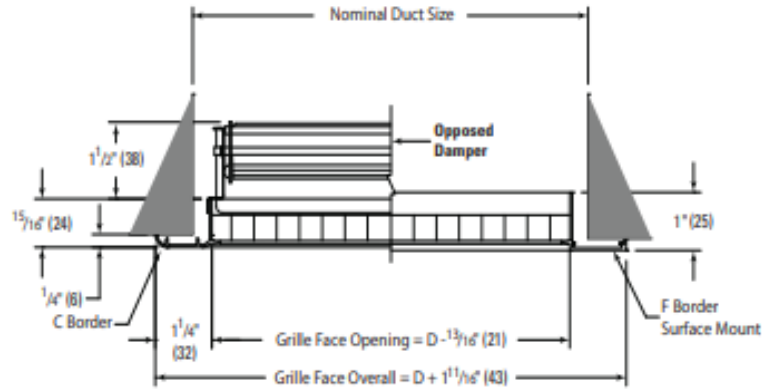
RETURN REGISTERS



MODEL 80D CUBE CORE REGISTER

- Aluminum "egg crate" Type 1/2" cube core for surface mounting
- Includes opposed blade damper
- White (B12) powder coat finish

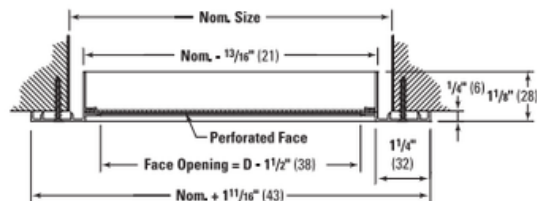
ITEM	Nominal CFM
PI80D-6X6	225
PI80D-8X8	400
PI80D-10X10	650
PI80D-12X12	900
PI80D-14X14	1150



MODEL 10A SURFACE MOUNT RETURN

- Aluminum core construction
- White (B12) powder coat finish
- Surface mounting

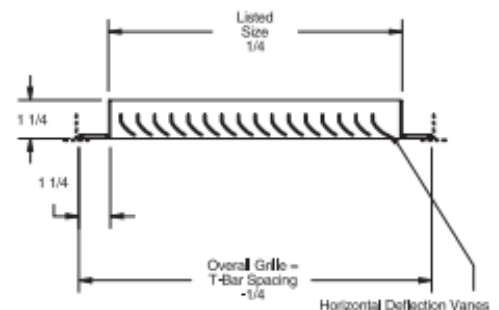
Neck Size	Face Size	Nominal CFM*
PI10A-6X6	7 11/16 X 7 11/16	185
PI10A-8X8	8 11/16 X 8 11/16	275
PI10A-10X10	11 11/16 X 11 11/16	425
PI10A-12X12	13 11/16 X 13 11/16	635
PI10A-14X14	15 11/16 X 15 11/16	830
PI10A-16X16	17 11/16 X 17 11/16	1125
PI10A-18X18	19 11/16 X 19 11/16	1450



MODEL 630-TB ALUMINUM RETURN MODEL 530-TB STEEL RETURN

- Tee-bar lay-in
- Available in steel or aluminum
- White (B12) powder coat finish
- Fixed 45-degree horizontal bar

Neck Size	Nominal CFM*	Panel Size
PI530-TB-22X10	800	24x12
PI530-TB-22X22	1600	24x24
PI530-TB-22X46	2750	24x48
PI630-TB-22X10	800	24x12
PI630-TB-22X22	1600	24x24
PI630-TB-22X46	2750	24x48



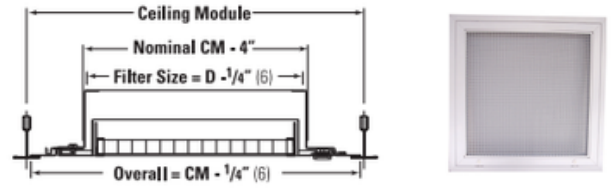
AIR DISTRIBUTION PRODUCTS

PRICE

MODEL 80FF CUBE CORE LAY-IN TEE-BAR

- Egg crate face with 1/2" cube core design
- 80% free area
- Aluminum grid
- White (B12) powder coat finish

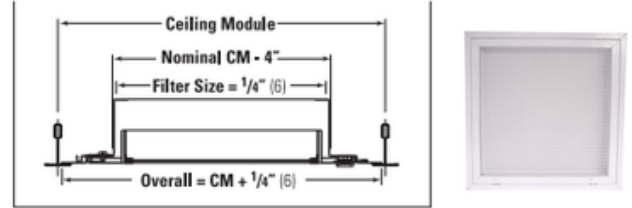
ITEM	Panel Size	Nominal CFM
PI80FF-TB-20X20	24 X 24	2400



MODEL 10FF PERFORATED FACE LAY-IN

- Perforated face for lay-in ceilings
- Steel construction White (B12) powder coat finish
- Hinged core and latches for easy cleaning

ITEM	Panel Size	Nominal CFM
PI10FF-TB-20X20	24 X 24	2000



MODEL 630FF SURFACE MOUNT

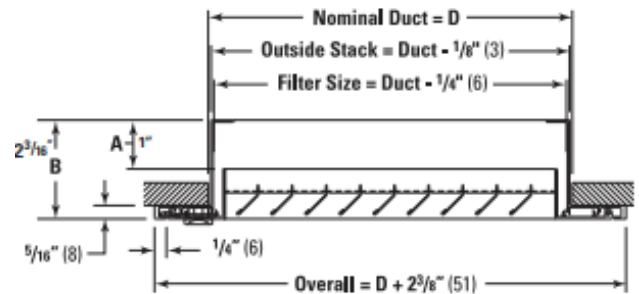
- Extruded aluminum frame
- White (B12) powder coat finish
- 45-Degree blades
- Hinged core and latches for easy cleaning

MODEL 630FF-TB LAY-IN

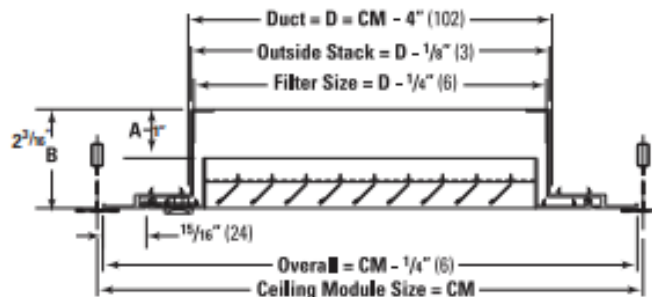
- Extruded aluminum frame
- White (B12) powder coat finish
- 45-Degree blades
- Hinged core and latches for easy cleaning
- Continuous frame without screw holes

ITEM	Neck Size	Nominal CFM*
PI630FF-12X12	12 3/8 x 12 3/8	575
PI630FF-20X20	20 3/8 x 20 3/8	1400
PI630FF-24X12	24 3/8 x 12 3/8	1000
PI630FF-24X24	24 3/8 x 24 3/8	1800
Item	Panel Size	Nominal CFM*
PI630FF-TB-20X20	24x24	1400
PI630FF-TB-20X44	24x48	3000

630FF



630FF-TB



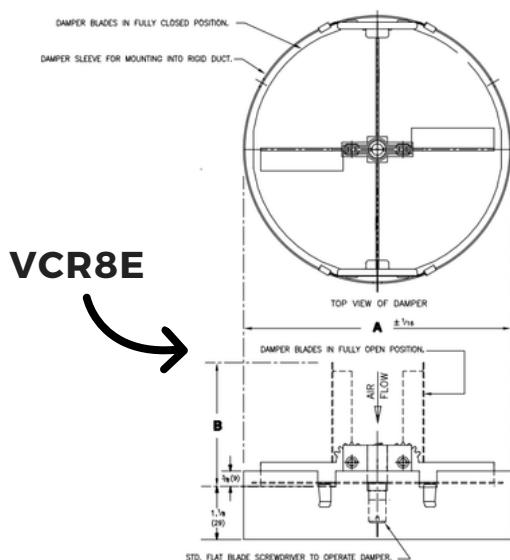
AIR DISTRIBUTION ACCESSORIES



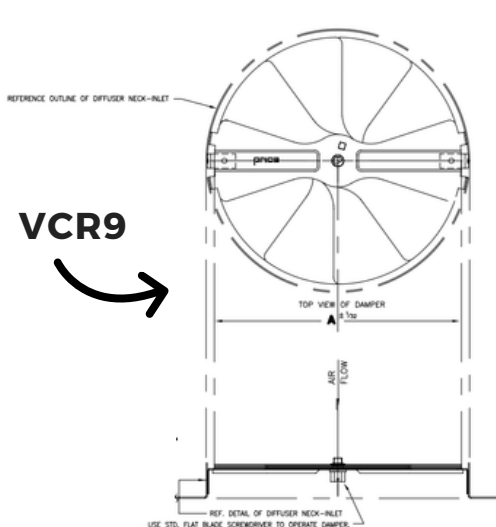
VOLUME CONTROL DAMPERS

- Model VCR8E butterfly style, steel construction
- Model VCR9 radial shutter style, steel construction, low profile for flex duct installations
- Sizes match Price diffusers

VCR8E	Neck Size	VCR9
PIVCR8E-6	6	PIVCR9-6
PIVCR8E-8	8	PIVCR9-8
PIVCR8E-10	10	PIVCR9-10
PIVCR8E-12	12	PIVCR9-12
PIVCR8E-14	14	PIVCR9-14



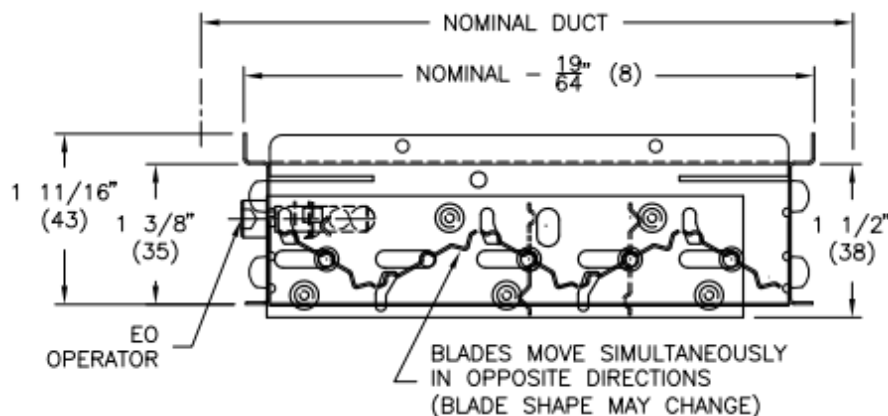
VCR8E



VCR9

OPPOSED BLADE DAMPER

ITEM	SIZE
PIVCS3-6X6	6X6
PIVCS3-8X8	8X8
PIVCS3-9X9	9X9
PIVCS3-10X10	10X10
PIVCS3-12X12	12x12



ITEM	DESCRIPTION	PANEL SIZE
PIAFI	R-6 MOLDED INSULATION	24x24
PIAFI-12X12	R-6 MOLDED INSULATION	12X12
PIALUMINUM PAINT	Aluminum Spray Paint 12 oz.	-
PIWHITE PAINT	White Spray Paint - 12oz.	-



WHITE STEEL SUPPLY & RETURN REGISTERS AND GRILLES



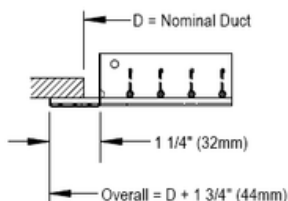
STEEL SUPPLY REGISTERS WITH DAMPER

ITEM	WxH	Nominal CFM
PI520D8x4/B12	8x4	180
PI520D8x6/B12	8x6	260
PI520D10x4/B12	10x4	220
PI520D10x6/B12	10x6	340
PI520D12x4/B12	12x4	260
PI520D12x6/B12	12x6	390
PI520D12x8/B12	12x8	480
PI520D14x6/B12	14x6	370
PI520D14x8/B12	14x8	550
PI520D16x6/B12	16x6	415
PI520D16x8/B12	16x8	650
PI520D16x10/B12	16x10	720
PI520D18x6/B12	18x6	480
PI520D18x8/B12	18x8	720
PI520D18x10/B12	18x10	855
PI520D18x12/B12	18x12	1070
PI520D20x6/B12	20x6	550
PI520D20x8/B12	20x8	750
PI520D20x10/B12	20x10	945
PI520D20x12/B12	20x12	1045
PI520D24x6/B12	24x6	750
PI520D24x8/B12	24x8	945
PI520D24x10/B12	24x10	1300
PI520D24x12/B12	24x12	1440
PI520D24x16/B12	24x16	1720
PI520D30x8/B12	30x8	1200
PI520D30x10/B12	30x10	1400
PI520D30x12/B12	30x12	1800
PI520D30x16/B12	30x16	2180
PI520D36x8/B12	36x8	1440
PI520D36x12/B12	36x12	1950
PI520D36x16/B12	36x16	2530
PI520D36x18/B12	36x18	3000

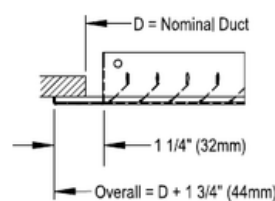
STEEL RETURN REGISTERS & GRILLES

ITEM	WxH	Nominal CFM
PI5306x6/B12	6x6	125
PI5308x8/B12	8x8	235
PI53010x6/B12	10x6	240
PI53010x8/B12	10x8	280
PI53010x10/B12	10x10	370
PI53012x6/B12	12x6	250
PI53012x8/B12	12x8	375
PI53012x12/B12	12x12	550
PI53014x6/B12	14x6	280
PI53014x8/B12	14x8	420
PI53014x14/B12	14x14	710
PI53016x8/B12	16x8	490
PI53016x10/B12	16x10	550
PI53016x16/B12	16x16	960
PI53018x12/B12	18x12	805
PI53018x18/B12	18x18	1000
PI53020x20/B12	20x20	1300
PI53022x22/B12	22x22	1600
PI53024x8/B12	24x8	710
PI53024x12/B12	24x12	925
PI53024x18/B12	24x18	1400
PI53024x24/B12	24x24	1700
PI53030x12/B12	30x12	1100
PI53030x24/B12	30x24	2150
PI53030x30/B12	30x30	3000
PI53036x18/B12	36x18	2150
PI53036x24/B12	36x24	2800
PI53036x30/B12	36x30	3000
PI53036x36/B12	36x36	3600
PI53048x24/B12	48x24	3300

1 1/4" (32mm) Flat Frame



(32mm) Flat Frame



Greensboro Only

SUPPLY & RETURN REGISTERS AND GRILLES



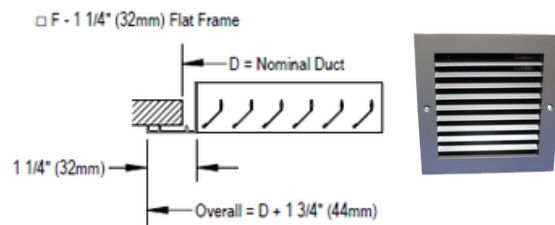
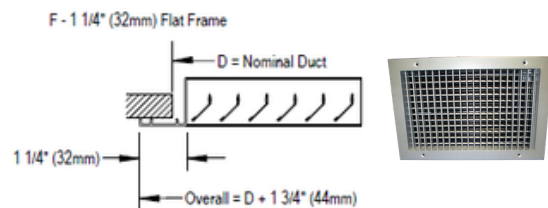
****All aluminum models are aluminum finish****

ALUMINUM SUPPLY REGISTERS WITH DAMPER

ITEM	WxH	Nominal CFM
PI620D8X4/B15	8x4	180
PI620D8X6/B15	8x6	260
PI620D10X4/B15	10x4	220
PI620D10X6/B15	10x6	340
PI620D12X4/B15	12x4	260
PI620D12X6/B15	12x6	390
PI620D12X8/B15	12x8	480
PI620D14X6/B15	14x6	370
PI620D14X8/B15	14x8	550
PI620D16X6/B15	16x6	415
PI620D16X8/B15	16x8	650
PI620D16X10/B15	16x10	720
PI620D18X6/B15	18x6	480
PI620D18X8/B15	18x8	720
PI620D18X10/B15	18x10	855
PI620D18X12/B15	18x12	1070
PI620D20X6/B15	20x6	550
PI620D20X8/B15	20x8	750
PI620D20X10/B15	20x10	945
PI620D20X12/B15	20x12	1045
PI620D24X6/B15	24x6	750
PI620D24X8/B15	24x8	945
PI620D24X10/B15	24x10	1300
PI620D24X12/B15	24x12	1440
PI620D24X16/B15	24x16	1720
PI620D30X8/B15	30x8	1200
PI620D30X10/B15	30x10	1400
PI620D30X12/B15	30x12	1800
PI620D30X16/B15	30x16	2180
PI620D36X8/B15	36x8	1440
PI620D36X12/B15	36x12	1950
PI620D36X16/B15	36x16	2530
PI620D36X18/B15	36x18	3000

ALUMINUM RETURN REGISTERS & GRILLES

ITEM	WxH	Nominal CFM
PI6306X6/B15	6x6	125
PI6308X8/B15	8x8	235
PI63010X6/B15	10x6	240
PI63010X8/B15	10x8	280
PI63010X10/B15	10x10	370
PI63012X6/B15	12x6	250
PI63012X8/B15	12x8	275
PI63012X12/B15	12x12	550
PI63014X6/B15	14x6	280
PI63014X8/B15	14x8	420
PI63014X14/B15	14x14	710
PI63016X8/B15	16x8	490
PI63016X10/B15	16x10	550
PI63016X16/B15	16x16	960
PI63018X12/B15	18x12	805
PI63018X18/B15	18x18	1000
PI63020X20/B15	20x20	1300
PI63022X22/B15	22x22	1600
PI63024X8/B15	24x8	710
PI63024X12/B15	24x12	925
PI63024X18/B15	24x18	1400
PI63024X24/B15	24x24	1700
PI63030X12/B15	30x12	1100
PI63030X24/B15	30x24	2150
PI63030X30/B15	30x30	3000
PI63036X18/B15	36x18	2150
PI63036X24/B15	36x24	2800
PI63036X30/B15	36x30	3000
PI63036X36/B15	36x36	3600
PI63048X24/B15	48x24	3300

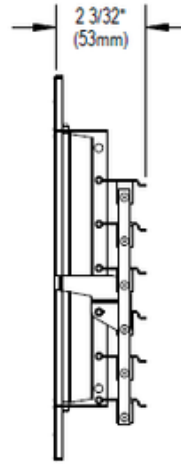
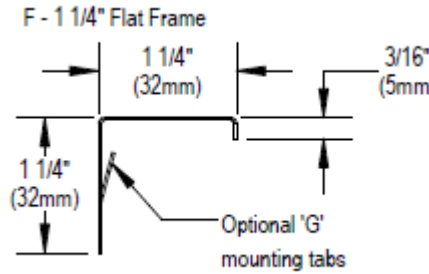


- HVAC EQUIPMENT & ACCESSORIES
- DEHUMIDIFIERS / DRIVES / STARTERS
- PARTS
- FANS & ACCESSORIES
- ROOF CURBS / RAILS / PIPE PORTALS
- COMMERCIAL AIR DISTRIBUTION
- RESIDENTIAL AIR DISTRIBUTION
- LOUVERS / BRICK VENTS
- HEATERS / IAQ & FILTRATION
- DUCTWORK
- SUPPLIES / TOOLS

AIR DISTRIBUTION PRODUCTS

MODEL 540 SUPPLY GRILLES

- Surface mount
- Economical steel construction
- Single deflection
- Multi-shutter damper
- White (B12) powder coat finish



ITEM	Nominal CFM
PI540-10X4	375
PI540-12X4	415
PI540-10X6	500
PI540-12X6	550
PI540-12X8	700
PI540-14X8	800
PI540-16X8	900

VARITHERM MODEL VPD-HC

- Tee-bar Lay-in ceilings
- Steel backpan, faceplate & linkage
- Minimum airflow adjustment at diffuser
- Forced open for system balancing
- Manual temperature set point
- Hinged plaque with magnetic closure
- White (B12) powder coat finish



ITEM	Neck Size	Nominal CFM	Noise Criteria
PIVPD-HC-6	6	200	30
PIVPD-HC-8	8	300	30
PIVPD-HC-10	10	400	30
PIVPD-HC-12	12	500	30

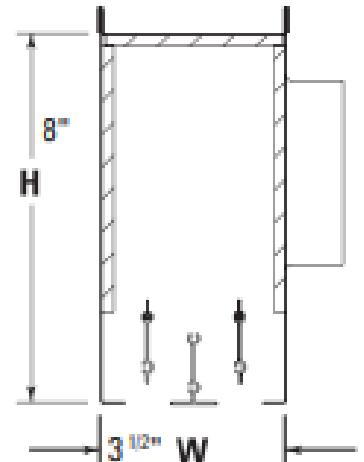
****Available in Greensboro Only****

MODEL TBDI475 SLOT DIFFUSERS

- DESIGNED FOR TEE-BAR LAY-IN CEILINGS
- ADJUSTABLE AIR PATTERN CONTROLLERS WITH 3/4" SLOTS
- INTERNALLY INSULATED WITH NEOPRENE
- COATED FIBERGLASS INSULATION



ITEM	A Width	Inlet	# of Slots	Nominal CFM*
PITBDI475-24-8-2	3 1/2"	8" Flat Oval	2	160
PITBDI475-48-8-2	3 1/2"	8" Flat Oval	2	225
PITBDI475-48-10-2	3 1/2"	10" Flat Oval	2	275



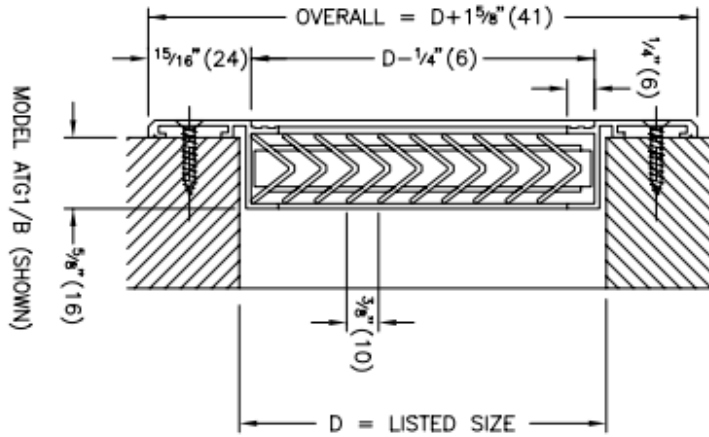
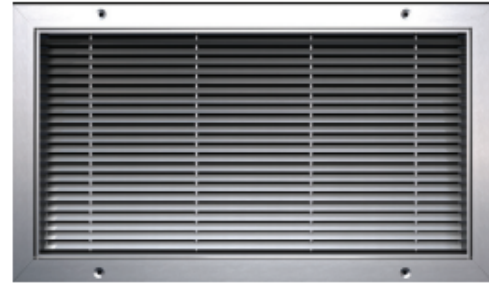
AIR DISTRIBUTION PRODUCTS



MODEL ATG DOOR GRILLE

- Extruded aluminum construction with 70-degree blades
- Inverted vee blades prevent clear line of sight
- Finished on both sides for door
- Fits door/partitions as thin as 1-3/8"
- Aluminum (B15) powder coat finish

ITEM	Nominal CFM
PIATG1-12X12/B15	250
PIATG1-18X12/B15	350
PIATG1-18X18/B15	500
PIATG1-24X24/B15	700



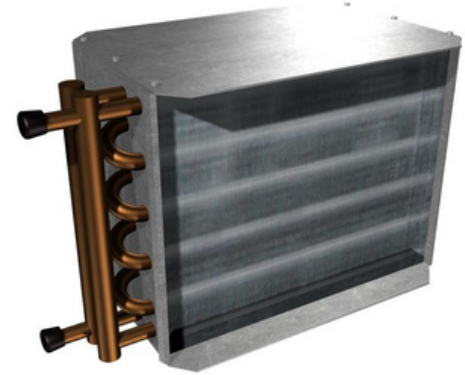
AIR DISTRIBUTION PRODUCTS



HOT WATER COILS

- Single duct variable volume terminals

ITEM	DESCRIPTION
PIWCSXV1R-5-6	1- Row Hot Water Coil - 5-6"
PIWCSXV1R-8	1- Row Hot Water Coil - 8"
PIWCSXV1R-10	1- Row Hot Water Coil - 10"
PIWCSXV1R-12	1- Row Hot Water Coil - 12"
PIWCSXV1R-14	1- Row Hot Water Coil - 14"
PIWCSXV2R-5-6	2 Row, Hot Water Coil - 5,6
PIWCSXV2R-8	2 Row, Hot Water Coil - 8
PIWCSXV2R-10	2 Row, Hot Water Coil - 10
PIWCSXV2R-12	2 Row, Hot Water Coil - 12
PIWCSXV2R-14	2 Row, Hot Water Coil - 14

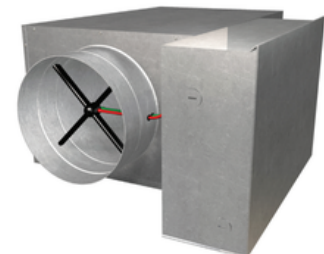
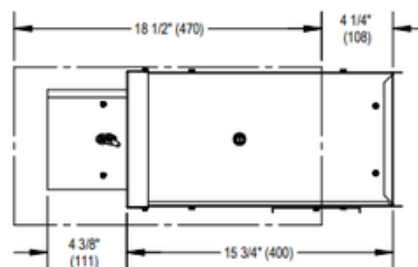
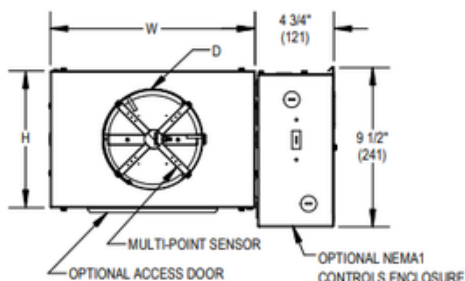


SINGLE DUCT VARIABLE VOLUME TERMINALS

- **Controls by Others**
 - Control Terminals are designed for use in low, medium or high pressure variable air volume, single duct systems.
 - This throttling-type terminal incorporates a single damper blade which operates through a 90° arc, providing throttling capability in all positions.
 - Controls by Others terminal incorporates many unique features. Most of these standard features are expensive options for other manufacturers. The Controls By Others incorporates the Patented FlowStar airflow sensor along with a Nema 1 enclosure and 120-volt transformer.
 - 1/2" (13 mm) thick internal fiberglass insulation which meets requirements of NFPA 90A and UL181

ITEM	Inlet Dia.	Nominal CFM	Min. PS
PISDV5-2000-5	5	250	.01
PISDV5-2000-6	6	400	.01
PISDV5-2000-8	8	600	.04
PISDV5-2000-10	10	1100	.05
PISDV5-2000-12	12	1800	.07
PISDV5-2000-14	14	2300	.07

SIZE	Inlet Size (D)	Width	Height
5	4 7/8	12	8
6	5 7/8	12	8
8	7 7/8	12	10
10	9 7/8	14	12 1/2
12	11 7/8	16	15
14	13 7/8	20	17 1/2



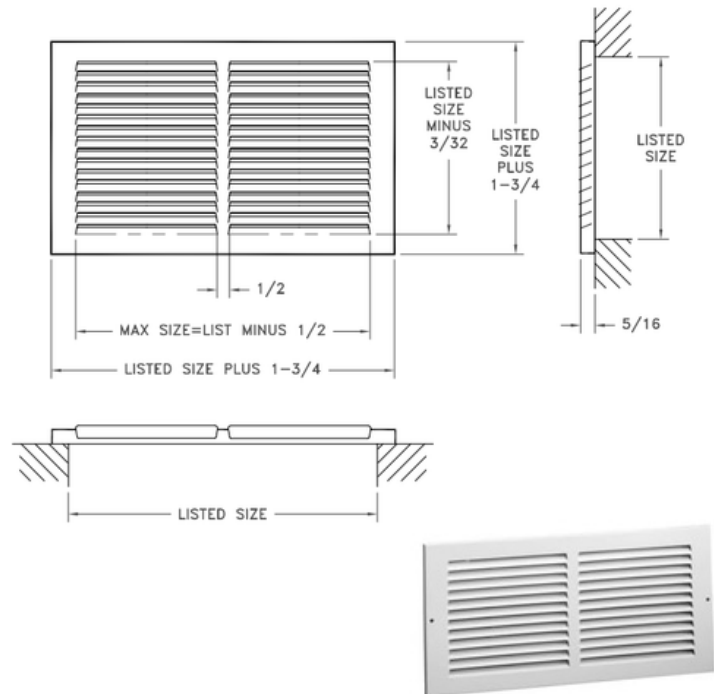
RESIDENTIAL CEILING DIFFUSERS



MODEL 672 CEILING/SIDEWALL RETURN REGISTER

- All-Steel construction
- 1/2" spaced fins set at 40 degrees
- 5/16" margin turnback
- Bright white finish

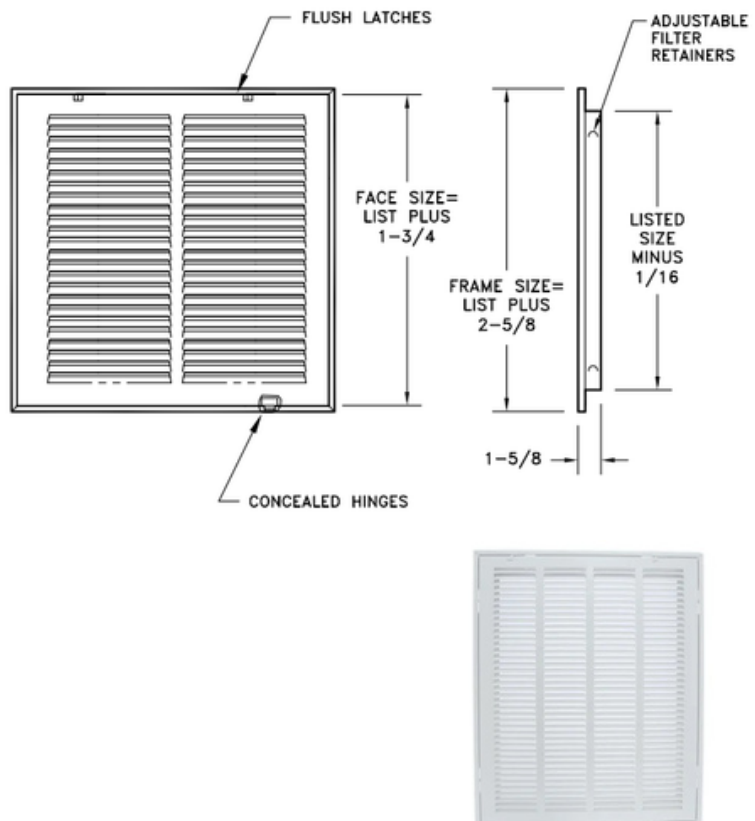
ITEM	WxH	Nominal CFM *
HC672-10x04W	10x04	74-93
HC672-10x10W	10x10	184-230
HC672-12x12W	12X12	263-329
HC672-12x20W	12X20	435-544
HC672-12x24W	12X24	521-651
HC672-12x06W	12X6	133-166
HC672-14x10W	14X10	256-320
HC672-14x12W	14X12	306-383
HC672-14x14W	14X14	357-446
HC672-14x20W	14X20	507-634



MODEL 673 CEILING/SIDEWALL RETURN REGISTER

- All-Steel construction
- 1/2" spaced fins set at 40 degrees
- Equipped with adjustable filter retainers
- Bright white finish

ITEM	WxH	Nominal CFM *
HC673-12x12W	12X12	288
HC673-12x20W	12X20	480
HC673-12x24W	12X24	576
HC673-14x14W	14X14	392
HC673-14x20W	14X20	560
HC673-14x25W	14X25	700
HC673-14x30W	14X30	840
HC673-20x10W	20X10	400
HC673-20x14W	20X14	560
HC673-20x20W	20X20	800
HC673-20x25W	20X25	1000
HC673-20x30W	20X30	1200



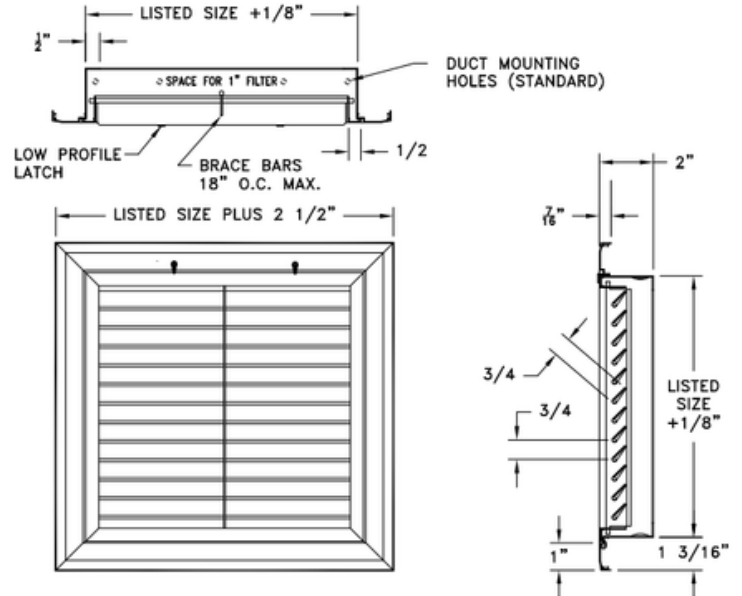
RESIDENTIAL AIR DISTRIBUTION



MODEL RHF45 RETURN SIDEWALL ALUMINUM GRILLE

- Fixed 45-degree blades
- 1-1/2" beveled frame
- Reformulated clear resin slide latches
- Extruded aluminum construction

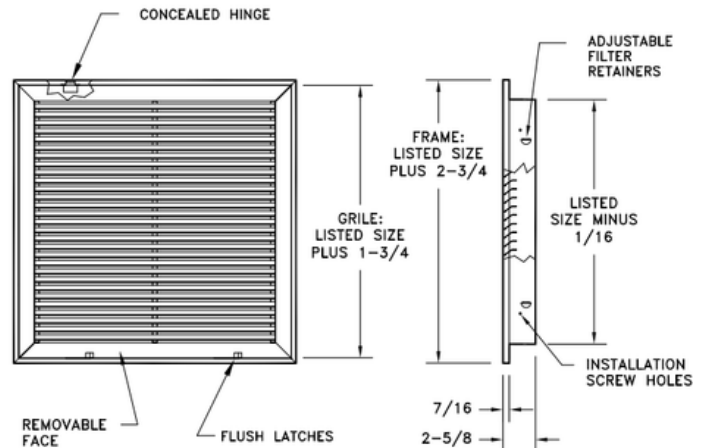
ITEM	WxH	Nominal CFM *
HCRHF45-14X14W	14X14	480
HCRHF45-14X20W	14X20	700
HCRHF45-14X24W	14X24	1250
HCRHF45-14X25W	14X25	1000
HCRHF45-16X20W	16X20	1000
HCRHF45-16X25W	16X25	1300
HCRHF45-20X14W	20X14	700
HCRHF45-20X20W	20X20	1300
HCRHF45-20X25W	20X25	1350
HCRHF45-25X20W	25X20	1500



MODEL 96AFB RETURN FILTER GRILLE

- Steel construction
- Simplifies contractor installation flush, removable face with concealed hinges
- Equipped with adjustable filter retainers
- 3/4" spaced fins set at 35 degree

ITEM	WxH	Nominal CFM *
HC96AFB-14x25W	14X25	700
HC96AFB-20x10W	20X10	400
HC96AFB-20x16W	20X16	640
HC96AFB-20x20W	20X20	800
HC96AFB-20x25W	20X25	1000

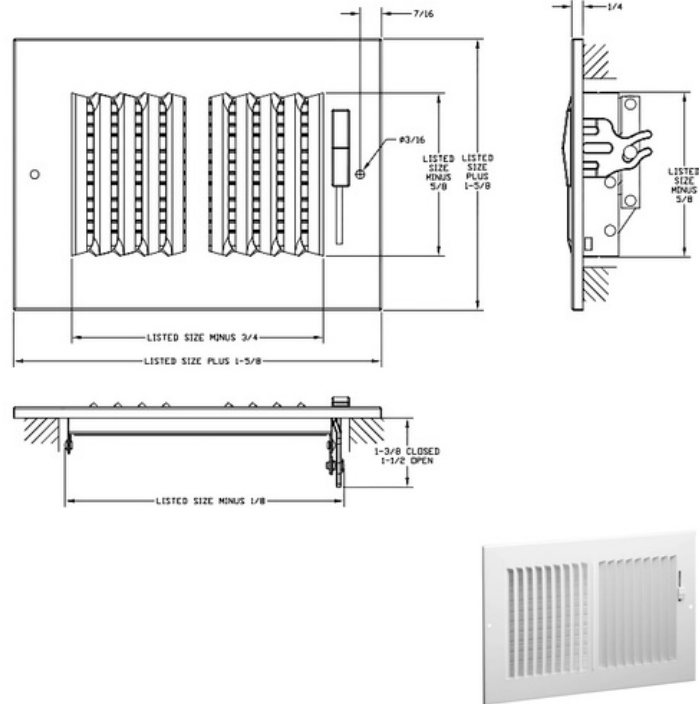


RESIDENTIAL AIR DISTRIBUTION



MODEL 682 2-WAY SUPPLY CEILING/SIDEWALL REGISTER

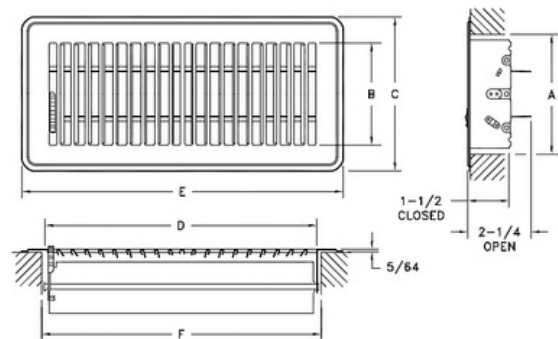
- All-steel construction (682)
- Ideal for shallow duct installations
- Two-way deflection
- Multi-shutter Valve
- 1 5/8" depth when fully opened
- Bright white finish



ITEM	WxH	Nominal CFM *
HC682-10x04W	10x4	60-90
HC682-10x06W	10x6	95-150
HC682-12x04W	12x4	70-110
HC682-12x06W	12x6	115-180
HC682-14x04W	14x4	115-180
HC682-14x06W	14x6	145-230

MODEL 421 FLOOR SUPPLY REGISTER

- All-steel construction
- Multi-angle fin setting
- Rolled fin for strength and safety
- Foot-operated dial control
- Heavy-gauge, stamped face
- Golden sand or bright white enamel finish



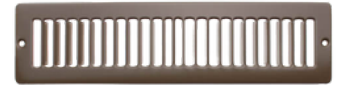
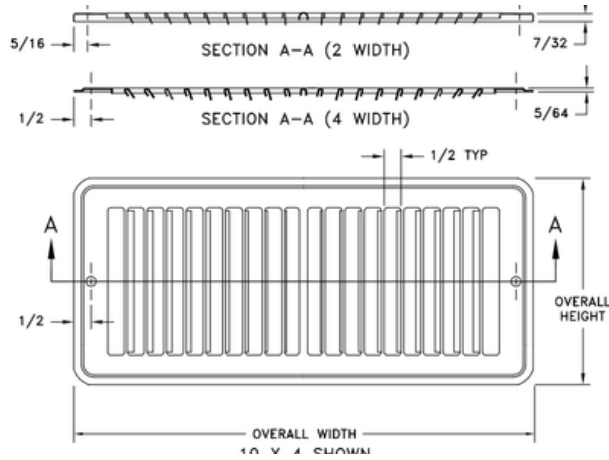
ITEM	A x F	B	C	D	E	Nominal CFM *
HC421-02X12W	2x12	2	3-3/4	11-5/8	11-1/2	50-80
HC421-04X10W	4x10	3-3/4	5-1/2	9-5/8	11-1/2	80-135
HC421-04X12W	4x12	3-3/4	5-1/2	11-5/8	13-1/2	100-160
HC421-04X14W	4x14	3-3/4	5-1/2	13-5/8	15-1/2	115-185
HC421-06X10W	6x10	5-1/2	7-1/2	9-5/8	11-1/2	120-190
HC421-06X12W	6x12	5-1/2	7-1/2	11-5/8	13-1/2	140-230
HC421-02X12GS	2x12	2	3-3/4	11-5/8	13-1/2	50-80
HC421-04X10GS	4x10	3-3/4	5-1/2	9-5/8	11-1/2	80-135
HC421-04X14GS	4x14	3-3/4	5-1/2	13-5/8	15-1/2	115-185
HC421-06X10GS	6x10	5-1/2	7-1/2	9-5/8	11-1/2	120-190
HC421-06X12GS	6x12	5-1/2	7-1/2	11-5/8	13-1/2	140-230

RESIDENTIAL AIR DISTRIBUTION

MODEL 420 RETURN STEEL TOE KICK

- All-steel construction (682)
- Heavy-gauge, stamped face
- Multi-angle fins
- Golden sand finish

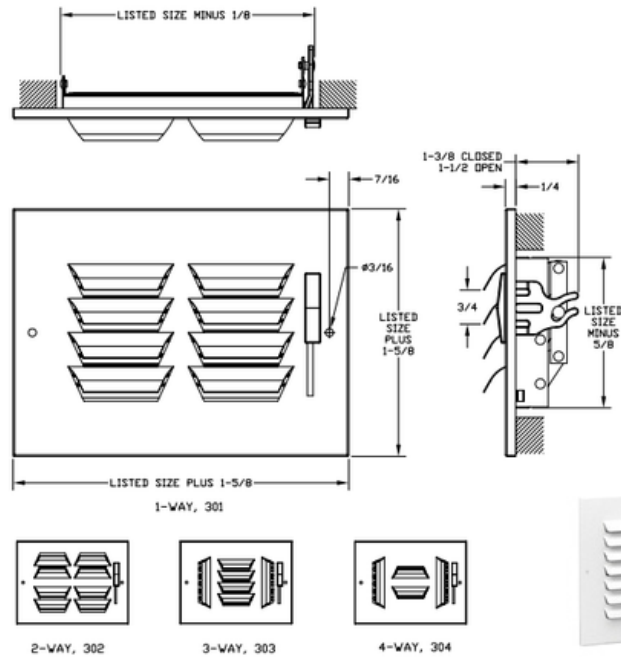
ITEM	WxH	Nominal CFM *
HC420-02x10GS	2X10	45-70
HC42002x12GS	2X12	50-80



MODEL 301 STEEL CURVED BLADE SUPPLY REGISTER

- One-piece, stamped-face, curved blade construction
- One-way deflection
- One-way air pattern
- Multi-shutter valve, galvanized
- Bright white enamel finish

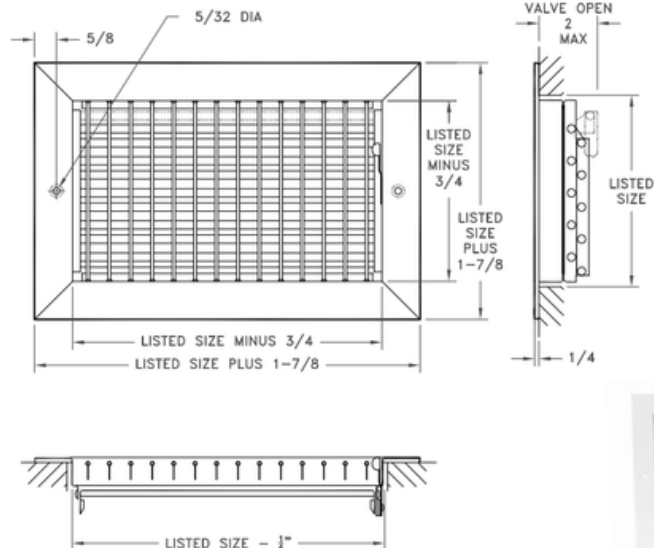
ITEM	WxH	Nominal CFM *
HC301-10x04W	10X4	60-85
HC301-12x06W	12X6	95-130
HC301-14x04W	14X4	75-105



MODEL 821 STEEL SUPPLY REGISTER VERTICAL FINS

- All-steel construction
- Vertical, adjustable face bars
- Horizontal multi-shutter valve
- Bright white finish

ITEM	WxH	Nominal CFM *
HC821-10X04W	10X4	100-140
HC821-12X04W	12X4	120-170
HC821-12X06W	12X6	190-265
HC821-14X04W	14X4	145-200
HC821-14X06W	14X6	220-310



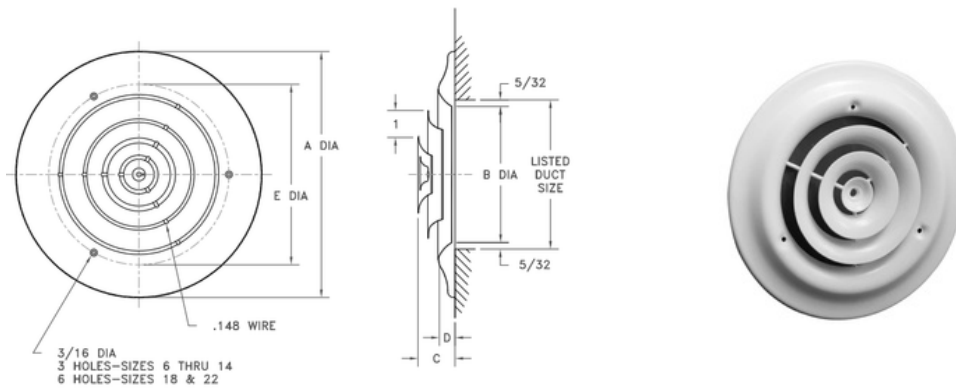
RESIDENTIAL CEILING DIFFUSERS



MODEL 16 ROUND CEILING DIFFUSER

- Steel construction
- White (B12) powder coat finish
- Optional duct ring or damper
- Ideal for residential, apartment, or light commercial applications

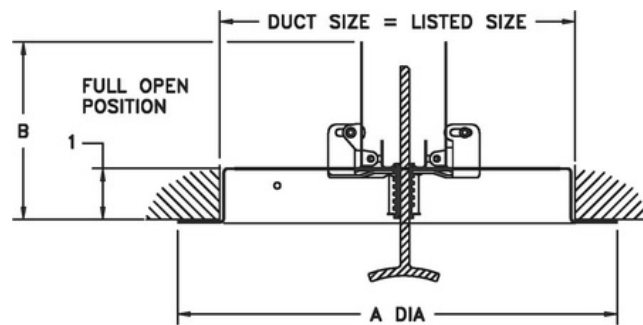
ITEM	Nominal CFM	A DIA	B DIA	C	D	E DIA Neck Size
HC16-6	135	9-15/16	5-11/16	1-3/64	11/16	6-1/2
HC16-8	225	11-15/16	7-11/16	1-7/32	11/16	8-1/2
HC16-10	345	13-15/16	9-11/16	1-25/64	11/16	10-1/2
HC16-12	500	15-15/16	11-11/16	1-9/16	11/16	12-1/2



DUCT RING WITH DAMPER

Use with Model 16

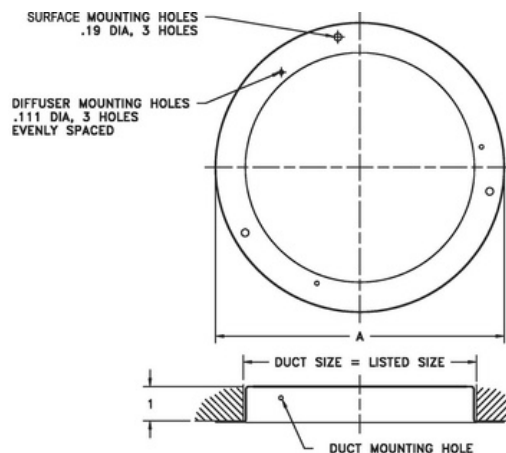
ITEM	SIZE	A	B
HC12-6	6	7 1/2	3 11/16
HC12-8	8	9 1/2	4 11/16
HC12-10	10	10 7/8	5 11/16
HC12-12	12	12 7/8	6 11/16



DUCT RING NO DAMPER

Use with Model 16

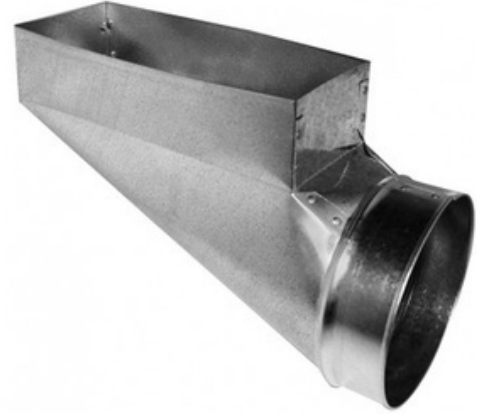
ITEM	SIZE	A
HC11-6	6	7 1/2
HC11-8	8	9 1/2
HC11-10	10	10 7/8
HC11-12	12	12 7/8





RESIDENTIAL BOOTS

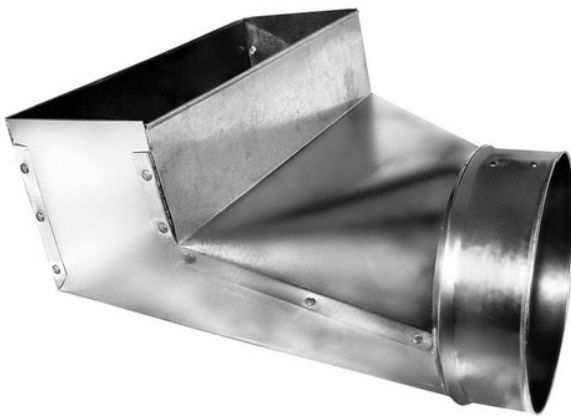
ITEM	DESCRIPTION
SW28R2126	2 1/4X12X6 Center End Register Boot
SW28REND4104	4X10X4 Center End Register Boot
SW28REND4105	4X10X5 Center End Register Boot
SW28REND4106	4X10X6 Center End Register Boot
SW28REND4107	4X10X7 Center End Register Boot
SW28REND4108	4X10X8 Center End Register Boot
SW8REND4124	4X12X4 Center End Register Boot
SW28REND4125	4X12X5 Center End Register Boot
SW28REND4126	4X12X6 Center End Register Boot
SW28REND4127	4X12X7 Center End Register Boot
SW28REND4128	4X12X8 Center End Register Boot
SW28R4146	4X14X6 Center End Register Boot
SW28R4148	4X14X8 Center End Register Boot
SW28R6106	6X10X6 Center End Register Boot
SW28R6108	6X10X8 Center End Register Boot
SW28R6126	6X12X6 Center End Register Boot
SW28R6128	6X12X8 Center End Register Boot



Center End Register Boot

90-DEGREE REGISTER BOOTS

ITEM	DESCRIPTION
SW24R2126	2 1/4X12X6 90-Degree Register Boot
SW4R904104	4X10X4 90-Degree Register Boot
SW4R904105	4X10X5 90-Degree Register Boot
SW24R904106	4X10X6 90-Degree Register Boot
SW24R904107	4X10X7 90-Degree Register Boot
SW24R904108	4X10X8 90-Degree Register Boot
SW24R904124	4X12X4 90-Degree Register Boot
SW24R904125	4X12X5 90-Degree Register Boot
SW24R904126	4X12X6 90-Degree Register Boot
SW24R904127	4X12X7 90-Degree Register Boot
SW24R904128	4X12X8 90-Degree Register Boot
SW24R4146	4X14X6 90-Degree Register Boot
SW24R4148	4X14X8 90-Degree Register Boot
SW24R6106	6X10X6 90-Degree Register Boot
SW24R6108	6X10X8 90-Degree Register Boot
SW24R6126	6X12X6 90-Degree Register Boot
SW24R6128	6X12X8 90-Degree Register Boot



90-Degree Register Boot

RESIDENTIAL BOOTS



ITEM	DESCRIPTION
SW27R2126	2 1/4X12X6 Straight Register Boot
SW27RST4104	4X10X4 Straight Register Boot
SW27RST4105	4X10X5 Straight Register Boot
SW27RST4106	4X10X6 Straight Register Boot
SW27RST4107	4X10X7 Straight Register Boot
SW27RST4108	4X10X8 Straight Register Boot
SW27RST4124	4X12X4 Straight Register Boot
SW27RST4125	4X12X5 Straight Register Boot
SW27RST4126	4X12X6 Straight Register Boot
SW27RST4127	4X12X7 Straight Register Boot
SW27RST4128	4X12X8 Straight Register Boot
SW27R4146	4X14X6 Straight Register Boot
SW27R4148	4X14X8 Straight Register Boot
SW27R6106	6X10X6 Straight Register Boot
SW27R6108	6X10X8 Straight Register Boot
SW27R6126	6X12X6 Straight Register Boot
SW27R6128	6X12X8 Straight Register Boot



Straight Register Boot

MISCELLANEOUS DUCTWORK

ITEM	DESCRIPTION
SW31PF 4X10	Plaster Frame
SW31PF 4X12	Plaster Frame
SW78WYE644	Aluminum Wye
SW78WYE866	Aluminum Wye
SW78WYE1088	Aluminum Wye
SW78WYE121010	Aluminum Wye
SW97FC4	4" FLEX CONNECTOR
SW97FC6	6" FLEX CONNECTOR
SW97FC8	8" FLEX CONNECTOR
SW1428	8 IN STORM COLLAR



Plaster Frame



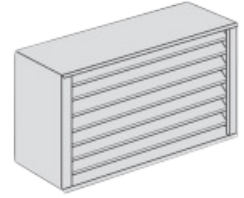
Aluminum Wye

BRICK VENTS

LEDBETTER FOUNDRY MODEL LBV CAST ALUMINUM BRICK VENT

- 4" deep
- Cast aluminum, load bearing construction
- Includes water stop and insect screen

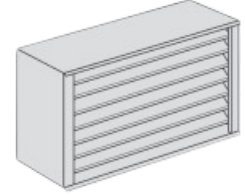
MODEL	SIZE
LFLBV88	8 x 7 3/4
LFLBV168	16 x 7 3/4



SUNVENT MODEL EX EXTRUDED ALUMINUM BRICK VENT

- 4" deep
- Extruded aluminum, load bearing construction
- Clear anodized finish
- Includes water stop and insect screen

MODEL	SIZE
SVEX808	8 1/8 x 7 3/4
SVEX128	12 x 7 3/4
SVEX157	15 5/8 x 7 3/4



MODEL FL FLANGED EXTRUDED ALUMINUM BRICK VENT

- 1 - 1/2" deep with 1" flange
- Extruded aluminum, non-load bearing construction
- Includes water stop, storm drip blade and insect screen

MODEL	SIZE
SVFL808	8 1/8 x 7 3/4
SVFL128	12 x 7 3/4
SVFL1212	12 x 11 3/4
SVFL157	15 5/8 x 7 3/4



STATIONARY ALUMINUM LOUVERS



MODEL ELF211 THINLINE STATIONARY LOUVER

- Extruded aluminum construction
- 2" deep, .060" channel frame and blades
- Expanded aluminum birdscreen (on inside)
- Standard mill finish

MODEL	Size W x H	Free Area (Ft ²)
RKELF211 12X12	12 x 12	0.26
RKELF211 18X12	18 x 12	0.45
RKELF211 24X12	24 x 12	0.76



MODEL GFL800D STATIONARY LOUVER

- Extruded aluminum construction
- 4" deep, .080" channel frame with caulking slots
- Blades are .080" drainable
- Expanded aluminum birdscreen (on inside)
- Standard mill finish

MODEL	Size W x H	Free Area (Ft ²)
RKGFL800D 18X18	18 x 18	0.67
RKGFL800D 24X18	24 x 18	0.93
RKGFL800D 24X24	24 x 24	1.49
RKGFL800D 30X24	30 x 24	1.90
RKGFL800D 36X24	36 x 24	2.31
RKGFL800D 30X30	30 x 30	2.59
RKGFL800D 36X30	36 x 30	3.15
RKGFL800D 36X36	36 x 36	3.85
RKGFL800D 42X42	42 x 42	5.18
RKGFL800D 48X48	48 x 48	7.10



* ALL LOUVERS: screen adds 1/2" to depth - All louvers furnished 1/4" smaller than nominal opening size shown *

BALANCING DAMPERS

MODEL MD-25/35/15 MANUAL BALANCING DAMPER

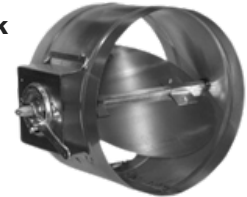
- 22 ga. galvanized steel construction
- 3/8" square plated steel shaft
- Includes hand quadrant and 2" standoff mounting bracket

MODEL	Size W x H
RKMD-25-OBE-12X6	12 X 6
RKMD-25-OBE-12X8	12 X 8
RKMD-25-OBE-12X10	12 X 10
RKMD-25-OBE-12X12	12 X 12
RKMD-25-OBE-18X12	18 X 12
RKMD-25-OBE-24X12	24 X 12
RKMD-35-OBE-14X14	14 X 14
RKMD-35-OBE-18X18	18 X 18
RKMD-35-OBE-24X18	24 X 18
RKMD-35-OBE-24X24	24 X 24
RKMD-15-OBE-12X6	12 X 6
RKMD-15-OBE-12X8	12 X 8
RKMD-15-OBE-24X18	24 X 18



MODEL MDRS-25 ROUND MANUAL BALANCING DAMPER

- 22 ga. galvanized steel construction
- Factory mounted stand-off with locking hand quadrant
- Designed for spiral duct balancing applications
- Seal becomes part of ductwork



MODEL	SIZE	Frame Length
RKMDRS25-6	6	6"
RKMDRS25-8	8	6"
RKMDRS25-10	10	6"
RKMDRS25-12	12	6"
RKMDRS25-14	14	6"

MODEL BDR2 ROUND BACKDRAFT DAMPER

- 20 ga. galvanized steel
- Specially designed blades with closing spring insuring a tight seal.
- Ruskin's exclusive blade hinge design with no frame penetrations to allow air leakage out of the duct.
- Integral rolled blade stop.



MODEL	SIZE
RKBDR2-6	6
RKBDR2-8	8
RKBDR2-10	10
RKBDR2-12	12

CONTROL DAMPERS



MODEL CD-35 LOW-LEAK CONTROL DAMPER

- 16 ga. galvanized steel construction, 6" opposed blades
- EPDM blade seals, metal compression jamb seals
- Includes outboard support bearing and control shaft
- Actuator or hand quadrant sold separately



MODEL	Size W x H
RKCD-36-OBE-12X12	12 x 12
RKCD-36-OBE-18X12	18 x 12
RKCD-36-OBE-24X12	24 x 12
RKCD-36-OBE-14X14	14 x 14
RKCD-36-OBE-18X18	18 x 18
RKCD-36-OBE-24X18	24 x 18
RKCD-36-OBE-24X24	24 x 24
RKCD-36-OBE-30X24	30 x 24
RKCD-36-OBE-36X24	36 x 24
RKCD-36-OBE-30X30	30 x 30
RKCD-36-OBE-36X36	36 x 36
RKCD-36-OBE-42X42	42 x 42
RKCD-36-OBE-48X48	48 x 48



RKHQS375
3/8" Square Manual Hand
Quadrant

MODEL CDRS-25 ROUND LOW LEAKAGE CONTROL DAMPER

- Easily installs in spiral duct
- Polyethylene blade seal ensures low leakage
- Frame constructed of 20 ga. galvanized steel



MODEL	SIZE	Frame Length
RKCDRS25-6	6	6"
RKCDRS25-8	8	6"
RKCDRS25-10	10	6"
RKCDRS25-12	12	6"
RKCDRS25-14	14	6"



Hand quadrant for CDRS-25
and CD-36 models sold
separately
RKHQR - Model 560 1/2"
Round Quadrant**



RKSTAND-OFF for model
CDRS-25 sold separately**

BELIMO DIRECT MOUNT DAMPER ACTUATORS

- 4V/120V, 2 position, spring return
- For use on standard or low leakage dampers
- Graduated position indicator and auxiliary SPDT switch
- Direct mount on damper shaft, can be set for CW or CCW rotation
- Internal closure spring provides consistent closure torque

MODEL	VOLTAGE	Max. Damper Size
BLTFB24-S	24V	4.5 FT ²
BLTFB120-S	120V	4.5 FT ²
BLLF24-S	24V	8 FT ²
BLLF120-S	120V	8 FT ²
BLNFBUP-S	24V-240V	15 FT ²
BLAFBUP-S	24V-240V	33 FT ²



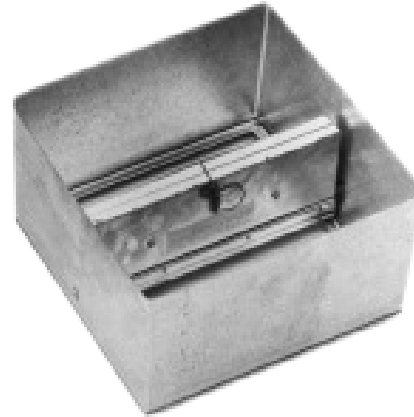
CEILING RADIATION AND FIRE DAMPERS



MODEL CFD CEILING RADIATION DAMPER

- UL classified radiation dampers
- 22 ga. galvanized blades with UL insulation
- 20 ga. galvanized frame

MODEL	SIZE	Ext. Frame Height
RKEXD-CFD3 5-6X6	6 x 6	6"
RKEXD-CFD3 5-8X8	8 x 8	6"
RKEXD-CFD2-9X9	9 x 9	6"
RKEXD-CFD2-10X10	10 x 10	6"
RKEXD-CFD2-12X12	12 x 12	8"
RKEXD-CFD2-15X15	15 x 15	8"
RKEXD-CFD2-18X18	18 x 18	8"
RKEXD-CFD4-21X21	21 x 21	8"
RKEXD-CFD4-22X22	22 x 22	8"



MODEL CFD CEILING RADIATION DAMPER

- UL classified radiation dampers
- 22 ga. galvanized blades with UL insulation
- 20 ga. galvanized frame

STANDARD FRAME (ACTUAL SIZE DEDUCT 1/4")

MODEL	SIZE
RKSTD-CFD3.5-6X6	6 x 6
RKSTD-CFD3.5-8X8	8 x 8
RKSTD-CFD2-9X9	9 x 9
RKSTD-CFD3.5-10X4	10 x 4
RKSTD-CFD3.5-10X6	10 x 6
RKSTD-CFD2-10X10	10 x 10
RKSTD-CFD2-12X6	12 x 6
RKSTD-CFD2-12X12	12 x 12
RKSTD-CFD2-15X15	15 x 15
RKSTD-CFD2-18X18	18 x 18
RKSTD-CFD4-21X21	21 x 21
RKSTD-CFD4-22X22	22 x 22
RKSTD-CFD4-24X24	24 x 24



HVAC EQUIPMENT & ACCESSORIES

PTAC'S / DEHUMIDIFIERS / DRIVES / STARTERS

PARTS

FANS & ACCESSORIES

ROOF CURBS / RAILS / PIPE PORTALS

COMMERCIAL AIR DISTRIBUTION

RESIDENTIAL AIR DISTRIBUTION

LOUVERS / BRICK VENTS

HEATERS / IAQ & FILTRATION

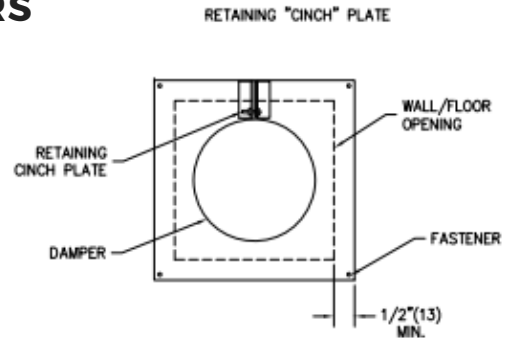
DUCTWORK

SUPPLIES / TOOLS

CEILING RADIATION AND FIRE DAMPERS

MODEL FDR25 ROUND FIRE DAMPER

- UL 555 classified WITH 1.5 hr rating
- Approved for use in 2 hr fire partitions
- Galvanized steel construction, 212-degree fusible link
- Retaining cinch plates and extended duct connections for adjustable installation
- Low pressure drop
- Vertical and horizontal closure spring operation for assured closure under air flow (fans on) in HVAC systems
- Cinch plates included with fire damper purchase



MODEL	SIZE	Frame Height
RKFDR25-6	6"	6 1/2"
RKFDR25-8	8"	6 1/2"
RKFDR25-10	10"	6 1/2"
RKFDR25-12	12"	6 1/2"
RKFDR25-14	14"	6 1/2"
RKFDR25-16	16"	11 1/2"



MODEL	SIZE
RKRET PLATE-6	6"
RKRET PLATE-8	8"
RKRET PLATE-10	10"
RKRET PLATE-12	12"
RKRET PLATE-14	14"
RKRET PLATE-16	16"

CINCH PLATES ALSO SOLD SEPARATELY

MODEL CFDR ROUND CEILING RADIATION DAMPER

- UL 555 classified radiation dampers
- Designed for use with round neck diffusers
- Frame and blades are 20 ga. galvanized steel
- Stocked with extended frame ONLY, actual size shown

MODEL	SIZE	Frame Height
RKCFDR3 5-6	6"	6 1/2"
RKCFDR3 5-8	8"	6 1/2"
RKCFDR3 5-10	10"	6 1/2"
RKCFDR2-12	12"	6 1/2"
RKCFDR2-14	14"	6 1/2"
RKCFDR2-16	16"	11 1/2"



MODEL	DESCRIPTION
RKCFD BLANKET	Insulation Blanket



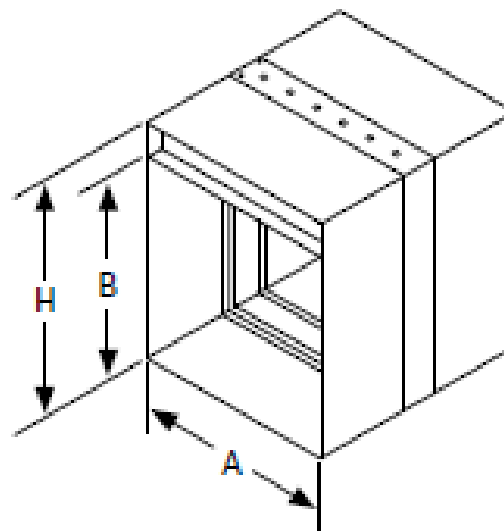
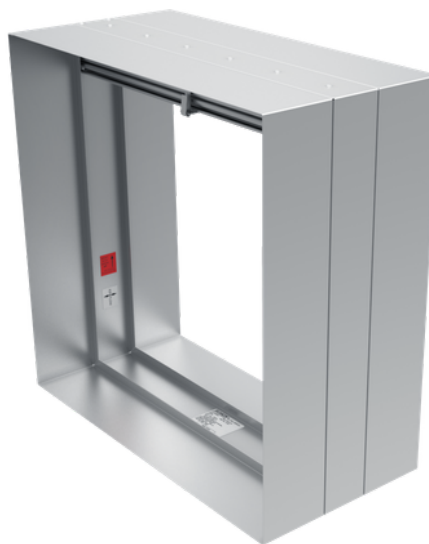
FIRE DAMPERS



MODEL IBD20

- Galvanized steel construction
- Meets all UL and NFPA criteria for primary fire dampers in static (fans off during alarm) HVAC systems.
- An integral sleeve that ensures appropriate sleeve installation and allows delivery direct to job site.
- Includes fast mounting angles

MODEL	A = Duct Width	B = Duct Height	H = Overall Damper Height
RKIBD20-6x6	6	6	7 3/4"
RKIBD20-8X8	8	8	9 3/4"
RKIBD20 - 16x16	16	16	18 3/4"
RKIBD20-10X6	10	6	7 3/4"
RKIBD20-10X8	10	8	9 3/4"
RKIBD20-12X10	12	8	9 3/4"
RKIBD20-12X12	12	12	14 3/4"
RKIBD20-14X10	14	10	11 3/4"
RKIBD20-14X12	14	12	14 3/4"
RKIBD20-14X14	14	14	16 3/4"
RKIBD20-14X6	14	6	7 3/4"
RKIBD20-14X8	14	8	9 3/4"
RKIBD20-16X10	16	10	11 3/4"
RKIBD20-16X12	16	12	14 3/4"
RKIBD20-16X14	16	14	16 3/4"
RKIBD20-16X6	16	6	7 3/4"
RKIBD20-18X10	18	10	11 3/4"
RKIBD20-18X12	18	12	14 3/4"
RKIBD20-18X14	18	14	16 3/4"
RKIBD20-18X16	18	16	18 3/4"
RKIBD20-18X18	18	18	20 3/4"
RKIBD20-20X12	20	12	14 3/4"
RKIBD20-20X14	20	14	16 3/4"
RKIBD20-20X16	20	16	18 3/4"
RKIBD20-20X6	20	6	7 3/4"
RKIBD20-24X12	24	12	14 3/4"
RKIBD20-24X18	24	18	20 3/4"
RKIBD20-24X24	24	24	27 3/4"



Ordered as Need

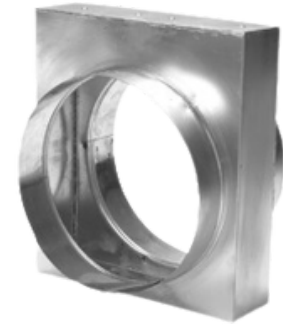
FIRE DAMPERS



MODEL IBD2R/HV ROUND FIRE DAMPER

- Similar to IBD2A, except it includes a round duct attachment collar
- 1.5 hr rating for use in 2 hr rated partitions, 212-degree fusible link
- Stocked dampers have closure spring and latches for horizontal or vertical installations
- Damper housings are square with 2.5" deep round collars
- Recommended for low pressure and low velocity applications only

Collar Diameter (In.)	Housing Size (In.)
RKIBD2R/HV-6	8 x 8
RKIBD2R/HV-8	10 x 10
RKIBD2R/HV-10	12 x 12
RKIBD2R/HV-12	14 x 14
RKIBD2R/HV-14	16 x 16

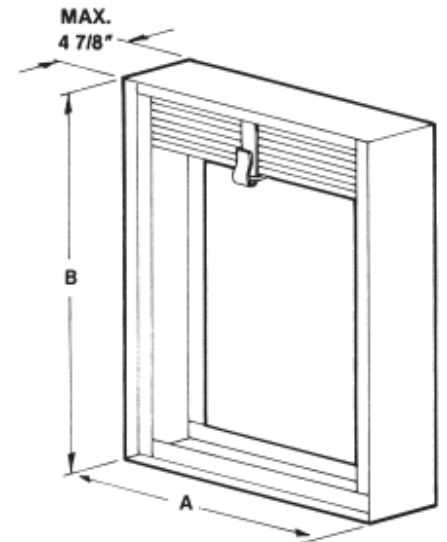


MODEL IBD2A/HV RECTANGULAR FIRE DAMPER

- Curtain style fire damper with 1.5 hr UL rating
- Style A Static Fire Damper
- Approved for use in 2 hr fire partitions
- Galvanized steel construction, 212-degree fusible link
- Stocked dampers have closure spring and latches for horizontal and vertical installations

ITEM	AxB Size
RKIBD2A/HV6X6	6x6
RKIBD2A/HV8X6	8x6
RKIBD2A/HV10X6	10x6
RKIBD2A/HV12X6	12x6
RKIBD2A/HV14X6	14x6
RKIBD2A/HV8X8	8x8
RKIBD2A/HV10X8	10x8
RKIBD2A/HV12X8	12x8
RKIBD2A/HV14X8	14x8
RKIBD2A/HV16X8	16x8
RKIBD2A/HV18X8	18x8
RKIBD2A/HV20X8	20x8
RKIBD2A/HV10X10	10x10
RKIBD2A/HV12X10	12x10
RKIBD2A/HV14X10	14x10
RKIBD2A/HV16X10	16x10
RKIBD2A/HV18X10	18x10
RKIBD2A/HV20X10	20x10

ITEM	AxB Size
RKIBD2A/HV12X12	12x12
RKIBD2A/HV14X12	14x12
RKIBD2A/HV16X12	16x12
RKIBD2A/HV18X12	18x12
RKIBD2A/HV20X12	20x12
RKIBD2A/HV24X12	24x12
RKIBD2A/HV14X14	14x14
RKIBD2A/HV16X14	16x14
RKIBD2A/HV18X14	18x14
RKIBD2A/HV20X14	20x14
RKIBD2A/HV24X14	24x14
RKIBD2A/HV16X16	16x16
RKIBD2A/HV20X16	20x16
RKIBD2A/HV24X16	24x16
RKIBD2A/HV18X18	18x18
RKIBD2A/HV24X18	24x18
RKIBD2A/HV20X20	20x20
RKIBD2A/HV24X24	24x24



ACCESS DOORS



MODEL ADC-14 CAM-TYPE ACCESS DOOR

- 24 ga. galvanized steel construction
- 1/2" insulation board, aluminum foil faced
- Foam gasket and cam locks for tight closure
- Starter tab for easy installation



MODEL	SIZE
RKADC-14-6X6	6 x 6
RKADC-14-8X8	8 x 8
RKADC-14-10X10	10 x 10
RKADC-14-12X12	12 x 12
RKADC-14-14X14	14 x 14
RKADC-14-16X16	16 x 16
RKADC-14-18X18	18 x 18
RKADC-14-24X24	24 x 24

MODEL ADH-14 HINGED ACCESS DOOR

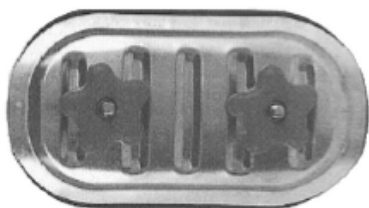
- 24 ga. galvanized steel construction
- 1/2" insulation board, aluminum foil faced
- Foam gasket and cam locks for tight closure
- Starter tab for easy installation



MODEL	SIZE
RKADH-14-6X6	6 x 6
RKADH-14-8X8	8 x 8
RKADH-14-10X10	10 x 10
RKADH-14-12X12	12 x 12
RKADH-14-14X14	14 x 14
RKADH-14-16X16	16 x 16
RKADH-14-18X18	18 x 18
RKADH-14-24X24	24 x 24

DURODYNE MODEL RADI ROUND SPIRAL ACCESS DOOR

- Insulated construction with neoprene gaskets
- Synthetic knobs with metal threaded inserts for ease of turning and prevention of thread stripping
- No need for tools to open



MODEL	Duct Size (In.)	Opening Size (In.)	Door Size (In.)
DDMRADI48-7	6	3 x 7	4 x 8
DDMRADI48-11	8-10	3 x 7	4 x 8
DDMRADI812-14	12-14	7 x 11	8 x 12
DDMRADI812-18	16-18	7 x 11	8 x 12
DDMRADI1216-24	20-24	11 x 15	12 x 16

ACCESS DOORS

KEES STYLE K ACCESS PANEL

- For use in ceilings, masonry and dry walls
- Convenient access to plumbing, heating and electrical systems
- Aluminum frame, 14 ga. steel panel
- Standard security locking



<u>Model and Door Size</u>	<u>Wall Opening</u>	<u>Overall Size</u>	<u>Depth</u>
KSK-8x8	8 3/8 x 8 3/8	10 5/8 x 10 5/8	1 1/2"
KSK-12x12	12 3/8 x 12 3/8	14 5/8 x 14 5/8	1 1/2"
KSK-18x18	18 3/8 x 18 3/8	20 5/8 x 20 5/8	1 1/2"
KSK-24x24	24 3/8 x 24 3/8	26 5/8 x 26 5/8	1 1/2"

CENDREX AHD ACCESS PANEL

- For all surface types
- 16 ga. cold rolled steel
- Screwdriver operated cam latch



<u>Model and Door Size</u>	<u>Wall Opening</u>	<u>Overall Size</u>	<u>Depth</u>
CDAHD-8x8	8 1/4 x 8 1/4	10 x 10	1 1/2"
CDAHD-12x12	12 1/4 x 12 1/4	14 x 14	1 1/2"
CDAHD-18x18	18 1/4 x 18 1/4	20 x 20	1 1/2"
CDAHD-24x24	24 1/4 x 24 1/4	26 x 26	1 1/2"

CENDREX FIRE RATED ACCESS PANEL

- For use in fire-rated walls and ceilings
- Provided with masonry anchors, concealed hinges, turn knob or flush key hole
- 16 ga. steel frame, 20 ga. steel panel



<u>Model and Door Size</u>	<u>Wall Opening</u>	<u>Overall Size</u>	<u>Depth</u>
CDPFI-8x8	8 3/8 x 8 3/8	10 x 10	2 9/16"
CDPFI-12x12	12 3/8 x 12 3/8	14 x 14	2 9/16"
CDPFI-18x18	18 3/8 x 18 3/8	20 x 20	2 9/16"
CDPFI-24x24	24 3/8 x 24 3/8	26 x 26	2 9/16"

MARKEL SERIES 5100 UNIT HEATERS



<u>MODEL</u>	<u>KW</u>	<u>BTUH (000)</u>	<u>Heater Voltage</u>	<u>Control Voltage</u>	<u>Phase</u>
MKHF2B5103N	2.5/3.3	8.5/11.2	208/240	208/240	3/1
MKHF2B5105N	3.7/5.0	12.8/17.1	208/240	208/240	3/1
MKHF2B5107CA1N	5.6/7.5	19.2/25.6	208/240	24	3/1
MKHF2B5110CA1N	7.5/10.0	25.6/34.1	208/240	24	3/1
MKG1G5103N	3.3	11.2	277	277	1
MKG1G5105N	5.0	17.1	277	277	1
MKP3P5103CA1N	3.3	11.2	480	24	3
MKP3P5105CA1N	5.0	17.1	480	24	3
MKP3P5107CA1N	7.5	25.6	480	24	3
MKP3P5110CA1N	10.0	34.1	480	24	3
MKP3P5115CA1N	15.0	51.2	480	24	3
MKP3P5120CA1N	20.0	68.3	480	24	3



ACCESSORIES

<u>MODEL</u>	<u>DESCRIPTION</u>	<u>COMPATIBLE W/</u>
MKA5105	Horizontal Mounting Bracket	3.3 & 5.0 KW Heaters
MKA5120	Horizontal Mounting Bracket	7.5 - 20 KW Heaters
MKV5105	Vertical Mounting Bracket	3.3 - 5.0 KW Heaters
MKV5120	Vertical Mounting Bracket	7.5 - 20 KW Heaters
MKT5100	Field Installed Internal Thermostat	For all Except MKHF2B5103, 05 3 ph
MKT5102	Field Installed Internal Thermostat	HF2B5103, 05, 3 ph
MKTW1512	HD Line Voltage Wall Thermostat	MKHF2B5103N, MKHF2B5105N, MKHF2B5107CA1N, MKHF2B5110CA1N, MKP3P5103CA1N, MKP3P5105CA1N, MKP3P5107CA1N, MKP3P5110CA1N, MKP3P5115CA1N, MKP3P5120CA1N
MKS2022H10AB	Line Voltage Wall Thermostat	MKHF2B5103N, MKHF2B5105N, MKHF2B5107CA1N, MKHF2B5110CA1N, MKG1G5103N, & MKG1G5105N
MKRK120EAA	Low Voltage Wall Thermostat	MKHF2B5107CA1N, MKHF2B5110CA1N, MKP3P5103CA1N, MKP3P5105CA1N, MKP3P5107CA1N, MKP3P5110CA1N, MKP3P5115CA1N, MKP3P5120CA1N
MKDCS202	Power Disconnect Switch	MKHF2B5103N, MKHF2B5105N, MKG1G5103N
MKDCS403	Power Disconnect Switch	MKHF2B5103N, MKHF2B5105N, MKHF2B5107CA1N, MKG1G5105N, MKP3P5103CA1N, MKP3P5105CA1N, MKP3P5107CA1N, MKP3P5110CA1N, MKP3P5115CA1N, MKP3P5120CA1N
MKDCS603	Power Disconnect Switch	MKHF2B5110CA1N

HVAC EQUIPMENT
& ACCESSORIES

PTAC'S /
DEHUMIDIFIERS /
DRIVES / STARTERS

PARTS

FANS &
ACCESSORIES

ROOF CURBS /
RAILS / PIPE
PORTALS

COMMERCIAL AIR
DISTRIBUTION

RESIDENTIAL AIR
DISTRIBUTION

LOUVERS /
BRICK VENTS

HEATERS / IAQ
& FILTRATION

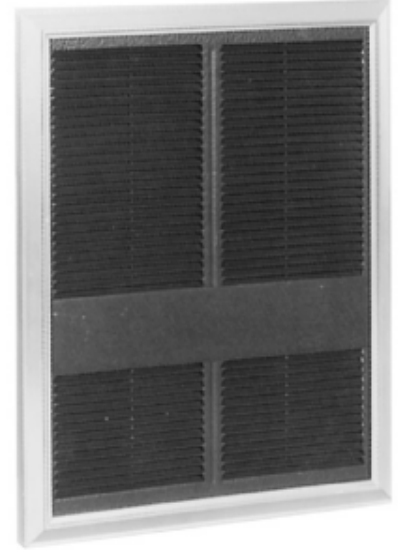
DUCTWORK

SUPPLIES /
TOOLS

ELECTRIC HEATERS

MARKEL FAN FORCED ELECTRIC WALL HEATERS

<u>MODEL</u>	<u>KW</u>	<u>BTUH (000)</u>	<u>Voltage/Phase</u>
MKE3323	1.5	5120	120/1
MKHF3323	1.125/1.5	3840/5120	208/240/1
MKHF3324	1.5/2.0	5120/6284	208/240/1
MKHF3325	2.25/3.0	7763/10,350	208/240/1
MKHF3326	3.0/4.0	10,350/13,800	208/240/1
MKG3324	2.0	6284	277/1
MKG3325	3.0	10,350	277/1
MKG3326	4.0	13,800	277/1



ACCESSORIES

<u>MODEL</u>	<u>DESCRIPTION</u>
MK3320EX33SLEEVE	Surface Mounting Sleeve
MK3310WALLBOX	Rough-In Box for Advance Installation
MKETD9STS	ETD9STS Spdt Heat Or Cool Thermostat W Thermometer, Terminals, 59-90F

REZNOR MODEL EUHC COMPACT ELECTRIC UNIT HEATER

<u>MODEL</u>	<u>KW</u>	<u>BTUH (000)</u>	<u>Voltage</u>	<u>Phase</u>
EUHC-3	3	10,236	208	1
EUHC-5	5	17,060	208	1
EUHC-7	7.5	25,590	208	1



REZNOR GAS FIRED HEATERS

MODEL UDXC GAS FIRED UNIT HEATER

<u>MODEL</u>	<u>KW</u>	<u>BTUH (000)</u>	<u>Voltage</u>	<u>Phase</u>	<u>Thermal Efficiency</u>
UDXC-75	22	75,000	120V	1	83%
UDXC-125	35.2	120,000	120V	1	83%
UDXC-150	44	150,000	120V	1	83%
UDXC-175	51.3	175,000	120V	1	83%
UDXC-200	58.6	200,000	120V	1	83%
UDXC-250	73.3	250,000	120V	1	83%
UDXC-300	87.9	300,000	120V	1	83%



GAS FIRED UNIT HEATER ACCESSORIES

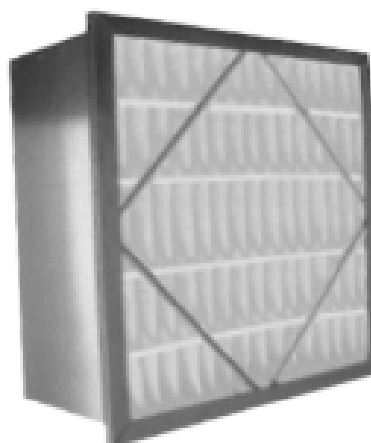
<u>MODEL</u>	<u>DESCRIPTION</u>
RZ1043105R	Separated Combustion Kit (30-125 BTU)
RZ1043106	Separated Combustion Kit (150-400 BTU)
RZ1043185	Propane Conversion Kit (60-75 BTU)
RZ1043186	Propane Conversion Kit (100-125 BTU)
RZ1043187	Propane Conversion Kit (150-175 BTU)
RZ1043188	Propane Conversion Kit (200-250 BTU)
RZ1043189	Propane Conversion Kit (300-400 BTU)
RZ205892	Vertical Vent Kit CC2 (30-125 BTU)
RZ205896	Vertical Vent Kit CC2 (150-400 BTU)
RZ211762	Horizontal Vent Kit CC6 (30-125 BTU)
RZ211763	Horizontal Vent Kit CC6 (150-400 BTU)
RZ111848	Vent Cap CC1 (30-125 BTU)
RZ111849	Vent Cap CC1 (150-250 BTU)
RZ111850	Vent Cap CC1 (300-400 BTU)
RZ197151	230-460v to 115v stepdown transformer (45-100 BTU)
RZ197152	230-460v to 115v stepdown transformer (125-200 BTU)
RZ197153	230-460v to 115v stepdown transformer (225-250 BTU)
RZ197154	230-460v to 115v stepdown transformer (300-400 BTU)

AIR FILTRATION

PLEATED PREFILTERS

- Pleated design increases dust holding capacity
- Extended replacement intervals
- Increases service life of secondary filters

<u>ITEM</u>	<u>Nominal Size</u>	<u>Actual Size</u>	<u>Filters Per Case</u>
AFP95H-12X24X12	12x24x12	11 3/8 x 23 3/8 x 11 1/2	2
AFP-12X24X2	12x24x2	11 1/2 x 23 1/2 x 1 3/4	12
AFP-12X24X4	12x24x4	11 1/2 x 23 1/2 x 3 3/4	12
AFP-14X14X1	14x14x1	13 1/2 x 13 1/2 x 3/4	12
AFP-14X20X1	14x20x1	13 1/2 x 19 1/2 x 3/4	12
AFP-16X20X1	16x20x1	15 1/2 x 19 1/2 x 3/4	12
AFP-16X20X2	16x20x2	15 1/2 x 19 1/2 x 1 3/4	12
AFP-16X25X2	16x25x2	16 1/2 x 24 1/2 x 1 3/4	12
AFP-20X20X1	20x20x1	19 1/2 x 19 1/2 x 3/4	12
AFP-20X20X2	20x20x2	19 1/2 x 19 1/2 x 1 3/4	12
AFP-20X25X1	20x25x1	19 1/2 x 24 1/2 x 3/4	12
AFP-20X25X2	20x25x2	19 1/2 x 24 1/2 x 1 3/4	12
AFP-24X24X2	24x24x2	23 1/2 x 23 1/2 x 1 3/4	12
AFP-24X24X4	24x24x4	23 1/2 x 23 1/2 x 3 3/4	12
AFP95H-24X24X12	24x24x12	23 3/8 x 23 3/8 x 11 1/2	1



FILTERS

<u>ITEM</u>	<u>DESCRIPTION</u>
MH10x20x1	10x20x1 Pleated Filter Merv 11
MH11x9x1	11x9x1 Pleated Filter Merv 11
MH12x12x1	12x12x1 Pleated Filter Merv 11
MH12x20x1	12x20x1 Pleated Filter Merv 11
MH12x24x1	12x24x1 Pleated Filter Merv 11
MH12x24x2	12x24x2 Pleated Filter Merv 11
MH14x12x1	14x12x1 Pleated Filter Merv 11
MH14x14x1	14x14x1 Pleated Filter Merv 11
MH14x20x1	14x20x1 Pleated Filter Merv 11
MH14x25x1	14x25x1 Pleated Filter Merv 11
MH14x30x1	14x30x1 Pleated Filter Merv 11
MH16x20x1	16x20x1 Pleated Filter Merv 11
MH16x20x2	16x20x2 Pleated Filter Merv 11
MH16x25x2	16x25x2 Pleated Filter Merv 11
MH20x20x1	20x20x1 Pleated Filter Merv 11
MH20x24x1	20x25x1 Pleated Filter Merv 11
MH20x25x1	20x24x1 Pleated Filter Merv 11
MH20x30x1	20x30x1 Pleated Filter Merv 11
MH20x25x2	20x20x2 Pleated Filter Merv 11
MH20x20x2	20x25x2 Pleated Filter Merv 11
MH24x24x2	24x24x1 Pleated Filter Merv 11
MH24x24x1	24x24x2 Pleated Filter Merv 11



HVAC EQUIPMENT
& ACCESSORIES

PTACS /
DEHUMIDIFIERS /
DRIVES / STARTERS

PARTS

FANS &
ACCESSORIES

ROOF CURBS /
RAILS / PIPE
PORTALS

COMMERCIAL AIR
DISTRIBUTION

RESIDENTIAL AIR
DISTRIBUTION

LOUVERS /
BRICK VENTS

HEATERS / IAQ
& FILTRATION

DUCTWORK

SUPPLIES /
TOOLS

FILTER FRAMES AND FASTENERS

- Universal holding frame accommodates wide range of filter sizes and types
- Variety of fasteners enables use with 1", 2", and 4" panel filters
- Galvanized construction
- Also accepts 6" and 12" deep cartridge filters

ITEM	Upstream or Downstream	Fastener Used to Secure	Qty. Required per Filter
FPPC611	UP OR DOWN	1" or 2" deep filter	4
FPPWF611	UP OR DOWN	4" deep filter	4
FPPFC-2	UP	2" deep 30% as a prefilter to a cartridge (no header)	4
FPPFC-4	UP	4" deep 30% as a prefilter to a cartridge (no header)	4
FPPCA-2	UP OR DOWN	2" deep filter	4
FPPCA-3	UP OR DOWN	2" deep 30% as a prefilter to a cartridge	4
FPPCA-4	UP OR DOWN	4" deep filter	4
FPPCA-5	UP OR DOWN	4" deep 30% as a prefilter to a cartridge	4
FPI2611	UP OR DOWN	12" cartridge without prefilter	4



ITEM	FRAME SIZE
FPPPF1224	12x24
FPPPF12424	24x24

FILTER MEDIA ROLLS

ITEM	NOMINAL SIZE	DESCRIPTION
FTFILTER-ROLL	24 X 90 X 3/4	Merv 7 Filter Media Roll
FTFILTER-ROLL-3	36 X 90 X 3/4	Merv 7 Filter Media Roll
FTFILTER-ROLL-5	60 X 90 X 1	Merv 8 Filter Media Roll



SIDE ACCESS FILTER HOUSINGS

- Constructed of durable 16 ga. galvanized construction for indoor or outdoor installation
- Pressure capability up to 3" WG positive or negative
- Access doors on both sides of housing for filter changeout from either side
- Fully gasketed doors and tracks
- Housing can accommodate both 6" cartridge filters (not stocked) and 12" cartridge filters (stocked)
- Filters slide into tracks. No need for holding frames or fasteners.



ITEM	ACTUAL ISZE	Prefilters Required Per Unit	Cartridge Filters Required Per Unit
CFGP MT25 1Hx1W	23 3/8" x 27 1/4"	(1) - 24x24x2	(1) - 24x24x12
CFGP MT25 1Hx2W	46 3/4" x 27 1/4"	(2) 24x24x2	(2) - 24x24x12

FLEXIBLE DUCT

FLEX DUCT R-6 INSULATED

- Class 1 Flexible Air Duct, 5,000 FPM Velocity.
- JPL Positive Pressure 6" W.G. (4"-12"), 4" W.G. (14"-20").
- JPL Negative Pressure 1" W.G. (4"-10") 1/2" W.G. (12"-20").
- QF Positive Pressure 10" W.G. Negative Pressure 1/2" W.G.

	JPL Box**	JPL Bag*	QF Bag*
4"X25' R-6	JPMHP25R6-4	JPMHP25R6B-4	QFRS6-4
6"X25' R-6	JPMHP25R6-6	JPMHP25R6B-6	QFRS6-6
8"X25' R-6	JPMHP25R6-8	JPMHP25R6B-8	QFRS6-8
10"X25' R-6	JPMHP25R6-10	JPMHP25R6B-10	QFRS6-10
12"X25' R-6	JPMHP25R6-12	JPMHP25R6B-12	QFRS6-12
14"X25' R-6	JPMHP25R6-14	JPMHP25R6B-14	QFRS6-14
16"X25' R-6	JPMHP25R6-16	JPMHP25R6B-16	QFRS6-16
18"X25' R-6	JPMHP25R6-18	JPMHP25R6B-18	QFRS6-18
20"X25' R-6	JPMHP25R6-20	JPMHP25R6B-20	QFRS6-20



JP Lamborn

FLEX DUCT R-8 INSULATED

- Class 1 Flexible Air Duct, 5,000 FPM Velocity.
- JPL Positive Pressure 6" W.G. Negative Pressure 1" W.G.
- QF Positive Pressure 10" W.G. Negative Pressure 1/2" W.G.

	JPL Box **	QF Bag*
4"X25' R-8	JPMHP25R8B-4 *Bag*	QFRS8-4
5"X25' R-8	-	QFRS8-5
7"X25' R-8	-	QFRS8-7
6"X25' R-8	JPMHP25R8-6 *GO Only*	QFRS8-6
8"X25' R-8	JPMHP25R8-8 *GO Only*	QFRS8-8
10"X25' R-8	JPMHP25R8-10 *GO Only*	QFRS8-10
12"X25' R-8	JPMHP25R8-12 *GO Only*	QFRS8-12
14"X25' R-8	JPMHP25R8-14 *GO Only*	QFRS8-14
16"X25' R-8	JPMHP25R8-16 *GO Only*	QFRS8-16



Quietflex

TYPE 3NI - HIGH PRESSURE - UNINSULATED

An uninsulated flexible duct suitable for high pressure systems. Type 3NI is constructed of a coated fiberglass fabric mechanically interlocked by a corrosion resistant galvanized steel spiral helix on the outside of the fabric. Working pressure: +20" w.g.

6"X25'	FM3NI-6
8"X25'	FM3NI-8
10"X25'	FM3NI-10
12"X25'	FM3NI-12
14"X25'	FM3NI-14



UNINSULATED FLEX DUCT & VENT HOODS

BBWMF621-4	Wire Helix Multi-Ply Foil Duct 4"x50' UL181 Class 1 Air Connector
BBGRV824-4	Black Roof Vent Hood w/ Flapper & Screen
BBPWM620-4W	Wide Mouth Hood Wall Vent 4" White
BBPWM620-4B	Wide Mouth Hood Wall Vent 4" Brown



SNAPLOCK PIPE

SNAPLOCK PIPE 26 GAUGE

<u>SIZE</u>	<u>SOUTHWARK</u>	<u>ELGEN</u>
4" x 5' - 26 GA	SWSL60426	EGP-4
6" x 5' - 26 GA	SWSL60626	EGP-6
8" x 5' - 26 GA	SWSL60826	EGP-8
10" x 5' - 26 GA	SWSL601026	EGP-10
12" x 5' - 26 GA	SWSL601226	EGP-12
14" x 5' - 26 GA	SWSL601426	EGP-14
16" x 5' - 26 GA	SWSL601626	EGP-16
18" x 5' - 26 GA	~	EGP-18



SANPLOCK PIPE 30 GAUGE

<u>SIZE</u>	<u>SOUTHWARK</u>	<u>ELGEN</u>
4" x 5' - 30 GA	SWSL60430	SMP4-5-30
6" x 5' - 30 GA	SWSL60630	SMP6-5-30
8" x 5' - 30 GA	SWSL60830	SMP8-5-30
10" x 5' - 30 GA	SWSL601030	SMP10-5-30
12" x 5' - 30 GA	SWSL601230	SMP12-5-30

ADJUSTABLE ELBOWS

<u>SIZE</u>	<u>SOUTHWARK</u>	<u>ELGEN</u>
4" Adjustable Elbow	SW90426	EG-4-90
6" Adjustable Elbow	SW90626	EG-6-90
8" Adjustable Elbow	SW90826	EG-8-90
10" Adjustable Elbow	SW901026	EG-10-90
12" Adjustable Elbow	SW901226	EG-12-90
14" Adjustable Elbow	SW901426	EG-14-90
16" Adjustable Elbow	SW901626	EG-16-90
18" Adjustable Elbow	SW901826	EG-18-90
20" Adjustable Elbow	~	EG-20-90



SNAPLOCK PIPE

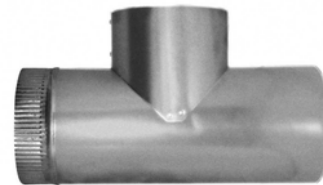
END CAPS

	SOUTHWARK	ELGEN
4" End Caps	SW1294	~
6" End Caps	SW1296	EG-6-Cap
8" End Caps	SW1298	EG-8-Cap
10" End Caps	SW12910	EG-10-Cap
12" End Caps	SW12912	EG-12-Cap
14" End Caps	SW12914	EG-14-Cap
16" End Caps	SW12916	EG-16-Cap



TEES

	SOUTHWARK
4" 26GA TEE	SWT264
6" 26GA TEE	SWT266
8" 26GA TEE	SWT268
10" 26GA TEE	SWT2610
12" 26GA TEE	SWT2612
14" 26GA TEE	SWT2614



WYES

	SOUTHWARK
4" 28GA WYE	SWY154
6" 28GA WYE	SWY156
8" 28GA WYE	SWY158
10" 28GA WYE	SWY1510
12" 28GA WYE	SWY1512
14" 28GA WYE	SWY1514



STORM COLLAR & SHANTY CAP

	Southwark
6" Storm Collar	SW1426
8" Storm Collar	SW1428
6" Shanty Cap	SW996
8" Shanty Cap	SW998



SHEET METAL TAKEOFFS

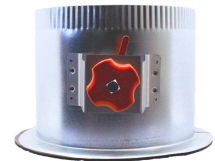
TAKEOFFS - PRESS ON COLLARS

	<u>Flat ATD w/Damper</u>	<u>Flat w/Damper</u>	<u>w/Damper</u>	<u>w/Damper & Extractor</u>
4" Airtite	SWATD4	-	SWATSD4	-
6" Airtite	SWATD6	EG-6-FLAT	SWATSD6	FMFLDE-SOG-6
8" Airtite	SWATD8	EG-8-FLAT	SWATSD8	FMFLDE-SOG-8
10" Airtite	SWATD10	EG-10-FLAT	SWATSD10	FMFLDE-SOG-10
12" Airtite	SWATD12	EG-12-FLAT	SWATSD12	FMFLDE-SOG-12
14" Airtite	SWATD14	EG-14-FLAT	SWATSD14	FMFLDE-SOG-14
16" Airtite	SWATD16	EG-16-FLAT	-	FMFLDE-SOG-16
18" Airtite	SWATD18	-	-	FMFLDE-SOG-18



TAKEOFFS - PRESS ON COLLARS WITH STANDOFF

	<u>w/Standoff & Damper</u>	<u>w/Standoff & Damper</u>	<u>w/Standoff & Damper</u>
6" Airtite	FMFLD-BO3-SOG-6	EG-6-FLAT-SO	EG-6-Flat-H
8" Airtite	FMFLD-BO3-SOG-8	EG-8-FLAT-SO	EG-8-Flat-H
10" Airtite	FMFLD-BO3-SOG-10	EG-10-FLAT-SO	EG-10-Flat-H
12" Airtite	FMFLD-BO3-SOG-12	EG-12-FLAT-SO	EG-12-Flat-H
14" Airtite	FMFLD-BO3-SOG-14	EG-14-FLAT-SO	EG-14-Flat-H
16" Airtite	FMFLD-BO3-SOG-16	EG-16-FLAT-SO	-
18" Airtite	FMFLD-BO3-SOG-18	-	-



FLAT-SO



BO3-SOG &
FLAT-H

RECTANGULAR TO ROUND TAKEOFFS

	<u>w/Damper Standoff</u>	<u>w/Damper Standoff</u>
6" HETO	EG-6-STOD	EG-6-STOD-H
8" HETO	EG-8-STOD	EG-8-STOD-H
10" HETO	EG-10-STOD	EG-10-STOD-H
12" HETO	EG-12-STOD	EG-12-STOD-H
14" HETO	EG-14-STOD	EG-14-STOD-H
16" HETO	EG-16-STOD	-



STOD



STOD-H

*STOD - Side Takeoff w/Damper
*HETO - High Efficiency Takeoff

SHEET METAL TAKEOFFS

TAB COLLARS

	<u>Tab Collar No Damper</u>	<u>Tab Collar w/Damper</u>	<u>A Collar w/Damper</u>
4"	-	-	SW120D4
6"	EG-6-TabCollar	EG-6-Tab Collar WD	SW120D6
8"	EG-8-TabCollar	EG-8-Tab Collar WD	SW120D8
10"	EG-10-TabCollar	EG-10 Tab Collar WD	SW120D10
12"	EG-12-TabCollar	EG-12 Tab Collar WD	SW120D12
14"	-	EG-14 Tab Collar WD	SW120D14
16"	-	-	SW120D16



ROUND PIPE TAKEOFFS WITH DAMPERS

<u>Diameter</u>	<u>Round w/Damper</u>	<u>Round w/Damper</u>
4"	-	SWATRPWD4
6"	EG-6-RAT	SWATRPWD6
8"	EG-8-RAT	SWATRPWD8
10"	EG-10-RAT	SWATRPWD10
12"	EG-12-RAT	SWATRPWD12
14"	EG-14-RAT	SWATRPWD14
16"	EG-16-RAT	-



ROUND PIPE TAKEOFFS WITH DAMPERS AND STANDOFFS

<u>Diameter</u>	<u>Round wDamper & Standoff</u>	<u>Round wDamper & Standoff</u>	<u>Round wDamper & Standoff</u>
6"	EG-6-RAT-SO	SWATDRPS26	EG-6-Rat-H
8"	EG-8-RAT-SO	SWATDRPS28	EG-8-Rat-H
10"	EG-10-RAT-SO	SWATDRPS210	EG-10-Rat-H
12"	EG-12-RAT-SO	SWATDRPS212	EG-12-Rat-H
14"	EG-14-RAT-SO	SWATDRPS214	EG-14-Rat-H
16"	EG-16-Rat-SO	-	-



SWATDRPS & RAT-H



RAT-SO

SPIRAL DUCT, FITTINGS & REDUCERS**SPIRAL PIPE******SOLD IN 10 FT SECTIONS****

ITEM	Dia. In.	Wt. Each (lbs.)	Ga.
ESSP3	3	8.1	26
ESSP4	4	10.8	26
ESSP6	6	16.2	26
ESSP8	8	21.6	26
ESSP10	10	27.0	26
ESSP12	12	32.4	26
ESSP14	14	37.8	26
ESSP16	16	43.2	26
ESSP18	18	48.6	26
ESSP20	20	54.0	26
ESSP22	22	59.4	26
ESSP24	24	64.8	26

**3-12in.****14-24in.****90 DEGREE ELBOWS**

ITEM	Dia. In.	Wt. Each (lbs.)	Ga.
ESPE90T3	3	1.1	26
ESPE90T4	4	1.7	26
ESPE90T6	6	3.4	26
ESPE90T8	8	5.5	26
ESPE90T10	10	8.2	26
ESPE90T12	12	11.1	26
ESE90T14	14	12.0	26
ESE90T16	16	15.3	26
ESE90T18	18	19.1	26
ESE90T20	20	29.7	24
ESE90T22	22	42.9	24
ESE90T24	24	50.0	24

SPIRAL DUCT, FITTINGS & REDUCERS



PIPE COUPLING

ITEM	Dia. In.	Wt. Each (lbs.)	Ga.
ESPCPT3	3	0.3	26
ESPCPT4	4	0.4	26
ESPCPT6	6	0.5	26
ESPCPT8	8	0.7	26
ESPCPT10	10	0.9	26
ESPCPT12	12	1.1	26
ESPCPT14	14	1.3	26
ESPCPT16	16	1.4	26
ESPCPT18	18	1.6	26
ESPCPT20	20	2.3	24
ESPCPT22	22	2.5	24
ESPCPT24	24	2.7	24



45 DEGREE ELBOWS

ITEM	Dia. In.	Wt. Each (lbs.)	Ga.
ESPE45T3	3	0.6	26
ESPE45T4	4	1.0	26
ESPE45T6	6	1.8	26
ESPE45T8	8	3.0	26
ESPE45T10	10	4.4	26
ESPE45T12	12	6.0	26
ESE45T14	14	6.6	26
ESE45T16	16	8.4	26
ESE45T18	18	10.3	26
ESE45T20	20	16.0	24
ESE45T22	22	19.0	24
ESE45T24	24	22.3	24



SPIRAL DUCT, FITTINGS & REDUCERS**FITTING COUPLING**

ITEM	Dia. In.	Wt. Each (lbs.)	Ga.
ESFCPT3	3	0.3	26
ESFCPT4	4	0.4	26
ESFCPT6	6	0.5	26
ESFCPT8	8	0.7	26
ESFCPT10	10	0.9	26
ESFCPT12	12	1.1	26
ESFCPT14	14	1.3	26
ESFCPT16	16	1.4	26
ESFCPT18	18	1.6	26
ESFCPT20	20	2.3	24
ESFCPT22	22	2.5	24
ESFCPT24	24	2.7	24

**END CAPS**

ITEM	Dia. In.	Wt. Each (lbs.)	Ga.
ESEC3	3	0.3	26
ESPECT4	4	0.4	26
ESPECT6	6	0.7	26
ESPECT8	8	1.0	26
ESPECT10	10	1.4	26
ESPECT12	12	1.8	26
ESECT14	14	2.6	26
ESECT16	16	3.1	26
ESECT18	18	3.7	26
ESECT20	20	5.5	24
ESECT22	22	6.4	24
ESECT24	24	7.3	24



SPIRAL DUCT, FITTINGS & REDUCERS



TEE

<u>ITEM</u>	<u>Dia. In.</u>	<u>Wt. Each (lbs.)</u>	<u>Ga.</u>
ESTT3	3x3x3	1.4	26
ESTT4	4x4x4	2.0	26
ESTT6	6x6x6	3.2	26
ESTT8	8x8x8	4.5	26
ESTT10	10x10x10	6.0	26
ESTT12	12x12x12	7.8	26
ESTT14	14x14x14	9.6	26
ESTT16	16x16x16	11.7	26
ESTT18	18x18x18	13.9	26
ESTT20	20x20x20	20.8	24
ESTT22	22x22x22	24.1	24
ESTT24	24x24x24	27.6	24



BELLMOUTH

<u>ITEM</u>	<u>Dia. In.</u>	<u>Wt. Each (lbs.)</u>	<u>Ga.</u>
ESPBT4	4	0.4	26
ESPBT6	6	0.6	26
ESPBT8	8	0.8	26
ESPBT10	10	1.1	26
ESPBT12	12	1.3	26
ESPBT14	14	2.6	26
ESPBT16	16	2.9	26
ESPBT18	18	3.3	26
ESPBT20	20	3.5	24
ESPBT22	22	3.9	24
ESPBT24	24	4.2	24



SADDLE TAPS & REDUCERS



PRESSED SADDLE TAP

ITEM	Tap Dia. In.	Duct Dia. In.	Wt. Each (lbs.)	Ga.
ESPFTCT44	4	4	0.4	26
ESPFTCT46	4	6	0.4	26
ESPFTCT48	4	8	0.4	26
ESPFTCT410	4	10	0.5	26
ESPFTCT412	4	12	0.5	26
ESPFTCT66	6	6	0.8	26
ESPFTCT68	6	8	0.8	26
ESPFTCT610	6	10	0.8	26
ESPFTCT612	6	12	0.8	26
ESPFTCT614	6	14	0.8	26
ESPFTCT616	6	16	0.8	26
ESPFTCT88	8	8	1.2	26
ESPFTCT810	8	10	1.2	26
ESPFTCT812	8	12	1.2	26
ESPFTCT814	8	14	1.2	26
ESPFTCT816	8	16	1.2	26
ESPFTCT818	8	18	1.2	26
ESPFTCT820	8	20	1.2	24
ESPFTCT822	8	22	1.2	24
ESPFTCT824	8	24	2.1	24
ESPFTCT1010	10	10	2.1	26
ESPFTCT1012	10	12	2.1	26
ESPFTCT1014	10	14	2.1	26
ESPFTCT1016	10	16	2.1	26
ESPFTCT1018	10	18	2.1	26
ESPFTCT1020	10	20	2.1	24
ESPFTCT1022	10	22	2.1	24
ESPFTCT1024	10	24	2.1	24
ESPFTCT1212	12	12	2.7	26
ESPFTCT1214	12	14	2.7	26
ESPFTCT1216	12	16	2.7	26
ESPFTCT1218	12	18	2.7	26
ESPFTCT1220	12	20	2.7	24
ESPFTCT1222	12	22	2.7	24
ESPFTCT1224	12	24	2.7	24



REDUCER

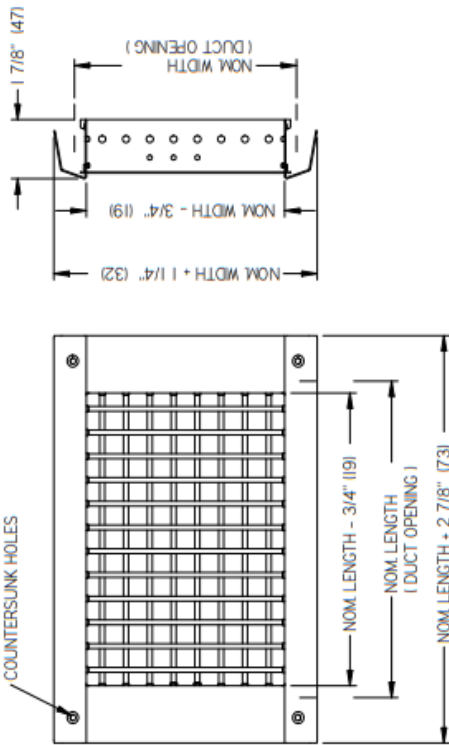
ITEM	Dia. In.	Wt. Each (lbs.)	Ga.
ESPRDT43	4x3	0.4	26
ESPRDT64	6x4	0.9	26
ESPRDT86	8x6	1.4	26
ESPRDT106	10x6	2.0	26
ESPRDT108	10x8	1.8	26
ESPRDT128	12x8	2.5	26
ESPRDT1210	12x10	2.2	26
ESRDT148	14x8	4.9	26
ESRDT1410	14x10	4.7	26
ESRDT1412	14x12	4.9	26
ESRDT1610	16x10	5.7	26
ESRDT1612	16x12	5.4	26
ESRDT1614	16x14	5.7	26
ESRDT1812	18x12	6.5	26
ESRDT1814	18x14	6.1	26
ESRDT1816	18x16	6.4	26
ESRDT2014	20x14	9.4	24
ESRDT2016	20x16	8.7	24
ESRDT2018	20x18	9.2	24
ESRDT2216	22x16	10.4	24
ESRDT2218	22x18	9.7	24
ESRDT2220	22x20	10.1	24
ESRDT2418	24x18	11.5	24
ESRDT2420	24x20	10.7	24
ESRDT2422	24x22	10.9	26

SPIRAL DUCT, FITTINGS & REDUCERS



MODEL SDG SPIRAL GRILLE

- Surface mount
- Galvanized steel (mill finish)
- Integral gasket seals grille tightly to duct
- Built in extractor to allow accurate balancing



ITEM	Min/Max Pipe Size	Nominal CFM
PISDG-10X4	8/24	250
PISDG-10X6	14/24	350
PISDG-12X4	8/24	300
PISDG-14X6	14/24	450
PISDG-16X4	8/24	350
PISDG-16X6	14/24	500
PISDG-18X6	14/24	550
PISDG-18X8	20/24	800
PISDG-20X4	8/24	450
PISDG-20X6	14/24	600
PISDG-20X8	20/24	850
PISDG-24X4	8/24	550
PISDG-24X6	14/24	700
PISDG-24X8	20/24	900

SPIRAL DAMPER

ITEM	Dia. In.	Wt. Each (lbs.)	Ga.
ESDT6	6	2.1	22
ESDT8	8	2.5	22
ESDT10	10	2.9	22
ESDT12	12	3.4	22
ESDT14	14	3.8	22



SPIRAL DUCT, FITTINGS & REDUCERS



SADDLE TAP

ITEM	Tap Dia. In.	Duct Dia. In.	Wt. Each (lbs.)	Ga.
ESFTCT1414	14	14	11.5	26
ESFTCT1416	14	16	12.7	26
ESFTCT1418	14	18	13.9	26
ESFTCT1420	14	20	19.3	24
ESFTCT1422	14	22	20.8	24
ESFTCT1424	14	24	22.4	24
ESFTCT1616	16	16	13.8	26
ESFTCT1618	16	18	15.1	26
ESFTCT1620	16	20	20.9	24
ESFTCT1622	16	22	22.5	24
ESFTCT1624	16	24	24.2	24
ESFTCT1818	18	18	16.2	26
ESFTCT1820	18	20	22.5	24
ESFTCT1822	18	22	24.3	24
ESFTCT1824	18	24	26.0	24



Y-BRANCH

ITEM	Dia. In.	Wt. Each (lbs.)	Ga.
ESYT3	3	1.6	26
ESYT4	4	2.4	26
ESYT6	6	4.4	26
ESYT8	8	6.8	26
ESYT10	10	9.8	26
ESYT12	12	13.3	26
ESYT14	14	17.4	26
ESYT16	16	22.0	26
ESYT18	18	27.1	26
ESYT20	20	41.7	24
ESYT22	22	49.5	24
ESYT24	24	58.0	24



AMERIVENT TYPE B GAS VENT

B-vent only works with Amerivent

ITEM	DESCRIPTION
AV-4-6	4" x 6" B Vent Pipe
AV-4-12	4" x 12" B Vent Pipe
AV-4-18	4" x 18" B Vent Pipe
AV-4-24	4" x 24" B Vent Pipe
AV-4-36	4" x 36" B Vent Pipe
AV-4-48	4" x 48" B Vent Pipe
AV-4-60	4" x 60" B Vent Pipe
AV-4-12 Adj Lgth	4" x 12" B Vent Adjustable Length Pipe
AV-4-45	4" B Vent 45 Deg Adjustable Elbow
AV-4-Std. Flash	4" B Vent Standard Flashing
AV-4-Pitch Flash	4" B Vent Pitch Flashing (6/12-12/12)
AV-4-TallCone	4" B Vent Tall Cone Flashing
AV-4-Cap	4" B Vent Cap
AV-4-TeeCap	4" B Vent Tee Cap
AV-4-Tee	4" B Vent Tee Branch
AV-4-SBracket	4" B Vent Support Bracket
AV-4-DHC	4" B Vent Draft Hood Connect
AV-4-LOffset	4" B Vent Adjustable "L" Offset
AV-4-SPlate	4" B Vent Support Plate
AV-4-SCollar	4" B Vent Storm Collar
AV-4-FHA Flash	4" B Vent FHA Flashing
AV-4-Fem Adap	4" B Vent Female Adapter
AV-4-Male Adap	4" B Vent Male Adapter
AV-4-Bucket	4" B Vent Bucket Support Only

ITEM	DESCRIPTION
AV-5-6	5" x 6" B Vent Pipe
AV-5-12	5" x 12" B Vent Pipe
AV-5-18	5" x 18" B Vent Pipe
AV-5-24	5" x 24" B Vent Pipe
AV-5-36	5" x 36" B Vent Pipe
AV-5-48	5" x 48" B Vent Pipe
AV-5-60	5" x 60" B Vent Pipe
AV-5-12 Adj Lgth	5" x 12" B Vent Adjustable Length Pipe
AV-5-45	5" B Vent 45 Deg Adjustable Elbow
AV-5-Std. Flash	5" B Vent Standard Flashing
AV-5-Pitch Flash	5" B Vent Pitch Flashing (6/12-12/12)
AV-5-TallCone	5" B Vent Tall Cone Flashing
AV-5-DHC	5" B Vent Draft Hood Connect
AV-5-Cap	5" B Vent Cap
AV-5-TeeCap	5" B Vent Tee Cap
AV-5-Tee	5" B Vent Tee Branch
AV-5-SBracket	5" B Vent Support Bracket
AV-5-LOffset	5" B Vent Adjustable "L" Offset
AV-5-SPlate	5" B Vent Support Plate
AV-5-SCollar	5" B Vent Storm Collar
AV-5-FHA Flash	5" B Vent FHA Flashing
AV-5-Fem Adap	5" B Vent Female Adapter
AV-5-Male Adap	5" B Vent Male Adapter
AV-5-Bucket	5" B Vent Bucket Support Only



AMERIVENT TYPE B GAS VENT

B-vent only works with Amerivent

ITEM	DESCRIPTION
AV-6-6	6" x 6" B Vent Pipe
AV-6-12	6" x 12" B Vent Pipe
AV-6-18	6" x 18" B Vent Pipe
AV-6-24	6" x 24" B Vent Pipe
AV-6-36	6" x 36" B Vent Pipe
AV-6-48	6" x 48" B Vent Pipe
AV-6-60	6" x 60" B Vent Pipe
AV-6-12 Adj Lgth	6" x 12" B Vent Adjustable Length Pipe
AV-6-45	6" 45 B Vent Deg Adjustable Elbow
AV-6-Std Flash	6" B Vent Standard Flashing
AV-6-Pitch Flash	6" B Vent Pitch Flashing
AV-6-TallCone	6" B Vent Tall Cone Flashing
AV-6-Cap	6" B Vent Cap
AV-6-TeeCap	6" B Vent Tee Cap
AV-6-Tee	6" B Vent Tee Branch
AV-6-VPH	6" B Vent Pipe Hanger
AV-6x8 Inc.	6x8 B Vent Increaser
AV-6-DHC	6" B Vent Draft Hood Connect
AV-6-Loffset	6" B Vent Adj "L" Offset
AV-6-SCollar	6" B Vent Storm Collar
AV-6-SPlate	6" B Vent Support Plate

ITEM	DESCRIPTION
AV-8-6	8" x 6" B Vent Pipe
AV-8-12	8" x 12" B Vent Pipe
AV-8-18	8" x 18" B Vent Pipe
AV-8-24	8" x 24" B Vent Pipe
AV-8-36	8" x 36" B Vent Pipe
AV-8-60	8" x 60" B Vent Pipe
AV-8-12 Adj Lgth	8" x 12" B Vent Adjustable Length
AV-8-45	8" 45 B Vent Deg Adjustable Elbow
AV-8-Std. Flash	8" B Vent Standard Flashing
AV-8-Pitch Flash	8" B Vent Pitch Flashing
AV-8-TallCone	8" B Vent Tall Cone Flashing
AV-8-Cap	8" B Vent Cap
AV-8-TeeCap	8" B Vent Tee Cap
AV-8-Tee	8" B Vent Tee Branch
AV-8x10 Inc.	8x10 B Vent Increaser
AV-8-DHC	8" B Vent Draft Hood Connect
AV-8-LOffset	8" B Vent Adjustable "L" Offset
AV-8-SCollar	8" B Vent Storm Collar
AV-8-SBracket	8" B Vent Support Bracket
AV-8-Bucket	8" B Vent Bucket Support Only



HANGING MATERIAL & ACCESSORIES

DEWALT HANGING SYSTEMS

<u>ITEM</u>	<u>DESCRIPTION</u>	<u>PKG. QTY</u>
DTWToughlock02	TOUGHLOCK™ DW2 Wire Locking Device	50
DTWToughlock03	TOUGHLOCK™ DW3 Wire Locking Device	25
DTWSQLock02	SQUARELOCK™ DW2 Wire Locking Device	50
DTWSQLock03	SQUARELOCK™ DW3 Wire Locking Device	20
DTW0212LE	2 x 12 FT. Loop End Wire Attachment 125 lbs. safe working load	25
DTW0220LE	2 x 20 FT. Loop End Wire Attachment 125 lbs. safe working load	25
DTW0235LE	2 x 35 FT. Loop End Wire Attachment 125 lbs. safe working load	25
DTW0312LE	3 x 12 FT. Loop End Wire Attachment ~300 lbs. safe working load	25
DTW0320LE	3 x 20 FT. Loop End Wire Attachment ~300 lbs. safe working load	10
DTW0335LE	3 x 35 FT. Loop End Wire Attachment ~300 lbs. safe working load	15
DTWHandcutter	Hand Cutter	1



HANGING MATERIAL & ACCESSORIES

UNISTRUT & THREADED ROD

ITEM	DESCRIPTION
EG-3/8Rod	3/8" Threaded Rod
EG-1-5/8STRT	1-5/8" Unistrut
WRCR6505642	1 5/8 X 1 5/8 20FT 14G Slotted Strut
WRCR6505322	1 5/8 - 13/16 10FT 14G Slotted Strut
WRCR6505342	1 5/8 x 1 5/8 10FT 14G Slotted Strut



STRUT & ROD ACCESSORIES

ITEM	DESCRIPTION	ITEM	DESCRIPTION
DI18016	Beam Clamp	DI538-1/4	Cushion Clamp 1/4 in
EG-Bolt-100	3/8"x1" Carriage Bolt (100 Pack)	DI538-3/8	Cushion Clamp 3/8 in
EG-HEX-100	3/8" Hex Nuts (100 Pack)	DI538-1/2	Cushion Clamp 1/2 in
EG-3/8 WSHR	3/8" Flat Washer (100 Pack)	DI538-5/8	Cushion Clamp 5/8 in
		DI538-3/4	Cushion Clamp 3/4 in
DI17515	Rigid Strut Clamp 3/4 in	DI538-7/8	Cushion Clamp 7/8 in
DI17516	Rigid Strut Clamp 1 in	DI538-1-1/8	Cushion Clamp 1-1/8 in
DI17518	Rigid Strut Clamp 1-1/2 in	DI538-1-3/8	Cushion Clamp 1-3/8 in
DI17519	Rigid Strut Clamp 2 in	DI538-1-5/8	Cushion Clamp 1-5/8 in
		DI538-2-1/8	Cushion Clamp 2-1/8 in
DI17532	Universal Strut Clamp 1/2 in		
DI17533	Universal Strut Clamp 3/4 in	DI17412	Channel Nut Short Sprg 1/4 in
DI17534	Universal Strut Clamp 1 in	DI17420	Channel Nut Short Sprg 3/8 in
DI17535	Universal Strut Clamp 1-1/4 in	DI17430	Channel Nut Reg Sprg 1/4 in
DI17536	Universal Strut Clamp 1-1/2 in	DI17438	Channel Nut Reg Sprg 3/8 in
DI17537	Universal Strut Clamp 2 in	DI17442	Channel Nut Reg Sprg 1/2 in



TAPE, SEALANTS, & SCREWS

TAPE

ITEM		DESCRIPTION
JPSF-686-2	UL181B-FX	Foil Tape for sealing of Class 1 Flex Duct
JPSF-686-3	UL181B-FX	Foil Tape for sealing of Class 1 Flex Duct
JPST-PC857-2	UL181B-FX	Cloth Duct Tape for Class 1 Flex Duct
JPST-PC857-3	UL181B-FX	Cloth Duct Tape for Class 1 Flex Duct
JPST-AF100A-P-2.5	UL181A-P/B-FX	Use on Fiberglass Ductboard & Flex Duct
HC557-2	UL181B-FX	2" UL 181 557 Metal Tape HC557-2
HC557-2B	UL181B-FX	2" Black Duct Tape HC557-2B
HC557-3	UL181B-FX	3" UL 181 557 Silver Tape HC557-3
HC325803	UL181B-FX	Foil Grip 1402-181 2"x100'
HC325804	UL181B-FX	Foil Grip 1402-181BFX 3"x100'
HC304099	UL723	Foil Grip 1402 2"x100'
HC304100	UL723	Foil Grip 1402 3"x100 HC304100



DURODYNE SCREWS

ITEM	DESCRIPTION
DDPPT10X1/2	14188 Pro Point Screw 10X1/2
DDPPT10X1	14191 Pro Point Screw 10X1
DDPPT10X3/4	14190 Pro Point Screw 10X3/4
DDPPT10HHX3/4	14210 High Head Pro Point Screw

INSULATION TAPE

MR 93505	Cork Tape
MR 93506	Foam Tape

DUCT SEALANT & BRUSHES

ITEM	DESCRIPTION
CLSUPERSEAL 1	UL181 Duct Sealer Gallon
DDBB2	2" Bristle Brush
DDBB3	3" Bristle Brush
HC304132	Flex Grip 550 Gallon - Fiber Free, Water-based
HC304135	Iron Grip 601 Gallon - Fiber Free, Water-based
HC304138	Versa-Grip 181 Gallon - Fiber Reinforced, Water-based
HC304141	Versa-Grip 181 11oz Tube - Fiber Reinforced, Water-based
HC304156	Duct Seal 321 Gallon - Fiber Reinforced, Water-based
HC304159	Duct Seal 321 11oz Tube - Fiber Reinforced, Water-based
EG-2"Brsh	2" Bristle Brush
EG-3"Brsh	3" Bristle Brush
DI7-100	Caulk Gun Ratchet
DDSG1	Caulk Gun

FABRICATION SHOP HARDWARE & SUPPLIES



ITEM	DESCRIPTION	Unit of Measure (UOM)
EG55DRUM	WATER BASED LINER ADHESIVE - 55GAL DRUM	Each
EG-AE77	SPRAY ON LINER ADHESIVE CAN AE77 (12 PER BOX)	Each
EGSPRAY-40	SPRAY ON LINER ADHESIVE 40# CANISTER	Each
EGDE-GALV	SUPER DE-GALV CAN (12 PER BOX)	Each
EG-AE40	LUBRICATOR CAN - AE40 (12 PER BOX)	Each
EG-AE88	SPRAY ON EDGE COATING CAN - AE88 (12 PER BOX)	Each



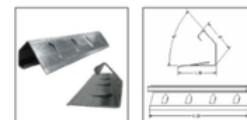
ITEM	DESCRIPTION	Unit of Measure (UOM)
EG-Bolt-1000	3/8 X 1 CARRIAGE BOLTS *BULK* (1000 PER BOX)	Box
EG-Bolt-100	3/8 X 1 CARRIAGE BOLTS (100 PER BOX/PACK)	Box

ITEM	DESCRIPTION	Unit of Measure (UOM)
EG-Hex-3000	3/8" HEX NUT *BULK* (3000 PER BOX)	Box
EG-Hex-100	3/8" HEX NUT (100 PER BOX/PACK)	Box



ITEM	DESCRIPTION	Unit of Measure (UOM)
EG-3/8 WSHR	3/8" Flat washer (100 PER PACK/BOX)	Box

ITEM	DESCRIPTION	Unit of Measure (UOM)
EG-E55CLEAT	#E55 CLEAT F/C 22GA (250 PER BOX)	Box



ITEM	DESCRIPTION	Unit of Measure (UOM)
EG-Butylplus	440 BUTYL GASKET PLUS (20 PIECES - 500FT PER BOX)	Each

ITEM	DESCRIPTION	Unit of Measure (UOM)
EG-1/2x10 CNDT	1/2" x 10ft. Conduit (100/BDL)	Each
EG-1/2Conduit	1/2" EZ-CONDUIT LOCKS (100 PER BOX)	Each
EG-3/4Conduit	3/4" EZ-CONDUIT LOCKS (100 PER BOX)	Each



FABRICATION SHOP HARDWARE & SUPPLIES



HVAC EQUIPMENT
& ACCESSORIES

PTACS /
DEHUMIDIFIERS /
DRIVES / STARTERS

PARTS

FANS &
ACCESSORIES

ROOF CURBS /
RAILS / PIPE
PORTALS

COMMERCIAL AIR
DISTRIBUTION

RESIDENTIAL AIR
DISTRIBUTION

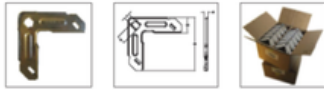
LOWERS /
BRICK VENTS

HEATERS / IAQ
& FILTRATION

DUCTWORK

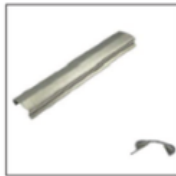
SUPPLIES /
TOOLS

ITEM	DESCRIPTION	Unit of Measure (UOM)
EG-FlangeCorner	ELGEN FLANGE CORNERS - BOLT TYPE 16GA (300 PER BOX)	BOX
EG-Jcorner	J CORNERS 12GA (250 PER BOX)	BOX



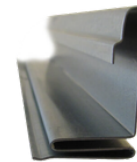
ITEM	DESCRIPTION	Unit of Measure (UOM)
EG-CCorner	STACKABLE "C" CORNERS 16GA (250 PER BOX)	Box
EG-Fcorner	STACKABLE "F" CORNERS 16GA (250 PER BOX)	Box
EG-F-W-Corner	F-W CORNER 14GA (300 PER BOX)	Box

ITEM	DESCRIPTION	Unit of Measure (UOM)
EG-J Angle	J ANGLE X 20FT *NO HOLES* (75 PIECES - 1,500FT PER BDL)	Each
EG-JAngle/holes	J ANGLE X 20FT *WITH HOLES* (75 PIECES - 1,500FT PER BDL)	Each



ITEM	DESCRIPTION	Unit of Measure (UOM)
EG-Drivecleat	1" DRIVE CLEAT 26GA X 10 FT (100FT PER BDL)	Each
EG-Drivecleat-24	1" DRIVE CLEAT 24GA (100FT PER BDL)	BDL

ITEM	DESCRIPTION	Unit of Measure (UOM)
EG-1"StandS	1" STANDING S SLIP 26GA X 10' (100FT PER BDL)	Each
EG-1"FlatS	1" FLAT S SLIP 26GA X 10' (100FT PER BDL)	Each



ITEM	DESCRIPTION	Unit of Measure (UOM)
EG-Shrink2x200	SHRINK WRAP 24" X 200FT *3MIL* BLUE - ADHESIVE IN	Each
EG-Shrink3x200	SHRINK WRAP 36" X 200FT *3MIL* BLUE - ADHESIVE IN	Each
EG-ShrinkRed	SHRINK WRAP 36" X 200FT *3MIL* RED - ADHESIVE IN	Each
EG-ShrinkPurple	SHRINK WRAP 36" X 200FT *3MIL* PURPLE - ADHESIVE IN	Each

FABRICATION SHOP HARDWARE & SUPPLIES

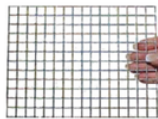
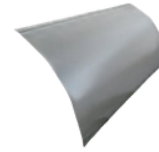


ITEM	DESCRIPTION	Unit of Measure (UOM)
EG-3x3x3Vinlon	ZLL 3X3X3 VINLON COMMERCIAL NOTCHED (100FT PER BOX)	BOX
EG4x4x4Vinlon	ZLL 4X4X4 VINLON C OR F NOTCHED (100FT PER BOX)	BOX
EG-3x3x3Neoprene	ZLN 3X3X3 NEOPRENE COMMERCIAL NOTCHED (100FT PER BOX)	BOX
EG-4x4x4Neoprene	ZLN 4X4X4 NEOPRENE C OR F NOTCHED (100FT PER BOX)	BOX
EG-3x3x3Hypalon	ZLH 3X3X3 HYPALON COMMERCIAL NOTCHED (100FT PER BOX)	BOX
EG-4x4x4Hypalon	ZLH 4X4X4 HYPALON C OR F NOTCHED (100FT PER BOX)	BOX



ITEM	DESCRIPTION	Unit of Measure (UOM)
EG-2" Rail	ELGEN "SUPER" RAIL 2" X 10FT (100 FT PER BOX)	Box
EG-4" Rail	ELGEN "SUPER" RAIL 4" X 10FT (100 FT PER BOX)	Box

ITEM	DESCRIPTION	Unit of Measure (UOM)
EG-2"Vane	2" x 10' Double Wall Turning Vane (100 FT PER BDL)	Each
EG-4"Vane	4" x 10' Double Wall Turning Vane (50 FT PER BDL)	Each



ITEM	DESCRIPTION	Unit of Measure (UOM)
EG-1/2x1/2Mesh	1/2 X 1/2 X 60" WIRE MESH 19 GA (100 FT PER ROLL)	Roll

ITEM	DESCRIPTION	Unit of Measure (UOM)
EG-3/4Weld	3/4" Elgen Super Point Weld Pins (5,000 PER BOX/BUCKET)	Box
EG-1-1/8Weld	1-1/8" Elgen Super Point Weld Pins (4,000 PER BOX/BUCKET)	Box



ITEM	DESCRIPTION	Unit of Measure (UOM)	Available
TGR-717487	1" x 44-1/4" x 100' ToughGard Duct Liner	Each	CLT, RIC, & ROA
TGR-716881	1" x 47-1/2" x 100' ToughGard Duct Liner	Each	CLT, RIC, & ROA
TGR-716884	1" x 56-1/4" x 100' ToughGard Duct Liner	Each	CLT, RIC, & ROA
TGR-716888	1" x 59 x 100' ToughGard Duct Liner	Each	CLT, RIC, & ROA
TGR-717085	1-1/2" x 59-1/4" x 70' ToughGard Duct Liner	Each	CLT, RIC, & ROA
TGR-717082	1-1/2" x 56-1/4" x 70' ToughGard Duct Liner	Each	CLT, RIC, & ROA

COPPER FITTINGS & ACCESSORIES

MUELLER ACR PRESS FITTINGS

ITEM	DESCRIPTION
MPRESSTOOL	Milwaukee Streamline Press Tool
MPRESSJAWSET	Milwaukee Streamline Jaw Set
M1/4PRESS90	1/4 ACR PRESS LR 90 ELL
M3/8PRESS90	3/8 ACR PRESS LR 90 ELL
M1/2PRESS90	1/2 ACR PRESS LR 90 ELL
M5/8PRESS90	5/8 ACR PRESS LR 90 ELL
M3/4PRESS90	3/4 ACR PRESS LR 90 ELL
M7/8PRESS90	7/8 ACR PRESS LR 90 ELL
M1-1/8PRESS90	1-1/8 ACR PRESS LR 90 ELL
M1/4PRESS45	1/4 ACR PRESS LR 45 ELL
M3/8PRESS45	3/8 ACR PRESS LR 45 ELL
M1/2PRESS45	1/2 ACR PRESS LR 45 ELL
M5/8PRESS45	5/8 ACR PRESS LR 45 ELL
M3/4PRESS45	3/4 ACR PRESS LR 45 ELL
M7/8PRESS45	7/8 ACR PRESS LR 45 ELL
M1-1/8PRESS45	1-1/8 ACR PRESS LR 45 ELL
M1/4PCOUP	1/4 ACR PRESS COUPLING
M3/8PCOUP	3/8 ACR PRESS COUPLING
M1/2PCOUP	1/2 ACR PRESS COUPLING
M5/8PCOUP	5/8 ACR PRESS COUPLING
M3/4PCOUP	3/4 ACR PRESS COUPLING
M7/8PCOUP	7/8 ACR PRESS COUPLING
M1-1/8PCOUP	1-1/8 ACR PRESS COUPLING



MUELLER COPPER FITTINGS

ITEM	DESCRIPTION
M1/4COUP	1/4 OD ROLL-STOP CPLG
M3/8COUP	3/8 OD ROLL-STOP CPLG
M1/2COUP	1/2 OD ROLL-STOP CPLG
M5/8COUP	5/8 OD ROLL-STOP CPLG
M3/4COUP	3/4 OD ROLL-STOP CPLG
M7/8COUP	7/8 OD ROLL-STOP CPLG
M1-1/8COUP	1-1/8 OD ROLL-STOP CPLG
M1/4-45	1/4 OD 45 ELL
M3/8-45	3/8 OD 45 ELL
M1/2-45	1/2 OD 45 ELL
M5/8-45	5/8 OD 45 ELL
M3/4-45	3/4 OD 45 ELL
M7/8-45	7/8 OD 45 ELL
M1-1/8-45	1-1/8 OD 45 ELL
M1/4-90	1/4 OD LR 90 ELL
M3/8-90	3/8 OD LR 90 ELL
M1/2-90	1/2 OD LR 90 ELL
M5/8-90	5/8 OD LR 90 ELL
M3/4-90	3/4 OD LR 90 ELL
M7/8-90	7/8 OD C X C LR 90 ELL
M1-1/8-90	1-1/8 OD LR 90 ELL



BRAZING RODS

ITEM	DESCRIPTION
LM-SS5	.050x1/8 5% Brazing Rod 28 Stick
LM-SS15Tube	1/8 X 20 15% Brazing Rod 1LB
LM-SS15	.050x1/8 15% Brazing Rod 7 Sticks

BRAZING SUPPLIES

ITEM	DESCRIPTION
RS83561	Hot Block - Heat Absorption Putty
MR 95536	Cool Gel Heat Spray
RS14010	Nokorode 4oz Paste Flux
RS14020	Nokorode 8oz Paste Flux

LCP/VRV ACCESSORIES

BALL VALVES

ITEM	DESCRIPTION
NBV02SBOX	NDL 1/4" Full Port w/Schrader incl. Insulation Box Kit
NBV03SBOX	NDL 3/8" Full Port w/Schrader incl. Insulation Box Kit
NBV04SBOX	NDL 1/2" Full Port w/Schrader incl. Insulation Box Kit
NBV05SBOX	NDL 5/8" Full Port w/Schrader incl. Insulation Box Kit



CONTROL WIRE

ITEM	DESCRIPTION
SW553080407	18/8 Thermostat Wire
CA18-2GRN	18/2 Unshielded Stranded Plenum Cable (Green) 1000ft.
CA18-2PRP	18/2 Unshielded Stranded Plenum Cable (Purple) 1000ft.
CA18-2BRN	18/2 Unshielded Stranded Plenum Cable (Brown) 1000ft.
SW58225703	14/4 Mini-Split Control Wire
MR 84207	Residential 18/8 T-Stat 250 UL
MR 84245	Commercial C18/6 Plenum T-Stat Wire 250' UL
MR 84479	14/4 STR THHN 50' Compact 600V



STAINLESS STEEL CLAMPS

DIAMETER	ITEM
4-5"	FMCLAMP-4-5
6"	FMCLAMP-6
8-9"	FMCLAMP-8-9
10"	FMCLAMP-10
12"	FMCLAMP-12
14"	FMCLAMP-14
16"	FMCLAMP-16
18"	FMCLAMP-18
20"	FMCLAMP-20



CLAMPS & FLEX TIES

FMNYLON-CLAMP	36" Nylon Clamp
HTT150XLL 9X2	52" Nylon Clamp
MR 86111	Black Flex Ties / Strap 14" 100 Pack
MR 86092	White Flex Ties / Straps 36" 50 PACK
DDNS300	1-3/4" X 300 FT Hanging Nova Strap 10180 - Black Woven Polypropylene



PVC PIPE

PVC CONDENSATE PIPE

ITEM	DESCRIPTION
CHP1/2x10	1/2"x10' Schedule 40 PVC Pipe
CHP3/4x10	3/4"x10' Schedule 40 PVC Pipe
CHP1x10	1"x10' Schedule 40 PVC Pipe
CHP1-1/4x10	1-1/4"x10' Schedule 40 PVC Pipe
CHP1-1/2x10	1-1/2"x10' Schedule 40 PVC Pipe
CHP2x10	2"x10' Schedule 40 PVC Pipe
CHP1/2-90	1/2" PVC 90 Elbow
CHP3/4-90	3/4" PVC 90 Elbow
CHP1-90	1" PVC 90 Elbow
CHP1-1/4-90	1-1/4" PVC 90 Elbow
CHP1-1/2-90	1-1/2" PVC 90 Elbow
CHP2-90	2" PVC 90 Elbow
CHP1/2-45	1/2" PVC 45 Elbow
CHP3/4-45	3/4" PVC 45 Elbow
CHP1-45	1" PVC 45 Elbow
CHP1-1/4-45	1-1/4" PVC 45 Elbow
CHP1-1/2-45	1-1/2" PVC 45 Elbow
CHP2-45	2" PVC 45 Elbow
CHP1/2COUP	1/2" PVC Coupling
CHP3/4COUP	3/4" PVC Coupling
CHP1COUP	1" PVC Coupling
CHP1-1/4COUP	1-1/4" PVC Coupling
CHP1-1/2COUP	1-1/2" PVC Coupling
CHP2COUP	2" PVC Coupling
CHP1/2TEE	1/2" PVC TEE
CHP3/4TEE	3/4" PVC TEE
CHP1TEE	1" PVC TEE
CHP1-1/4TEE	1-1/4" PVC TEE
CHP1-1/2TEE	1-1/2" PVC TEE
CHP2TEE	2" PVC TEE

PVC SUPPLIES

RS55914	PVC Jim Primer
RS55904	PVC Cement

ITEM	DESCRIPTION
CHP1/2CAP	1/2" PVC CAP
CHP3/4CAP	3/4" PVC CAP
CHP1CAP	1" PVC CAP
CHP1-1/4CAP	1-1/4" PVC CAP
CHP1-1/2CAP	1-1/2" PVC CAP
CHP2CAP	2" PVC CAP
CHP1/2PLUG	1/2" PVC PUG
CHP3/4PLUG	3/4" PVC PLUG
CHP1PLUG	1" PVC PLUG
CHP1-1/2PLUG	1-1/2" PVC PLUG
CHP2PLUG	2" PVC PLUG
CHP3/4PTRAP	3/4" PVC P TRAP
CHP3/4RTRAP	3/4" PVC Running Trap
CHP1/2FM	1/2" PVC FM Adaptor
CHP3/4FM	3/4" PVC FM Adaptor
CHP1FM	1" PVC FM Adaptor
CHP1-1/4FM	1-1/4" PVC FM Adaptor
CHP1-1/2FM	1-1/2" PVC FM Adaptor
CHP2FM	2" PVC FM Adaptor
CHP1/2MA	1/2" PVC ML Adaptor
CHP3/4MA	3/4" PVC ML Adaptor
CHP1MA	1" PVC ML Adaptor
CHP1-1/4MA	1-1/4" PVC ML Adaptor
CHP1-1/2MA	1-1/2" PVC ML Adaptor
CHP2MA	2" PVC ML Adaptor



PVC PIPE

PVC CONDENSATE PIPE

<u>ITEM</u>	<u>DESCRIPTION</u>
CHP1/2x3/4RT	3/4x1/2x1/2 Reducing Tee
CHP3/4x1/2RT	3/4x3/4x1/2 Reducing Tee
CHP1x1/2RT	1x1x1/2 Reducing Tee
CHP3/4x1RT	3/4x3/4x1 Reducing Tee
CHP1-1/4x1/2RT	1-1/4x1-1/4x1/2 Reducing Tee
CHP1-1/4x3/4RT	1-1/4x1-1/4x3/4 Reducing Tee
CHP1-1/4x1RT	1-1/4x1-1/4x1 Reducing Tee
CHP1-1/2x1/2RT	1-1/2x1-1/2x1/2 Reducing Tee
CHP1-1/2x3/4RT	1-1/2x1-1/2x3/4 Reducing Tee
CHP1-1/2x1RT	1-1/2x1-1/2x1 Reducing Tee
CHP2x3/4RT	2x2x3/4 Reducing Tee
CHP2x1RT	2x2x1 Reducing Tee
CHP2x1-1/4RT	2x2x1-1/4 Reducing Tee
CHP2x1-1/2RT	2x2x1-1/2 Reducing Tee
CHP3/4x1/2BUSH	3/4x1/2 Reducer Bushing
CHP1x1/2BUSH	1x1/2 Reducer Bushing
CHP1x3/4BUSH	1x3/4 Reducer Bushing
CHP1-1/4x3/4BUSH	1-1/4x3/4 Reducer Bushing
CHP1-1/4x1BUSH	1-1/4x1 Reducer Bushing
CHP1-1/2x1/2BUSH	1-1/2x1/2 Reducer Bushing
CHP1-1/2x1-3/4BUSH	1-1/2x1-3/4 Reducer Bushing
CHP1-1/2x1BUSH	1-1/2x1 Reducer Bushing
CHP1-1/2x1-1/4BUSH	1-1/2x1-1/4 Reducer Bushing
CHP2x3/4BUSH	2x3/4 Reducer Bushing
CHP2x1BUSH	2x1 Reducer Bushing
CHP2x1-1/4BUSH	2x1-1/4 Reducer Bushing
CHP2x1-1/2BUSH	2x1-1/2 Reducer Bushing
CHP3/4x1/2RD	3/4x1/2 PVC Reducer Coupling
CHP1x3/4RD	1x3/4 PVC Reducer Coupling



BLACK PIPE & ACCESSORIES

ITEM	DESCRIPTION
DIBPN-1	½ in. x Close
DIBPN-2	½ x 1 ½ in. Nipple
DIBPN-3	½ x 2 in. Nipple
DIBPN-5	½ x 3 in Nipple
DIBPN-6	½ x 3 ½ in. Nipple
DIBPN-7	½ x 4 in Nipple
DIBPN-8	½ x 4-1/2 in Nipple
DIBPN-9	½ x 5 in. Nipple
DIBPN-10	½ x 5 ½ Nipple
DIBPN-11	½ x 6 in Nipple
DIBPN-18	¾ in. x Close
DIBPN-19	¾ x 1 ½ in. Nipple
DIBPN-20	¾ x 2 in. Nipple
DIBPN-21	¾ x 2 ½ in. Nipple
DIBPN-22	¾ x 4 in Nipple
DIBPN-23	¾ x 3 ½ in. Nipple
DIBPN-24	¾ x 4 in. Nipple
DIBPN-25	¾ x 4 ½ in. Nipple
DIBPN-26	¾ x 5 in. Nipple
DIBPN-28	¾ x 6 in Nipple
DIBPN-35	1 in. x Close
DIBPN-37	1 x 2 in. Nipple
DIBPN-39	1 x 3 in. Nipple
DIBPN-41	1 x 4 in. Nipple
DIBPN-43	1 x 5 in. Nipple
DIBPN-45	1 x 6 in. Nipple



GAS CONNECTOR

DIDC20-3131-24	1/2OD,3/8IDMXM 24in
DIDC20-3131-18	1/2OD,3/8IDMXM 18in
DIDC20-3131-36	1/2OD,3/8IDMXM 36in
DIDC20-3131-48	1/2OD,3/8IDMXM 48in
DIDC30-3132-24	5/8OD,1/2IDMXF 24in
DIDC30-3132-18	5/8OD,1/2IDMXF 18in
DIDC30-3132-48	5/8OD,1/2IDMXF 48in
DIDC30-3132-36	5/8OD,1/2IDMXF 36in

ITEM	DESCRIPTION
DIBPF-01	½ in. 90-Degree Elbow
DIBPF-02	¾ in. 90-Degree Elbow
DIBPF-03	1 in. 90-Degree Elbow
DIBPF-04	½ in. 45-Degree Elbow
DIBPF-05	¾ in. 45-Degree Elbow
DIBPF-06	1 in. 45-Degree Elbow
DIBPF-07	½ in. 45-Degree Elbow
DIBPF-08	¾ in. Coupling
DIBPF-09	1 in. Coupling
DIBPF-10	¾ x ½ in. Reducer Coupling
DIBPF-11	1 x ½ in. Reducer Coupling
DIBPF-12	1 x ¾ in. Reducer Coupling
DIBPF-13	½ in. Street Elbow
DIBPF-14	¾ in. Street Elbow
DIBPF-16	½ in. Tee
DIBPF-17	¾ in. Tee
DIBPF-18	1 in. Tee
DIBPF-20	¾ x ½ x ½ in. Reducer Tee
DIBPF-21	¾ x ½ x ¾ in. Reducer Tee
DIBPF-22	¾ x ½ in. Hex Bushing
DIBPF-23	1 x ½ in. Hex Bushing
DIBPF-25	½ in. Cap
DIBPF-26	¾ in. Cap
DIBPF-27	1 in. Cap
DIBPF-28	½ in. Plug
DIBPF-29	¾ in. Plug
DIBPF-31	½ in. Union
DIBPF-32	¾ in. Union
DIBPF-33	1 in. Union
DIBPF-34	1 x ½ in. Reducer Tee
DI92-4242	GB Valve 3/4x3/4 FIP
DI92-3232	GB Valve 1/2x1/2 FIP

LEAK LOCK & THREAD SEALANT

MR 93799	Leak Lock
RS25431	No. 5 Pint

STEEL SPRING MOUNTINGS AND HOUSINGS

TYPES BE & CE-1 HOUSINGS (BASE MOUNT)

Item	Type	Spring Size
VMBE-H	BE	C50-C370
VMCE-1-H	CE-1	D120-D1360



TYPE ASC & ASCB HOUSING (BASE MOUNT)

Item	Type	Spring Size
VMASC-H	ASC	C50-C370
VMASCB-H	ASCB	C50-C370



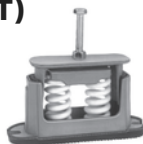
ASC



ASCB

TYPE CE-2 Housing (BASE MOUNT)

Item	Type	Spring Size
VMCE-2-H	CE-2	D510-D1360



TYPE HS Housing (HANGING)

Item	Type	Spring Size
VMHS-1C-00	HS	C50-C370
VMHS-1D-00	HS	D120-D1360

TYPE HRS HOUSING (HANGING)

Item	Type	Spring Size
VMHRS-1C-00	HRS	C50-C370
VMHRS-1D-00	HRS	D120-D1360



TYPE HS SPRINGS

Spring Number	Spring Color	Size	Max Load (lbs.)
VMHS-1B-20	Blue	2-1/2"	20
VMHS-1B-35	Black	2-1/2"	35
VMHS-1B-50	Red	2-1/2"	50
VMHS-1B-70	Green	2-1/2"	70
VMHS-1B-85	Gray	2-1/2"	85



TYPE HRS SPRINGS

Spring Number	Spring Color	Size	Max Load (lbs.)
VMHRS-1B-20	Blue	2-1/2"	20
VMHRS-1B-35	Black	2-1/2"	35
VMHRS-1B-50	Red	2-1/2"	50
VMHRS-1B-70	Green	2-1/2"	70
VMHRS-1B-85	Gray	2-1/2"	85

UNIVERSAL SPRINGS CHART

Spring Number	Spring Color	Size	Max Load (lbs.)
TIC-50	BLUE	2 3/4"	50
TIC-100	TAN	2 3/4"	100
TIC-150	RED	2 3/4"	150
TIC-250	BLACK	2 3/4"	250
TIC-370	YELLOW	2 3/4"	370
TID-120	BLACK	4"	120
TID-175	BLUE	4"	175

Spring Number	Spring Color	Size	Max Load (lbs.)
TID-250	YELLOW	4"	250
TID-340	RED	4"	340
TID-510	BLACK	4"	510
TID-675	PURPLE	4"	675
TID-900	GREEN	4"	900
TID-1200	GRAY	4"	1200
TID-1360	WHITE	4"	1360

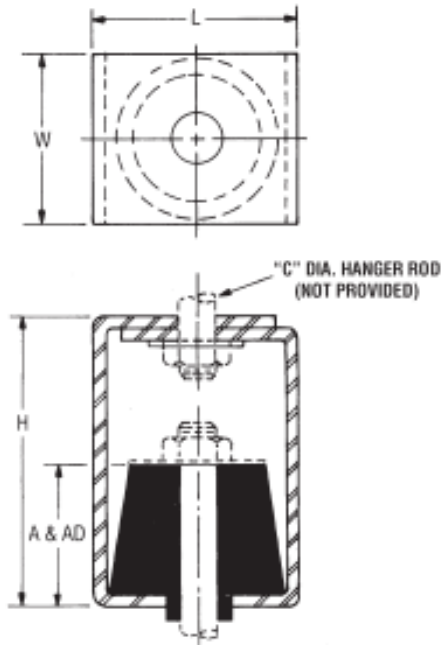


NEOPRENE-IN-SHEAR MOUNTINGS

HANGING STYLE

ITEM	Max Load	Type
VMHR-A-35	35 lbs	HR-A
VMHR-A-45	45 lbs	HR-A
VMHR-A-75	75 lbs	HR-A
VMHR-A-120	120 lbs	HR-A
VMHR-B-170	170 lbs	HR-B
VMHR-B-240	240 lbs	HR-B
VMHR-B-380	380 lbs	HR-B

Type	L	W	H	A*	AD*	C
HR-A	2 1/4"	2"	3"	1 1/8"	1 3/8"	3/8"
HR-B	3"	2 1/4"	4 1/2"	1 3/8"	1 7/8"	5/8"

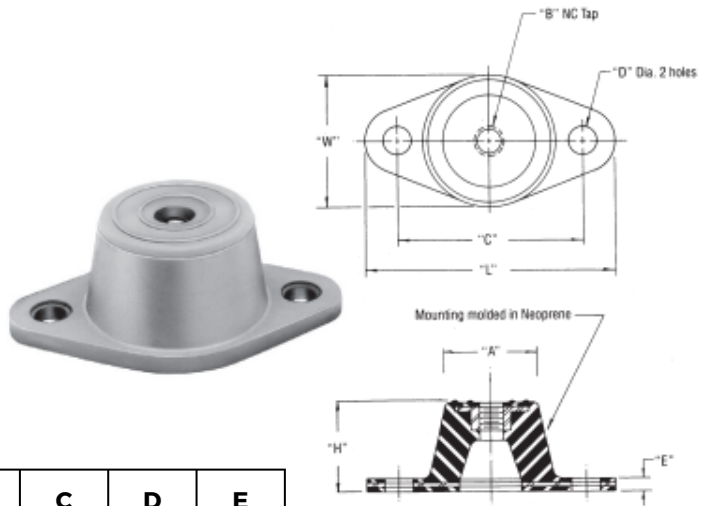


BASE MOUNT STYLE

ITEM	Max Load (lbs.)	Type
VMR-1-BLUE	35 lbs	R-1
VMR-1-BLACK	45 lbs	R-1
VMR-1-RED	70 lbs	R-1
VMR-1-GREEN	120 lbs	R-1

ITEM	Max Load (lbs.)	Type
VMR-3-BLACK	250 lbs	R-3
VMR-3-RED	525 lbs	R-3
VMR-3-GREEN	750 lbs	R-3
VMR-3-GRAY	1100 lbs	R-3

ITEM	Max Load (lbs.)	Type
VMR-2-BLUE	135 lbs	R-2
VMR-2-BLACK	170 lbs	R-2
VMR-2-RED	240 lbs	R-2
VMR-2-GREEN	380 lbs	R-2



Type	L	W	H	A	B	C	D	E
R-1	3 1/8"	1 3/4"	1"	1 1/4"	5/16"	2 3/8"	11/32"	3/16"
R-2	3 7/8"	2 3/8"	1 1/4"	1 3/4"	3/8"	3"	11/32"	7/32"
R-3	5 1/2"	3 3/8"	1 3/4"	2 1/2"	1/2"	4 1/8"	9/16"	1/4"

ELECTRICAL SUPPLIES

ITEM	DESCRIPTION
DIED-CR15	Duel Element Fuse - 15A
DIED-CR20	Duel Element Fuse - 20A
DIED-CR25	Duel Element Fuse - 25A
DIED-CR30	Duel Element Fuse - 30A
DIED-CR35	Duel Element Fuse - 35A
DIED-CR40	Duel Element Fuse - 40A
DIED-CR45	Duel Element Fuse - 45A
DIED-CR50	Duel Element Fuse - 50A
DIED-CR60	Duel Element Fuse - 60A
DI5033	Alligator Clips R/B Ins
DI5035	Alligator Clips Copper
DI6370	Black & White Heat Shrink Tubing, 12ct.
DIPI320	Split Bolt Connector, 25ct.
DIPI321	Romex Conn. 3/8x1/2, 8ct.
DIPI328	Romex Conn.3/8inx1/2
DIPI301	Conduit Nip.,1/2in,Off 2 pk
DIPI303	Conduit Nip.,1/2x2in 2 pk
DIPI312	BX Set Screw Connector, 8ct.
DIPI315	BX Connector 90, 3 pk
DIPI330	Ele. Staple,Plastic 50 pk
DIPI360	Box galv. Steel 4in x 2-1/8
DIPI361	Box galv. Steel 4in x 2-1/8
DIPI362	Box Galv. Steel 1900 4x4
DIPI363	Box Galv. Steel 1900 4x4x2-1
DIPI368	Sw/Dup Rec Cover
DIPI371	Blank Flat Galv. Cover
DIPI381	Utility Fuse Outlet
DI6185	Terminal Block 20A 10 pos
DI6183	Terminal Block 20A 6 pos
DI5041	Low Voltage Hook Test Leads
DI5036	Test Clip B&R In Steel
DI5002	Crimp Tool
DIEM480	In-Line Fuse Holder
DI60251	Slip-On F 12-10 Non-Ins, 26ct.

DIED-AT3	3 Amp Blade Fuse, 10ct.
DIED-AT5	5 Amp Blade Fuse, 10ct.
DIED1232	Toggle Switch D.P. 30A
DIED1238	Toggle Switch S.P. 20A
DIED1262-2	Toggle Switch D.P. 15A
DIED270	Receptacle,Duplex
DIED273CX	Ele Staple,Ins.Cpr. 5/8L x 1/4W
DIED2867	Armored Plug
DIED2887	Armored Connector
DIED320	Grommet Asst.
DIED447	Bat Handle Switch
DIED453	Toggle Switch Bat Handle
DIED455	Bat Handle Switch Metal DPST
DIED468	Toggle Switch Bat Hndl SPDT
DIED494	Bat Handle Switch Metal DPDT
DIED877	Duplex Receptacle
DI6413	Round Head Bolts, 18ct.
DI6500A	Hex Nuts, asst. size #6-32, #8-32, #10-32, 23ct. of each
DI6503	Hex Nut 3/8in-16
DI6501	Hex Nut 1/4in-20, 60ct.
DI6702	Flat Washer
DI6704	Flat Washer, 37ct.
DI6722	Flat Washer, 20ct.
DI6724	Fender Washer
DIHC5410	Hose Clamp 9/16-1-1/8, 6ct.
DIHC6202	Hose Clamp 1/4-5/8, 6ct.
DIHC6203	Hose Clamp 5/16-7/8, 6ct.
DI61233LX	Slip-on M & F 16-14
DI6102	Motor Shaft Keys Large
DI6101	Motor Shaft Keys 1/8-3/16
DIDEP052	Super Glue
DI5255	Electrical Tape
DI5384	Nylon 1/2 ID Cable Clamp
DI5382	Nylon 1/4 ID Cable Clamp, 48ct.
DIJB8265	J-B Weld 2 Part Epoxy
DI6289LX	Bullet Plug & Rec 16-14 Ins, 25ct.

ELECTRICAL SUPPLIES

ITEM	DESCRIPTION
DI7101CX	Anchor Kit Yellow
DI7102CX	Anchor Kit Red
DI7103CX	Anchor Kit Blue
DI6281LX	Slip-on F 16-14 Ins, 50 ct.
DI6281	Slip-on F 16-14 Ins, 22 ct.
DI6277NX	Flag F QD 16-14 Full Ins, 25ct.
DI6276	Spr. Spade 16-14 Ins. #6 Stud, 21ct.
DI6272	Conn., Ring Ins. 16-14W #6, 22ct.
DI6270LX	Comp. Flag F. 12-8 Non-Ins, 50ct.
DI6270	Comp. Flag F. 12-8 Non-Ins, 9ct.
DI6262CX	Cable Tie, 7-1/2in 100 pk
DI6261CX	Cable Tie, 6in, Ntl 100 pk
DI6259CX	Comp. Flag F. 12-10 Non-Ins, 100ct.
DI6259	Comp. Flag F. 12-10 Non-Ins 14ct.
DI6258CX	Comp. Flag F. 16-14 Non-Ins, 100ct.
DI6258	Comp. Flag F. 16-14 Non-Ins, 17ct.
DI6257NX	Ring #8 Ins. 1/4in Stud 25 pc
DI6255LX	Spade 12-10 Ins #10 Stud, 50 ct.
DI6255	Spade 12-10 Ins #10 Stud, 17 ct.
DI6253LX	Conn. Ring Ins. 12-10W, 50ct.
DI6252LX	Ring 12-10 Ins. #10 Stud, 50 ct.
DI6252	Ring 12-10 Ins. #10 Stud, 17 ct.
DI6251LX	Slip-on F 12-10 Ins, 50 ct.
DI6251	Slip-on F 12-10 Ins, 17ct.
DI6239LX	Spr. Spade 16-14 Ins. 50 pk
DI6237	Spade 22-18 Ins. #8 Stud, 22ct.
DI6236LX	Ring 22-18 Ins. #8 Stud, 50ct.
DI6235LX	Slip-on F 22-18 Ins, 50ct.
DI6235	Slip-on F 22-18 Ins, 22ct.
DI6223LX	Dead End Conn. 18-10 Full Ins
DI6234LX	Slip-on M 16-14 Full Ins, 50ct.
DI60210	Insulated Tab Adapter 16-14, 11ct.
MR 82230	3 Amp ATC Fuse
MR 82231	5 Amp ATC Fuse

ITEM	DESCRIPTION
DI6233LX	Slip-on F 16-14 Full Ins, 50ct.
DI6232LX	Butt. Conn. Insulated 22-18, 50ct.
DI6231LX	Butt. Conn. Ins, 12-10 50 pk
DI6229LX	Slip-on F 16-14 Full Ins, 50ct.
DI6228LX	Spade 16-14 Ins. #8 Stud, 50ct.
DI6227LX	Spade 16-14 Ins. #8 Stud, 50ct.
DI6224	Flag F QD 12-10 Non-Ins, 20ct.
DI6222LX	Dead End Conn. 22-14 Full Ins, 50ct.
DI6219	Slip-on M 16-14 Ins, 22ct.
DI6218LX	Slip-on F 16-14 Ins, 50ct.
DI6218	Slip-on F 16-14 Ins
DI6217LX	Butt. Conn. Ins, 16-14 50 pk
DI6217CX	Butt. Conn. Insulated 16-14, 100ct.
DI6216LX	Ring 16-14 Ins. #10 Stud, 50ct.
DI6216	Ring 16-14 Ins. #10 Stud, 23ct.
DI6214CX	Slip-on F 16-14 Non-Ins, 100ct.
DI6213CX	Flag F QD 16-14 Non-Ins, 100ct.
DI6212	Tab Ad. Dbl. M. S. F. Non-Ins, 16 ct.
DI6211CX	Tab Ad. S.F Db M NI 100 pk
DI6211	Tab Ad. S. F Dbl M, 27 ct.
DI6296	Red Wire Connector
DI6295X	Assortment Color Wire Connector
DI6294	Yellow Wire Connector
DI6293	Orange Wire Connector, 20ct.
DI6292	Blue Wire Connectors, 25ct.
DI6291	Gray Wire Connectors, 29ct.
DI6333B	Hook up Wire 10GA Black
DI6333R	Hook up Wire 10GA Red
DI6333W	Hook up Wire 10GA White
DI6334R	Red Hook-up Wire 12GA
DI6334W	White Hook-up Wire 12GA
DI6334B	Black Hook-up Wire 12GA
DI6335B	Hook up Wire 10GA Black
DI6335R	Hook up Wire 10GA Red
DI6335W	Hook up Wire 10GA White
DIR220	Terminal Ring 16-14, 15ct.

HVAC EQUIPMENT
& ACCESSORIES

PAC'S /
DEHUMIDIFIERS /
DRIVES / STARTERS

PARTS

FANS &
ACCESSORIES

ROOF CURBS /
RAILS / PIPE
PORTALS

COMMERCIAL AIR
DISTRIBUTION

RESIDENTIAL AIR
DISTRIBUTION

LOUVERS /
BRICK VENTS

HEATERS / IAQ
& FILTRATION

DUCTWORK

SUPPLIES /
TOOLS

CLEANING & OTHER SUPPLIES

CLEANERS & ACCESSORIES

<u>Item #</u>	<u>Description</u>
RS82612	Coil Rite Evaporator Coil Cleaner
RS11050	Foam Core Coil-Condenser Cleaner
RS82644	Renewz Coil-Condenser Cleaner
RS83780	Self Rinsing Evaporator Cleaner
RS65432	Better Bubble Leak Locator
RS84391	Buz-Awf Spray
RS88312	Nickel Safe
RS88438	K.O. Dirt Blaster
DI741-003	WD-40 EZ-Reach
DIACP-10	All Purpose Cleaning Pads - 10PK
DIFAK-10	First Aid Kit 10 Unit
DIFAK-25	First Aid Kit 25 Unit
DIB-1	Brush
DI5-IG5850	Garden Hose, 5/8 x 50ft



DECON 7 QUART KIT

<u>Item #</u>	<u>D7-8001702-Kit</u>

An advanced decontamination and cleaning solution formulated to eliminate mold, bacteria, and biofilm within HVAC systems. It helps improve indoor air quality, reduce odors, and maintain cleaner, safer air handling environments.



DRAIN CLEANERS

<u>Item #</u>	<u>Description</u>
RS97091	Cleanout
RS81980	Line Shot Device
RS81981	Line Shot Cartridges (12ct)
RS61759	Open Mesh Sandcloth

METACAULK

RS66648	Metacaulk 10.3oz Fire Caulk
RS66389	Metacaulk 5 Gallon Fire Caulk

HEAT RESISTANT SILICONE

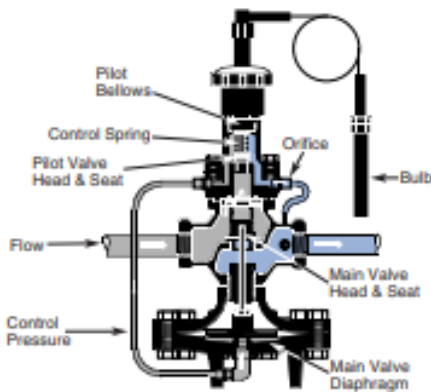
MR 93255	Heat Resistant Silicone
----------	-------------------------

FOAM

MR 93195	Fire Block Foam
MR 93267	Expanding Foam

SPIRAX SARCO PRESSURE REDUCING VALVES

25 SERIES PILOT & TEMPERATURE OPERATED REGULATORS



HOW THE 25T PILOT REGULATOR WORKS The Spirax Sarco pilot operated temperature regulator works by converting the process temperature to a force which is balanced by the control spring. This modulates a small valve head over a seat (the pilot). The flow through this seat is directed in turn to the main valve diaphragm, where it modulates the main valve. In order to achieve the most stable operating condition, the sensing bulb must be immersed entirely in the sensed medium. This allows the liquid in the bulb to expand through the capillary tubing into the bellows and throttles the pilot valve. This settles the pilot valve, allowing constant flow across the main diaphragm. When process temperature rises, the pilot valve closes, and pressure is released from the main valve diaphragm through the control orifice to close the main valve. Any variations in temperature will immediately be sensed on the bulb, which will act to adjust the position of the pilot and main valve, ensuring a constant process temperature.

HOW TO ORDER

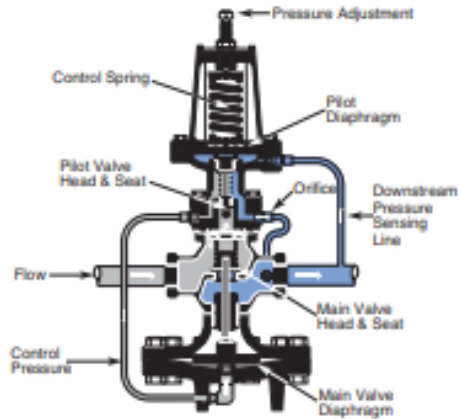
When ordering a Spirax Sarco 25T temperature regulator, include all of the following:

- Valve size by nominal pipe/flange size
- Body material of cast iron or cast steel
- Type of sensor - 25T for thermostatic regulation
- Style of thermostatic bulb
- Length of capillary tubing
- Temperature adjustment range
- Maximum steam supply pressure.

Specify low pressure pilot when inlet pressure for flanged size is 15 psig or below

- Intended application

For example: Spirax Sarco 1" Cast Iron Temperature Regulator, Type 25T-2 with 8 feet of tubing, temperature range of 120° to 180°F, 75 psig steam, for storage water heater.



HOW THE 25P PILOT REGULATOR WORKS The Spirax Sarco pilot operated pressure regulator works by balancing the downstream pressure against a control spring. This modulates a small valve head over a seat (the pilot). The flow through this seat is directed, in turn, to the main valve diaphragm, where it modulates the main valve. In order to achieve the most stable operating condition, an external pressure sensing line must be used. This allows downstream pressure to feed back to the underside of the diaphragm, balancing the spring force, causing the pilot valve to throttle. This settles the pilot valve, allowing a constant flow across the main diaphragm. This ensures that the main valve is also settled to give a stable downstream pressure. When downstream pressure rises, the pilot valve closes, and pressure is released from the main valve diaphragm through the control orifice, to close the main valve. Any variations in load or pressure will immediately be sensed on the pilot diaphragm, which will act to adjust the position of the main valve, ensuring a constant downstream pressure.

HOW TO ORDER

When ordering a Spirax Sarco 25P regulator, include all of the following:

- Valve size and connection type
- Body material, e.g. cast iron
- Set range for downstream pressure
- Steam supply pressure

For example: Spirax Sarco 1" Cast Iron Pressure Regulator, Type 25P for 150 psig inlet pressure, yellow spring for 3 to 30 psig reduced pressure, for 15 psig process heating.

SPIRAX SARCO STEAM TRAPS

TYPE TD-52 THERMO-DYNAMIC STEAM TRAPS

Type TD-52 steam traps are all stainless steel and having only one moving part and are designed with a rugged simplicity providing efficiency and reliability unsurpassed in any steam trap of its type.

ITEM	SIZE
SSTD-52-3/8IN	3/8"
SSTD-52-1/2IN	1/2"
SSTD-52-3/4IN	3/4"
SSTD-52-1IN	1"



TYPE F&T FLOAT AND THERMOSTATIC STEAM TRAPS

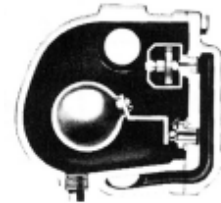
Type F & T traps provide immediate and continuous discharge of condensate, air and non-condensables from a steam system as soon as they reach the trap.

ITEM	TYPE	SIZE
SSFT-15-3/4IN	FT-15	3/4"
SSFT-15-1IN	FT-15	1"
SSFT-15-1-1/4IN	FT-15	1 1/4"
SSFT-15-1-1/2IN	FT-15	1 1/2"
SSFT-15-2IN	FT-15	2"

ITEM	TYPE	SIZE
SSFT-30-3/4IN	FT-30	3/4"
SSFT-30-1IN	FT-30	1"
SSFT-30-1-1/2IN	FT-30	1 1/2"
SSFT-30-2IN	FT-30	2"

ITEM	TYPE	SIZE
SSFT-125-3/4IN	FT-125	3/4"
SSFT-125-1IN	FT-125	1"

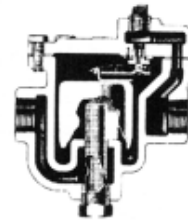
ITEM	TYPE	SIZE
SSFT-75-3/4IN	FT-75	3/4"
SSFT-75-1IN	FT-75	1"
SSFT-30-1-1/2IN	FT-75	1 1/2"



TYPE B INVERTED BUCKET STEAM TRAPS

Type B traps provide high discharge capacities and quick action, made possible by the use of large valves and the Sarco Camlift mechanism.

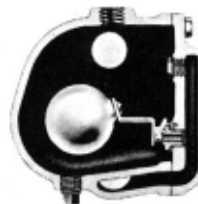
ITEM	TYPE	SIZE
SSB1H-125-3/4IN	B1-H-125	3/4"
SSB2-125-3/4IN	B2-125	3/4"



TYPE FA FLOAT OPERATED DRAIN TRAPS

Type FA traps provide an automatic and continuous discharge which modulates with the liquid flow to efficiently remove condensate, or any unwanted liquid, from a compressed air or other pressurized gas system.

ITEM	TYPE	SIZE
SSFA-150-3/4IN	FA-150	3/4"



Please call the Greensboro warehouse or your Hoffman & Hoffman salesman for information on any non-stocked sizes or other Sarco products. Factory shipments for most items is less than two weeks.

PLEASE CALL GREENSBORO WAREHOUSE @ (800) 334-0254

SPIRAX SARCO PRESSURE REDUCING VALVES

25 SERIES PILOT & TEMPERATURE OPERATED REGULATORS

Efficient, reliable and accurate, no other regulator contains as many quality features as the 25 Series. Whether it is used for regulating temperatures, pressure, or both, it is responsive and exact. Designed with the user in mind, it is more versatile than any regulator available to the industry

PRESSURE PILOT

ITEM	Pressure Pilot Type	Downstream Pressure
SS25P-YELLOW	25-P YELLOW	3-30 psig
SS25P-BLUE	25-P BLUE	20-100 psig
SS25P-RED	25-P RED	80-250 psig



MAIN VALVE

ITEM	Main Valve Type	Size
SS25-1/2IN	25	1/2"
SS25-3/4IN	25	3/4"
SS25-1IN	25	1"
SS25-1-1/4IN	25	1-1/4"
SS25-1-1/2IN	25	1-1/2"
SS25-2IN	25	2"



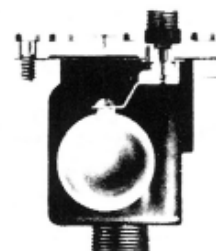
TEMPERATURE PILOT

ITEM	Temperature Pilot Type	Temperature Range
SST2/100-160F	T2	100-160 Deg F
SST2/120-180F	T2	120-180 Deg F
SST2/160-220F	T2	160-220 Deg F

TYPE 13WS AIR ELIMINATORS

Type 13WS air eliminators are for water heating and cooling systems. The body is cast iron; the float mechanism, float, valve and seat are stainless steel.

ITEM	SIZE
SS13W-3/4IN	3/4"



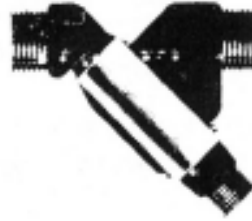
ONLY AVAILABLE IN GREENSBORO
SEE NEXT PAGE FOR PRODUCT INFORMATION AND INSTRUCTIONS

SPIRAX SARCO MISCELLANEOUS EQUIPMENT

TYPE IT PIPELINE STRAINERS

Type IT cast iron screwed strainers are for steam, gasses or liquids. Heavy-duty body is cast-iron reinforced with external rib for maximum strength. Standard screen is 20 mesh type 304 stainless steel.

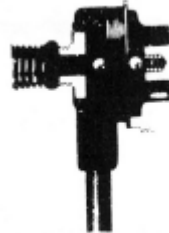
ITEM	SIZE
SSIT-3/8IN	3/8"
SSIT-1/2IN	1/2"
SSIT-3/4IN	3/4"
SSIT-1IN	1"
SSIT-1-1/4IN	1 1/4"
SSIT-1-1/2IN	1 1/2"
SSIT-2IN	2"



TYPE T-202 AND TYPE VS-204 THERMOSTATIC AIR VENTS

Type T-202 has brass body and stainless steel internal parts. Type VS-204 has cast iron body and stainless steel internal parts.

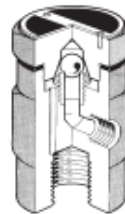
ITEM	TYPE	SIZE
SST-202-3/8IN	T-202	3/8"
SSVS-204-1/2IN	VS-204	1/2"



TYPE VB14 AND VB21 VACUUM BREAKER

The VB14 and VB21 are designed to admit air to condensing vapor (steam) or liquid systems where vacuum formation may inhibit system drainage or operation.

ITEM	TYPE	SIZE
SSVB14-1/2IN	VB14-Brass	1/2"
SSVB21-1/2IN	VB21-Stainless	1/2"



Please call the Greensboro warehouse or your Hoffman & Hoffman salesman for information on any non-stocked sizes or other Sarco products. Factory shipments for most items is less than two weeks.

PLEASE CALL GREENSBORO WAREHOUSE @ (800) 334-0254

POWER TOOLS & ACCESSORIES



ITEM	DESCRIPTION
DCK2051D2	20V MAX XR DD ATOMIC IMPACT COMBO KIT
DCF870B	20V 1/4IN IMPACT DRIVER HYDRAULIC BARE TOOL
DCF845B	20V MAX XR IMPACT DRIVER BARE TOOL
DCD805D2	20V XR COMPACT HD KIT
DCV581H	20V MAXWET/DRY VAC AC/DC
DCS356B	20V MAX XR BRUSHLESS TOOL
DCE450D1	20V MAX COPPER SWAGE TOOL
DCB118	20V/60V Max Fan Cooled Rapid Charger
DCB205	20V Max XR5 Premium Battery
DCBP034-2	20V Max Compact Battery (2-PK)
DCBP034	20V Max Powerstack Compact Battery
DCD708B	20V Max Compact Brushless Drill
DCD708C2	20V Max Compact Brushless Drill Kit
DCE512B	20V Max Jobsite Fan
DCF680N1	8V Max MAC Screwdriver 1 Battery Kit
DCF850B	20V Max Atomic Impact Driver Base
DCF850P1	20V Max Atomic Impact Drive-5AH
DCK278C2	20V Max Compact Brushless Drill/Impact Combo
DCF923B	20V Max Compact 3/8IN Impact Wrench Bare Tool
DCL077B	Cordless Task Light
DCL050	20V Max Handheld Task Light
DCR010	12V/20V Max Worksite Bluetooth Speaker
DCS354B	20V Max Brushless Oscillating Tool
DCS369B	20V Max Brushless Compact Recip Saw
DCS377B	20V Max Atomic 1-3/4IN Bandsaw Tool Only
DCS571B	20V Max 4-1/2IN Cordless Circular Saw
DWHT66719	DEWALT 4V CORDLESS 15PC SET
DWHT81424	200 Lumen AAA Headlamp
DWADEND-2	2 PC Reversible Nut Driver Set
DWA3HLD1PH2-15	15pc 1 IN Phillips #2 set w/ Holder
DWA3HLDITX25-15	15pc 1 IN TORX-25 set w/ Holder
DWA2T35IR	35 PC Impact Ready Driver Set
DWADND-5	5PC DRIVER SET
DWADENEXT-2	1/4+5/16, 3/8+7/16 REVERSE NUTDRIVER



HVAC EQUIPMENT
& ACCESSORIES

PACKS /
DEHUMIDIFIERS /
DRIVERS / STARTERS

PARTS

FANS &
ACCESSORIES

ROOF CURBS /
RAILS / PIPE
PORTALS

COMMERCIAL AIR
DISTRIBUTION

RESIDENTIAL AIR
DISTRIBUTION

LOUVERS /
BRICK VENTS

HEATERS / IAQ
& FILTRATION

DUCTWORK

SUPPLIES /
TOOLS

SHEET METAL TOOLS

LENOX

Malco®

ACCESSORIES

MPBHE10	Bit Holder Extension
MPDE18	Drill Bit
MPDE30	Drill Bit
MPMSCH1	5/16" and 3/8" Hex Driver
MPMSHXL1	5/16" and 3/8" 6" Hex Driver
MPMSHC	1/4" and 5/16" Hex Driver
MPMSHXL	1/4" and 5/16" 6" Hex Driver
MPMSHCST	1/4" and 5/16" Sawtooth Hex Driver
MPMSHXLST	1/4" and 5/16" 6" Sawtooth Hex Driver

TUBE SLICER

MPTC400	Tube Slicer
---------	-------------

WRENCH

MPRRW316	3/16" Ratchet Wrench Insert
MPRRW3	4-Size Ratchet Wrench

TENSION/STRETCHERS

MPTY4G	Grip Tie Tensioning Tool
MPDS1	Duct Stretcher
MPDS2	Offset Duct Stretcher

FOLDING TOOLS

MP12F	12" Folding Tool (3/8" & 1")
MP18F	18" Folding Tool (3/8" & 1")
MP24F	24" Folding Tool (3/8" & 1")

HAMMER

MPSH3	18oz Hammer
-------	-------------

SCRIBERS

MP18	18" Radius Divider
MP24	24" Radius Divider

NUT, HEX, & SCREWDRIVERS

MPHHD1	1/4" Long Hex Driver
MPHHD1S	1/4" Standard Hex Driver
MPHHD1T	1/4" Stubby Hex Driver
MPHHD2	5/16" Long Hex Driver
MPHHD2S	5/16" Standard Hex Driver
MPHHD2T	5/16" Stubby Hex Driver
MPMSH14	1/4" Hex Chuck Driver
MPMSH516	5/16" Hex Chuck Driver
LXHT68000N	9-in-1 Multi-Bit Screwdriver
LX23932	9-in-1 Screwdriver
LXHT60901	6-in-1 Stubby
LXHT60902	8-in-1 Screwdriver
LXHT60903	4PC Nut Driver
LXHT60904	6-in-1 Nut Driver
LXHT60925	Extend Multi-Bit Driver



SHEET METAL TOOLS



SNIPS

MPM2001	Left Cut Snip Max 2000
MPM2002	Right Cut Snip Max 2000
MPM2005	Bulldog Snip Max
MPM2006	Left Offset Cut Snip
MPM2007	Right Offset Cut Snip
MPAVM6	Left/Offset Mini Aviation Snips
MPAVM7	Right/Offset Mini Aviation Snips
MPMC14N	14" Aluminum Combo Snips
MPM14N	14" Straight Aluminum Snips
LX22101101	Aviation Snip Left
LX22102102	Aviation Snip Right
LX22103103	Aviation Snip Straight
LX22105105	Aviation Bulldog SP
LX22206206	Offset Snip Left
LX22207207	Offset Snip Right

NOTCHER

MPN1R	13/16 Hand Notcher
MPN2R	1" Hand Notcher

SCRIBER

MPA60	Sheet Metal Scriber
-------	---------------------

LENOX HAND TOOLS

LXHT82658	Torpedo Level
LXHT90552	12" Quick Adjust Plier

PUNCH

MPSL1R	Snap Lock Metal Punch
--------	-----------------------

HAND SEAMER

MPS2R	3" Hand Seamer
MPS3R	3" Offset Hand Seamer
MPS6R	6" Hand Seamer

HOLE CUTTER

MPHC1	Metal Hole Cutter
MPHC2	Large Metal Hole Cutter
MPCB	Cutter Bit for HC1/HC2
MPHC1B	Pivot Pin Set for HC1

KNIFE/CUTTER

MPDK6S	DBL Serrated Duct Knife
MPFDC1	Flex Duct Cutter
LXHT14702	Insulation Knife
LXHT14703	Duct Knife
LX10771FLK1G	Locking Knife
LX20350GOLD5C	Blades (5pk)

SHEARS

MPTSHD	Metal Turboshear HD
MPTS1	Metal Turboshear

CRIMPER

MPC5R	5 Blade Pipe Crimper
MPC5A2	Impact Driver Combo Crimper



HVAC EQUIPMENT & ACCESSORIES
 PARTS / DEHUMIDIFIERS / DRIVES / STARTERS
 PARTS
 FANS & ACCESSORIES
 ROOF CURBS / RAILS / PIPE PORTALS
 COMMERCIAL AIR DISTRIBUTION
 RESIDENTIAL AIR DISTRIBUTION
 LOUVERS / BRICK VENTS
 HEATERS / IAQ & FILTRATION
 DUCTWORK
 SUPPLIES / TOOLS

LENOX TOOLS



HOLESAWS & ACCESSORIES

ITEM	DESCRIPTION	APPLICATION
LX3001010L	5/8" Dia (10L)	Multi-Purpose
LX3001414L	7/8" Dia (14L)	Multi-Purpose
LX3001818L	1-1/8" Dia (18L)	Multi-Purpose
LX3002222L	1-3/8" Dia (22L)	Multi-Purpose
LX3002626L	1-5/8" Dia (26L)	Multi-Purpose
LX3003232L	2" Dia (32L)	Multi-Purpose
LX3003434L	2-1/8" Dia (34L)	Multi-Purpose
LX3004040L	2-1/2" Dia (40L)	Multi-Purpose
LX3004848L	3" Dia (48L)	Multi-Purpose
LX3006666L	4-1/8" Dia (66L)	Multi-Purpose
LX1779772	2L Snap Back Arbor	Wood & Metal
LX1779670	6L Snap Back Arbor	Wood & Metal
LX1779771	Pilot Drill - 1PK	Wood & Metal
LX1779810	Pilot Drill - 1PK	Wood & Metal
LXAH378	LX 7/8 22MM Carbide Tip Hole Saw	Multi-Purpose
LXAH32	LX 2 51MM Carbide Tip Hole Saw	Multi-Purpose
LXAH9938PBM	K5LSC T2 Arbor 3.2 SNA 1/CM	-
LXAH9912PBM	K2LSC T2 Arbor 3.25SNAP 1/CM	-
LXAH99414CTPB	4 1/4IN 108MM Carbide Pilot Bit	-
LXAH9414CTPB	LX4-1/4 108MM Carbide Pilot Drill	-

STEP DRILL BITS

ITEM	DESCRIPTION	APPLICATION
LX30882VB2	1/2"-1" (VB2)	9 Hole Sizes / Metal
LX30888VB11	7/8"-1-1/8" (VB11)	2 Hole Sizes / Metal
LX30912VB12	7/8"-1-3/8" (VB12)	5 Hole Sizes / Metal
LXAH99314SPB	3 7/16IN Step Pilot Drill	-
LXAH99414SPB	4 1/4IN Step Pilot Drill	-

RECIPROCATING SAW BLADES

ITEM	DESCRIPTION	APPLICATION
LX1832118	Carbide 6"x6TPI (656RCT) - 1PK	Wood
LX1832143	Carbide 9"x6TPI (956RCT) - 1PK	Wood
LX2014224	Carbide 9"x8TPI (9108RCT) - 1PK	Metal
LXAR6110CT-1	Carbide 6"x10TPI (6110RCT) - 1PK	Cast Iron & Rebar
LXAR9110CT-1	Carbide 9"x10TPI (9110CT) - 1PK	Cast Iron & Rebar
LX20562610R	6"x10TPI (610R) - 5PK	Multi-Purpose
LX20564614R	6"x14TPI (614R) - 5PK	Metal
LX20566618R	6"x18TPI (618R) - 5PK	Metal
LX20568624R	6"x24TPI (624R) - 5PK	Metal
LX20572656R	6"x6TPI (656R) - 5PK	Wood
LX20578818R	8"x18TPI (818R) - 5PK	Metal
LX20580810R	8"x10TPI (810R) - 5PK	Multi-Purpose
LX20582956R	9"x6TPI (956R) - 5PK	Wood
LX20583110R	12"x10/14TPI (110R) - 5PK	Multi-Purpose
LX20585156R	12"x6TPI (156R) - 5PK	Wood

TBUING CUTTERS

ITEM	DESCRIPTION	APPLICATION
LX21008TC58	1/8"-5/8"	Cuts Copper, Brass, and Aluminum Tubes
LX21009TC1	1/8" - 1"	Cuts Copper, Brass, and Aluminum Tubes
LX21010TC118	1/8" - 1-1/8"	Cuts Copper, Brass, Aluminum & Thin Walled Steel Tubes
LX21011TC138	1/8" - 1-3/8"	Cuts Copper, Brass, Aluminum & Thin Walled Steel Tubes
LX21012TC134	1/8" - 1-3/4"	Cuts Copper, Brass, Aluminum & Thin Walled Steel Tubes
LX21192TCW158C2	(2pk)	Cuts Copper & Aluminum
LX21193TCW158SS2	(2pk)	Cuts Copper, Brass, Aluminum & Thin Walled Steel Tubes

WELDING PRODUCTS



TOOLS

ITEM	DESCRIPTION
UWRTB118	Crossbox Ratchet Tube Bender Set
UWUEK1	Swage & Debur Tool
UWHT44	Self Ignite MAPP Torch
UWNV1	Nitrogen Flow Indicator
UW70078	PVC Cutter
UW70074	Offset Ratchet Dual Hex Key
UW70022	Reversible Ratchet Dual Hex Key



TIPS & TWISTER KITS

ITEM	DESCRIPTION
UWMTF-5	Cap'n Hook 5 Flame 1" Braze
UWTYPE17-2	Weld Braze Tip 1/8" Weld
UWTYPE17-3	Weld Braze Tip 3/16" Weld
UWTYPE17-15	Rosebud Tip 2-5/8" Braze
UWA-3	Acetelyne Twister Tip
UWA-5	Acetelyne Twister Tip
UWA-8	Acetelyne Twister Tip
UWA-11	Acetelyne Twister Tip
UWA-14	Acetelyne Twister Tip
UWT2A-3	Acetelyne Twister Solder up to 1"
UWT2A-5	Acetelyne Twister Solder up to 1-1/2"
UWT2A-8	Acetelyne Twister Solder up to 2"
UWX4BU	B-Twister A-5 & A-14 Tip
UWKT2A8	B-Ace Twister T2A-8 Tip
UWK2A8XC	B-Ace Twister w/ 502 Stand
UWKT2A8XMCC	MC-Ace Twister w/ 512 Stand



REGULATORS

ITEM	DESCRIPTION
UWRHP400	Nitrogen Regulator
UWRHP800	800 PSI Nitrogen Regulator

EVACUATION KITS

ITEM	DESCRIPTION
UWMEBK14	Max Evac Basic Kit
UWMEPK14	Max Evac Professional Kit



OUTFITS

ITEM	DESCRIPTION
UWK100P	Centurion Weld Braze w/ 511 Stand
UWKCHP	Cap'n Hook Weld Braze w/ 511 Stand



MISCELLANEOUS

ITEM	DESCRIPTION
UWZDC24	14.1oz, Disposable Propylene Cylinders
UWFB12	Flame Barrier 12"

JB INDUSTRIES REFRIGERANT TOOLS



ITEM	DESCRIPTION
JB-A31134	Copper Adjustable 1/4" ODS x 5/16" ODF
JB-A31136	Copper Adjustable 3/8" ODS x 1/2" ODF
JB-A31138	Copper Adjustable 1/2" ODS
JB-A31142	Copper Adjustable 3/4" ODS
JB-A31144	Copper Adjustable 7/8" ODS
JB-WC-2	Climate Class Wireless Temperature Clamps
JB-LDC-4000	Combustible Gas & HC Refrigerant Leak Detector
JB-DM4-RW	4-Valve Wireless Digital Manifold
JB-LD-5000	Prowler Leak Detector
JB-DS-20000	Digital Refrigerant Scale
JB-CCLS-60	1/4"x60" Hose Set with Seal Fitting
JB-CCLE-60	1/4" x 60" Charging Hose Set
JB-CCLV-6	6" Set Hose Ball Valve
JB-CCLBV-60	1/4" x 60" Charging Hose Set W/ Ball Valves
JB-CL6HD-60	3/8" x 3/8" 60" black hoses
JB-VL-100	Velocity Rapid Evacuation Kit
JB-VL-200	Accelerator Rapid Evacuation Kit
JB-A32004	1/4" Core Tool
JB-A32008	Valve Core Torque Tool
JB-A31999	1/4" Valve Core (5PK)
JB-NFT5-4	1/4" O-ring Cap
JB-NFT5-6	3/8" O-ring Cap

ITEM	DESCRIPTION
JB-A31851	1/4" Fem SAE Swivel Nut on Run
JB-A31852	1/4" Fem SAE Swivel Nut on Branch
JB-33112RK	Secure Seal Rebuild Kit
JB-RT70017B	Replacement Wheel Cutter (2PK)
JB-RT70007B	Replacement Wheel Cutter (2PK)
JB-DVO-24	Black Gold Vacuum Pump Oil
JB-DVO-12	Black Gold Vacuum Pump Oil
JB-QC-A2L-LH	A2L Left Handed Thread Adaptor
JB-QC-A2L-LH45	A2L Left Handed Thread Adaptor - 45 Degree
JB-F6-Boost	F6 Boost Recovery Machine
JB-DV-6E	6 CFM Vacuum Pump
JB-DV-200N	7 CFM Vacuum Pump
JB-DV-340N	Beast 12 CFM Vacuum Pump
JB-25133	Zeppelin 4V Manifold & Hoses
JB-22733RRF-18	Patriot 2V Brass Manifold
JB-M2-5-410A	Standard 2V Manifold w/ hose set
JB-DV-22N	Digital Vacuum Gauge
JB-22233	Patriot Manifold for R22, 404A, & 410A
JB-A32700	1/4"x1/4" Adapter (4PK)
JB-A32701	3/8"x3/8" Adapter (4PK)
JB-A32702	1/2"x1/2" Adapter (4PK)

REFRIGERANT TOOLS



ITEM	DESCRIPTION
JB-T21126U	A.C. & Refrigeration Ratchet Wrench
JB-T21127U	Service Wrench
JB-T30600-G	Flare Size Gauge
JB-RT70015	Mini-Max Pro Tube Cutter
JB-RT70020	Rotrac Plus Tube Cutter
JB-SM-18	Solenoid Valve Operating Magnet (18mm)
JB-T2-HKA	Hex Key Adapter
JB-A32525SV	Valve Core Removal Tool
JB-M2-820	3-1/8" Illuminating Compound Gauge
JB-M2-825	3-1/8" Illuminating Pressure Gauge
JB-M2-460	2-1/2" Refrigeration Compound Gauge
JB-M2-465	2-1/2" Refrigeration Pressure Gauge

ITEM	DESCRIPTION
JB-A31002	1/8" OD Copper Tube Extension Single-Step (5PK)
JB-A31003	3/16" OD x 1/8" ID Copper Tube Extension (5PK)
JB-A31004	1/4" OD Copper Extension Tube (5PK)
JB-A31005	5/16" OD x 1/4" ID Copper Extension Tube (5PK)
JB-A31006	3/8" OD x 5/16" ID Copper Extension Tube (5PK)
JB-33112N	1/4" QC x 1/4" SAE Refrigerant Shut Off
JB-33113N	1/4" QC x 1/4" SAE Refrigerant 90 Shut Off
JB-QC-S5	5/16" Qc x 1/4" SAE Coupler
JB-QC-S45-45	5/16" QC x 1/4" SAE 45 Deg Angled Adaptor

MAGNEHELIC PRESSURE GAUGES

DWYER SERIES 2000 MAGNEHELIC GAUGES

- 1/8" NPT plugs for duplicate pressure taps
- Includes rubber tubing adapters, flush mounting lugs and necessary screws
- Use accessory A-605 to convert for use as air filter gauge

ITEM	RANGE
DW2001	0 - 1.0"
DW2002	0 - 2.0"
DW2006	0 - 6.0"
DWA-605	N/A



Available in Greensboro Only

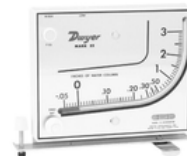
MANOMETERS

DWYER MARK II MOLDED PLASTIC MANOMETER

- Includes 8' flexible, double column, plastic tubing, 2 connector fittings for 1/8" pipe thread, mounting screws, 3/4 oz. gauge oil.

ITEM	DESCRIPTION
DW25	Manometer No. 25 - Range .05 - 3"
DWA-310	3-way vent valve (2 per gauge)
DWA-101	Red gauge oil, .826 sp. gr.

Available in Greensboro Only



REFRIGERANT TOOLS

CPS®

ITEM	DESCRIPTION
CPTLTWSM	Metric Handle and Heads/Torque Wrench Set
CPBLDTW	Digital Torque Wrench
CPTLSWH	Hex Wrench Set
CPTLSWHM	Metric Hex Wrench set
CPTMINI12	NonContact Thermometer
CPUVS2	Medium/Large Dye Cartridge
CPUV55	Dye Detection Kit
CPUVPRO	Dye Detection Light/Glasses
CPCCXHB	120v Heater Band
CPCCXHBV	240v Heater Band
CPBFT850	Flaring Tool
CPBFT850DR	Manual or Drill Flaring Tool
CPBFS300QC	Flaring/Swaging Tool Kit



ITEM	DESCRIPTION
FPSC440	Fieldpiece 400 AMP Clamp Meter
FPSC640	400 AMP Swivel Clamp Meter
FPSC680	600 AC/DC Swivel Clamp Meter
FPSM380V	Fieldpiece SM380V Manifold- 2 Valve
FPSM480V	Fieldpiece SM480V Manifold- 4 Valve
FPVP87	Fieldpiece Vacuum Pump
FPJL3KH6	Fieldpiece JL3KH6 Job Link kit- Charge and Air
FPJL3KM2	Fieldpiece JL3KM2 Job Link Kit- Dual Manometer
FPJL3KR4	Fieldpiece Job Link Charge Test Kit
FPMR45	Fieldpiece MR45 Digital Recovery Machine
FPMG44	Fieldpiece MG44 Job Link Micron Gauge
FPSR47	Fieldpiece SR47 252lb. Job Link Digital Scale



APPION TOOLS & GAS



APPION TOOLS

ITEM	DESCRIPTION
APCCT14	1/4" Core Control Tool
APCCT516	5/16" Core Control Tool
APKTMV25	Valve Core Removal Tool Rebuild Kit- 2 pack
APKTMV50	Valve Core Tool and Core Control Tool Maintenance Kit
APG5TWIN	G5 Twin Recovery Unit
APG1SINGLE	G1 Single Recovery Unit
APTEZ8	TEZ8 Vacuum Pump- 8 CFM
APSPDKIT-R	MegaFlow Recovery Speed Kit- 1/4" and 5/16" System Connections
APSPDKIT-V	MegaFlow Vacuum Speed Kit- 1/4" and 5/16" System Connections
APMGAVCR	MegaFlow Valve Core Removal Tool- 5/16"
APMGAVCT	MegaFlow Valve Core Removal Tool- 1/4"
APSPDY12	MegaFlow Speed Y- (2) 3/8" MFL to 1/2" FL
APSPDY14	MegaFlow Speed Y- (2) 3/8" MFL to 1/4" FL
ASPDY38	MegaFlow Speed Y- (2) 3/8" MFL to 3/8" FL



REFRIGERANT

ITEM	DESCRIPTION
R410A	R410a-25 lbs. Cylinder
R32	R32- 20 lbs. Cylinder
R454B	R454B- 20 lbs. Cylinder



ITEM	DESCRIPTION
ROC3340	Nitrogen 40 CU/Ft
ROCY40	Nitrogen 40 CU/Ft Tank
ROC16	Oxygen 22 CU/Ft
ROCY22	Oxygen 22 CU/Ft Tank
ROC10	Acetylene, MC 10 CU/Ft
ROCY10	Acetylene, MC 10 CU/Ft Tank

FOR EXCHANGES - SOLD WITHOUT THE TANK
IF TANK AND FILL NEEDED - BOTH PART NUMBERS TO BE BOUGHT



HVAC EQUIPMENT & ACCESSORIES

PTAC'S / DEHUMIDIFIERS / DRIVES / STARTERS

PARTS

FANS & ACCESSORIES

ROOF CURBS / RAILS / PIPE PORTALS

COMMERCIAL AIR DISTRIBUTION

RESIDENTIAL AIR DISTRIBUTION

LOUVERS / BRICK VENTS

HEATERS / IAQ & FILTRATION

DUCTWORK

SUPPLIES / TOOLS

SAFETY GLASSES & GLOVES

DISPOSABLES

ITEM	DESCRIPTION
GNX-1KL	Disposable Nitrile Gloves
GNX-1K1L	Disposable Nitrile Gloves
ASC-14K	Dispoable Shoe Covers

GLASSES

ITEM	DESCRIPTION
EAS-14MKST	Black/Smoke Alias Safety Glasses
EAS-15MKRR	Black/Red Alias Safety Glasses
EAS-17DST	Camo/Smoke Alias Safety Glasses
EPM-18MKM	Black/Mirror Phant Safety Glasses
EPM-18MKP	Black/Polarized Phant Safety Glasses
EBE-18MKM	Black/Mirror Phant Safety Glasses
EBE-18MKP	Black/Polarized Phant Safety Glasses
ESE-9MB	Mirror Safety Glasses Lift Tear
ETO-14CB	Clear Safety Glasses Lift Tear
ETO-14STB	Smoke Safety Glasses Lift Tear
EQT-12KCB	Black/Clear Safety Glasses Quest
EQT-12CFCB	Black/Smoke Safety Glasses Quest
EQT-12CFSTB	Camo/Clear Safety Glasses Quest
ACE-21K	Camo/Smoke Eyewear Lanyard Lift Tear



GLOVES

ITEM	DESCRIPTION
GTA-17KKL	Tacker Glove
GTA-17KK1L	Tacker Glove
GTA-17KK2L	Tacker Glove
GTA-17KBL	Tacker Glove
GTA-17KB1L	Tacker Glove
GTA-17KB2L	Tacker Glove
GTR-17HVKL	Trader Glove
GTR-17HVK1L	Trader Glove
GTR-17HVK2L	Trader Glove
GON-17KKL	Option Glove
GON-17KK1L	Option Glove
GON-17KK2L	Option Glove
GON-17YYL	Option Glove
GON-17YY1L	Option Glove
GON-17YY2L	Option Glove
GHR-17CFBRL	Handler Glove
GHR-17CFBR1L	Handler Glove
GHR-17CFBR2L	Handler Glove
GSP-19YL	Saryarn Glove
GSP-19YXL	Saryarn Glove
GSL-19YL	Saryarn Glove
GSL-19YXL	Saryarn Glove
GPM-19KL	Palmer Glove
GPM-19KXL	Palmer Glove
G8S-6SL	8 Seconds Glove
G8S-6S1L	8 Seconds Glove
G8M-18SL	8 Seconds Multi Glove
G8M-18S1L	8 Seconds Multi Glove



SAFETY SUPPLIES & TOOL BAGS

VEST & ACCESSORIES

ITEM	DESCRIPTION
SFV-19Y	Cut Sleeve
AV5-13LL	Safety Vest
AV5-13L1L	Safety Vest
AV5-13L2L	Safety Vest
AVV-10LL	Safety Vest
AVV-10L1L	Safety Vest
AVV-10L2L	Safety Vest



HEAD PROTECTION & ACCESSORIES

ITEM	DESCRIPTION
HDF-15WG	DAX Fiber Resin Full Brim
HDF-15KG	DAX Fiber Resin Full Brim
HDS-21BK	DAX Chin Strap
HBFC-7W	Briggs Full Brim
HBFC-7Y	Briggs Full Brim



TOOL BAGS

ITEM	DESCRIPTION
VPP10083	XL- Tool Pouch
VPP10023	Large Meter Pouch
VPP10074	3 Pocket Tool Pouch
VPP10077	4 Pocket Tool Pouch
VPP10088	XXL Tool Pouch
VPP10066	Small Tool Backpack
VPP10070	Large Tool Backpack
VPP10068	Tech Large Tool Bag
VPP10061	Open Top Tool Bag
VPP10021	Tall Meter Bag
VPP10060	Compact/Tall Tool Bag
VPP10221	Large Wheel Backpack Tech



KNEE PROTECTION

ITEM	DESCRIPTION
KKM-16K	Kneeling Mat
KP2-0K	Pivotal - 2 Knee Guard
KAX-0K	Apex Gel Knee Guard
KAH-15K	Apex Gel Knee Guard - Hardshell



Our Story



Since 1947, Hoffman & Hoffman has been helping customers design, build, and maintain high-performing HVAC systems. Founded by Harry and Louis Hoffman, our family of companies has grown to serve technicians, contractors, engineers, and building owners across the Southeast with dependable solutions in HVAC system design, building automation, and service.

With more than 75 years of industry experience and a legacy built on integrity, service, and getting it right the first time, we've earned the trust of customers by delivering smart, reliable solutions for every project. In 2016, the Hoffman Family of Companies became 100% employee-owned—further deepening our commitment to exceptional customer service and long-term partnerships.

Today, we operate five companies across six states, connecting customers with top-tier manufacturers and the industry's best sales engineers and support teams. After years of serving our customers from our Greensboro Warehouse, we expanded with the launch of Hoffman Parts & Warehouse, LLC in 2023 - a dedicated HVAC distributor offering a full range of commercial and residential equipment, parts, and supplies to keep your projects running smoothly and on time.

Wherever you are in the Southeast, we're here to help you get the job done right.

TERMS AND CONDITIONS

04/25

“Hoffman” shall mean Hoffman Parts & Warehouse, LLC, and its officers, employees, and agents. “Buyer” shall mean the person or entity entering into this Agreement with Hoffman to purchase parts or goods. Sale is of parts or goods only, and without limitation, no installation, removal or repair labor is provided or included in the purchase price.

- 1. Controlling Terms & Conditions:** This Agreement, upon Buyer’s acceptance, is limited to the terms and conditions stated herein, despite any additional or conflicting terms and conditions contained in any purchase order, any other document presented by Buyer, or any contract document between Buyer and any third-party (i.e. owner, other contractor, etc.), all of which additional or conflicting terms are hereby rejected by Hoffman. No waiver of, or modification to, these Terms and Conditions shall be valid unless made in writing and signed by an authorized representative of Hoffman. Hoffman salespeople are not authorized to waive or modify any Terms and Conditions. The terms of any written proposal / quote made by Hoffman (“proposal”) and these Terms and Conditions of Sale (“Hoffman’s Terms and Conditions”) shall constitute the entire agreement of the parties.
- 2. Acceptance:** Any Hoffman proposal expires if not accepted by Buyer within thirty (30) days from the date of the proposal. After acceptance but prior to shipment, prices are at all times subject to escalation due to increased costs. Cost increases may result from, but are not limited to, tariffs, taxes, manufacturer price increases, government regulations, etc. Typographical and clerical errors in quotations, orders and acknowledgments are subject to correction. Buyer is deemed to have accepted any Hoffman proposal, including these Terms and Conditions, when Buyer either (a) receives and retains an acknowledgment from Hoffman without written objection within ten (10) days, (b) accepts delivery of all or any part of the goods ordered, (c) provides to Hoffman delivery dates, shipping instructions, or other instructions evidencing acceptance, or (d) otherwise executes or assents to any proposal or these Terms and Conditions. Buyer’s acceptance shall be deemed subject solely to Hoffman’s terms and conditions. If Buyer’s acceptance is expressly conditioned upon Hoffman’s acceptance or assent to terms and/or conditions other than those stated herein, return or acknowledgment of such order by Hoffman with Hoffman’s Terms and Conditions attached or referenced serves as Hoffman’s notice of objection to, and rejection of, Buyer’s terms and as Hoffman’s counter-offer to provide goods in accordance with the Hoffman proposal and Hoffman’s Terms and Conditions. If thereafter Buyer does not reject or object in writing to Hoffman within ten (10) days by written notice to Legal@hoffman-hoffman.com, Hoffman’s counteroffer will be deemed accepted by Buyer. In any event, Buyer’s acceptance of all or any part of any goods ordered will constitute Buyer’s acceptance of Hoffman’s proposal subject to Hoffman’s Terms and Conditions.
- 3. Terms of Payment / Taxes:** Payment is due net thirty (30) days from the date of each Hoffman invoice to Buyer. Interest at the rate of 1 1/2% per month (or the highest interest rate allowed by applicable law, if lower) may be charged after the 30-day period until payment is received. Hoffman accepts credit card payments. If Buyer chooses to pay by credit card, Buyer is subject to an additional convenience fee of 3.0% of the total amount paid by credit card. Buyer shall pay all costs of collection incurred by Hoffman including, but not limited to, reasonable attorneys’ fees, collection fees, and court costs. Hoffman may suspend all further services and transactions (regardless of their status) without liability if Buyer’s account is more than thirty (30) days past due or if Buyer’s credit, in the sole judgment of Hoffman, is impaired at any time. Partial invoices may be submitted for any portion of completed work and/or delivered materials. While risk of loss passes to Buyer, Hoffman will have a purchase-money security interest in all goods (including any accessories and substitutions) purchased under this Agreement to secure payment in full of all amounts due Hoffman, and the underlying proposal, together with these Terms and Conditions, form a security agreement (as defined by the UCC). Buyer shall keep all goods purchased under this Agreement free of all taxes and encumbrances, shall not remove said goods from their original installation point and shall not assign or transfer any interest in said goods until all payments due Hoffman have been made. The purchase-money security interest granted herein attaches upon Hoffman’s acceptance or acknowledgment of this Agreement and Buyer’s receipt of said goods, but prior to installation. Buyer will have no rights to set off against any amounts which become payable to Hoffman under this Agreement or otherwise. Notwithstanding any Buyer form or document to the contrary, Hoffman shall not release any rights to make a lien and/or bond claim, or other claim for damages, in connection with goods purchased until Hoffman has obtained payment in full for such goods and any damages. Furthermore, Buyer is responsible to pay in full for the goods provided by Hoffman regardless of whether such goods are funded for Buyer pursuant to any extraneous contract and/or by an applicable project owner or contractor. Unless otherwise agreed by Hoffman in writing, Buyer shall pay to Hoffman, in addition to the contract price, all sales, use, excise, privilege or other taxes imposed by any local, state or federal taxing authority payable in connection with the goods furnished.
- 4. Shipments / Claims:** All shipments of goods are at Buyer’s risk, f.o.b. factory, or if shipped from another location, f.o.b. point of shipment, with charges either allowed, added to invoice, or collected as noted. Any claims for damage or shortage or loss in transit must be filed by Buyer against the applicable carrier. If requested, Hoffman will reasonably assist the Buyer when making its claim for damages and/or losses while in transit. Claims against factory shortages will not be considered unless made within sixty (60) days after Buyer’s receipt of the goods.
- 5. Approval:** Hoffman shall not be liable in any way should any third party (such as a project architect, engineer, owner, etc.) fail to accept or approve equipment purchased or ordered by Buyer. Hoffman cannot guarantee to meet or equal specifications written around another make of equipment different than that purchased by Buyer.
- 6. Warranties and Liability:** Upon Hoffman’s receipt of payment in full for all amounts owed, under this Agreement, and unless otherwise specifically agreed to in writing by Hoffman, Hoffman extends to Buyer the manufacturer’s warranty (a copy of which is available upon request), and manufacturer’s warranty is in lieu of any warranties contained in any applicable project contract, conditions, plans, or specifications. **HOFFMAN ITSELF MAKES NO OTHER WARRANTIES, EXPRESS OR IMPLIED, AS TO ANY MATTER WHATSOEVER, INCLUDING, WITHOUT LIMITATION, THE CONDITION OF THE EQUIPMENT, ITS MERCHANTABILITY, IMPLIED WARRANTIES OF DESIGN OR FITNESS FOR A PARTICULAR PURPOSE. HOFFMAN SHALL HAVE NO LIABILITY FOR ANY DIRECT DAMAGES BY REASON OF FAILURE OF THE EQUIPMENT TO OPERATE OR FAULTY OPERATION OR MISUSE OF THE EQUIPMENT, AND UNDER NO CIRCUMSTANCES SHALL HOFFMAN BE LIABLE TO BUYER OR TO ANY THIRD PARTY FOR ANY INDIRECT, INCIDENTAL, CONSEQUENTIAL, SPECIAL, PUNITIVE, EXEMPLARY OR LIQUIDATED DAMAGES OR LOSSES, INCLUDING BUT NOT LIMITED TO, LOSS OF USE, INCOME, PROFIT OR PRODUCTION, LOST DATA, SPOILAGE, DELAY, OR INCREASED COST OF OPERATION. SAID EXCLUSIONS APPLY EVEN IF HOFFMAN HAS BEEN ADVISED OF SUCH POSSIBLE DAMAGES OR IF SUCH POSSIBLE DAMAGES WERE REASONABLY FORESEEABLE.** Buyer acknowledges that Hoffman is not responsible for the design of goods purchased and that Hoffman does not participate in any project design in connection with such goods. Manufacturer specifications and designs are subject to change without notice. When applicable, for goods containing motor-compressor, furnaces, etc., Buyer must supply manufacturer with a start-up / registration form within the time required by the manufacturer.
- 7. Limitation of Remedy:** Hoffman shall have no liability for any damage caused by negligence, accident, misuse, improper storage, improper installation, improper service, maintenance or operation of equipment by Buyer or any third party. To the extent Hoffman is liable to Buyer under any legal theory (whether under warranty, negligence, strict liability or contract), Buyer’s sole and exclusive remedy is limited to one of the following, which Hoffman shall elect in its sole and absolute discretion: (a) repair or replacement of purchased equipment or its parts by Hoffman or its duly authorized representative or (b) refund of the purchase price. In no event shall Hoffman’s liability exceed the purchase price paid by Buyer under this Agreement, and Buyer waives all other remedies at law or in equity. Furthermore, Buyer waives any claim with respect to quantity or quality of goods purchased, unless Buyer notifies Hoffman in writing within ten (10) days of the date Buyer discovered, or by reasonable inspection should have discovered, the basis for such claim. Under no event shall Hoffman owe any duty or have any obligation whatsoever to any customer or client of Buyer or to any other third party.
- 8. Hazards:** Hoffman is not responsible for the identification, detection, abatement, encapsulation or removal of hazardous substances, such as (without limitation) asbestos, products or materials containing asbestos, mold, fungi, mildew, or bacteria. At all times now and in the future, Hoffman takes no responsibility for and makes no representations or warranties concerning any existing or future hazardous substance or condition (i.e., mold) or the remedy or prevention thereof.
- 9. Indemnification:** To the fullest extent permitted by law, Buyer shall indemnify, hold harmless and defend Hoffman and its officers, employees and agents from and against all claims, demands, liabilities, suits, judgments, awards, or expenses of any kind (including reasonable attorneys’ fees and costs incurred defending such claims or demands, regardless of whether they result in legal action or are prosecuted to final judgment or award), which result or arise from Buyer’s purchase, installation, or use of goods provided by Hoffman. To the fullest extent permitted by law, the obligations of defense and indemnification set forth herein shall be binding upon Buyer no matter what the nature of the claim asserted may be (whether it be for negligence, warranty, strict liability, or otherwise) and shall be binding even if Hoffman is alleged or proven to have acted negligently; provided, however, that Buyer shall have no obligation to provide indemnification to Hoffman if the claim asserted arises in negligence and is finally adjudicated to have arisen solely from the negligence of Hoffman. Buyer shall also indemnify and hold harmless Hoffman from all liability for taxes owing in connection with Buyer’s purchase of goods. The obligations and rights to indemnify herein shall not negate, abridge or reduce other such rights or obligations under law. This Agreement does not require Buyer to indemnify Hoffman for Hoffman’s own negligent or intentional acts or omissions to the extent that doing so would violate applicable law. Buyer and Hoffman jointly authorize and request any court or arbitrator considering the enforceability of this paragraph to re-write this paragraph so that it requires Buyer to defend, indemnify, and hold Hoffman harmless to the fullest extent permitted by applicable law.
- 10. Claims Resolution / Governing Law:** Unless Hoffman elects otherwise, all claims and disputes between Buyer and Hoffman arising out of or relating to performance of any agreement or breach thereof must be decided by binding arbitration in accordance with the Construction Industry Arbitration rules of the American Arbitration Association (AAA). Demand for Arbitration must be filed in the regional office of the AAA closest to Greensboro, North Carolina, and the filing party must serve such Notice upon the other party in accordance with AAA rules. The procedural and substantive law of the State of North Carolina must apply in and to all arbitration proceedings, and Greensboro, North Carolina, is designated as the sole and exclusive venue for such proceedings. Any award arising from such proceedings shall be final and binding upon the parties and enforceable in accordance with the Federal Arbitration Act. Hoffman and Buyer agree that their transactions involve interstate commerce. This Agreement shall be governed by and construed solely in accordance with the laws of the State of North Carolina, without regard to principles of conflicts of laws. Hoffman shall have the sole and exclusive right, at Hoffman’s sole and absolute discretion, to waive the arbitration provision and to elect to litigate any claim or dispute in a court of appropriate jurisdiction. Unless Hoffman elects another court of appropriate jurisdiction in Hoffman’s sole and absolute discretion, the state courts located in Greensboro, Guilford County, North Carolina, shall be the sole and exclusive forum for any litigation between Hoffman and Buyer. Buyer consents to the jurisdiction of the state and federal courts located in Greensboro, Guilford County, North Carolina.
- 11. Delays / Penalties / Force Majeure:** Delivery dates are approximate and not guaranteed. In no event and under no circumstances whatsoever will Hoffman be liable for any damages or expenses caused by any failure or delay in making delivery of goods hereunder. No penalty clause or liquidated damages of any kind (for delays or otherwise) apply to Hoffman unless pre-approved in writing by a Hoffman officer. Furthermore, in no event and under no circumstances whatsoever will Hoffman be liable under this Agreement for any event of force majeure, including but not limited to, acts of God, riot, war, terrorism, inclement weather, labor strikes, material shortages, pandemic, and other causes beyond Hoffman’s reasonable control.
- 12. Cancellations / Returns:** If an order is canceled, the Buyer shall reimburse Hoffman for all expenses and costs incurred by Hoffman in connection with the order and its cancellation. Goods may not be returned except upon written preapproval of a representative of Hoffman, and all unauthorized returns will be denied credit. After preapproval, goods shall be returned Freight Prepaid. Hoffman shall inspect all returned goods and only issue credit for goods returned in as-sold condition with original packaging. Any credit to Buyer shall be reduced by a minimum 20% restocking charge plus any transportation charges and tariffs incurred by Hoffman for the goods. Hoffman will only consider return of stocked goods. Special order items may not be returned. No goods may be returned after 60 days.
- 13. Equal Employment Opportunity / Affirmative Action Clause:** Hoffman and Buyer shall abide by the requirements of 41 CFR 60-1.4(a), 60-300.5(a) and 60-741.5(a). These regulations prohibit discrimination against qualified individuals based on their status as protected veterans or individuals with disabilities and prohibit discrimination against all individuals based on their race, color, religion, sex, sexual orientation, gender identity or national origin. Moreover, these regulations require that covered prime contractors and subcontractors take affirmative action to employ and advance in employment individuals without regard to race, color, religion, sex, sexual orientation, gender identity, national origin, disability or veteran status.
- 14. Government Contracts:** If Buyer’s purchase of goods or services is in any way connected to any federal, state, or local government project, which implicates or utilizes any Small, Minority or Disadvantaged Business incentives or qualifications (or other similar laws or regulations), Buyer represents and certifies to Hoffman that Buyer is performing a commercially useful function on such project. Hoffman assumes no responsibility for the compliance of any quoted or sold materials or equipment with any government specifications or requirements, including, but not limited to, Federal Acquisition Regulation (FAR) requirements, unless such is specifically stated in Hoffman’s written proposal.
- 15. Trust Funds:** Buyer agrees that all funds Buyer receives that result from the materials and/or equipment furnished by Hoffman will be considered “Trust Funds.” Buyer will hold all Trust Funds in trust for the sole and exclusive benefit of Hoffman. Buyer will segregate Trust Funds from other funds. Buyer will account for all Trust Funds and deliver all Trust Funds to Hoffman. Buyer will not use Trust Funds for any purpose other than paying Hoffman.
- 16. Survival:** The terms contained herein which explicitly or by their nature are intended to survive the earlier termination or expiration of this Agreement shall survive, including, but not limited to, all indemnity obligations.

HOFFMAN PARTS & WAREHOUSE

HVAC ● EQUIPMENT ● SUPPLIES



SHOP ONLINE.



**Replacement HVAC Applied
Equipment Parts**

(800) 332-2295

(336) 252-1707/1708

Parts@hoffman-hoffman.com



Need help with commercial equipment?

Call: (980) 501-5659

Email: citydesk@hoffman-hoffman.com